

FILE NO.

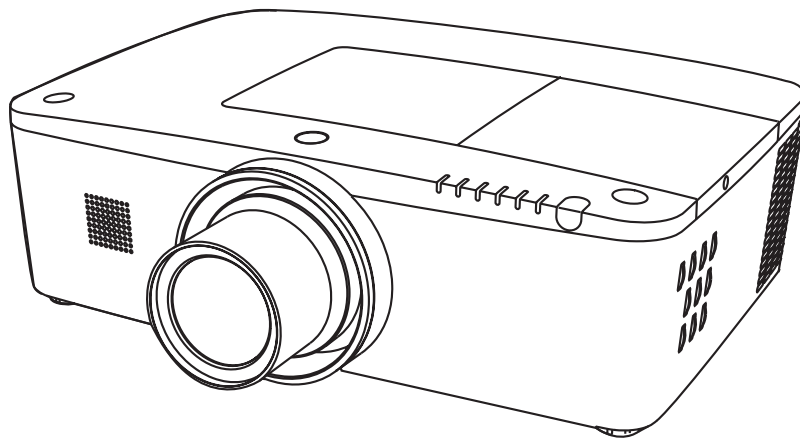
## SERVICE MANUAL

## Multimedia Projector

Model No. **PLC-XM150L**  
**PLC-XM150**  
**PLC-XM100L**  
**PLC-XM100**

U.S.A, Canada,  
Europe, U.K, Asia

Original Version



PLC-XM150L / PLC-XM100L

\* Projection lens is optional.

**Chassis No. KA8-XM150L00**  
**KA8-XM15000**  
**KZ5-XM100L00**  
**KZ5-XM10000**

Match the Chassis No. on the rating label of the projector with the Chassis No. in the Service Manual. If the Original Version Service Manual Chassis No. does not match, additional Service Literature is required. You must refer to "Notices" to the Original Service Manual prior to servicing.

### PRODUCT CODE

<b>PLC-XM150</b>	<b>PLC-XM150L</b>
1 122 499 00 (KA8A)	1 122 499 20 (KA8AL)
1 122 500 00 (LA8A)	1 122 500 20 (LA8AL)
1 122 500 02 (LA8C)	1 122 500 22 (LA8CL)

<b>PLC-XM100</b>	<b>PLC-XM100L</b>
1 122 497 00 (KZ5A)	1 122 497 20 (KZ5AL)
1 122 498 00 (LZ5A)	1 122 498 20 (LZ5AL)
1 122 498 02 (LZ5C)	1 122 498 22 (LZ5CL)


# Contents

SERVICE MANUAL .....	1	No Power (Fan control) .....	68
Contents .....	2	No Power (Lamp control) .....	69
Safety Instructions.....	3	Temperature Abnormality .....	70
Safety Precautions .....	3	No Picture.....	71
Product Safety Notice.....	3	No Sound.....	72
Service Personnel Warning.....	3	Motor control problems.....	73
Specifications .....	4	Bus control.....	74
Circuit Protections .....	5	LED drive & RC control .....	75
Fuse.....	5	Indicators and Projector Condition .....	76
Thermal protectors (SW902).....	5	Power failure detection system .....	79
Mechanical sensor switches (SW901, SW1891) .....	6	Diagnosis of Power Failure with RS-232C port .....	83
Temperature sensors, wind sensors .....	7	Serial Control Interface.....	84
Power failure and fan lock detection .....	8	Control Port Functions.....	86
Maintenance.....	9	IC Block Diagrams.....	89
Replacing the Filter Cartridge .....	9	Parts Location Diagrams.....	99
Lamp Replacement .....	11	Mechanical Parts List.....	108
How to check Lamp Used Time .....	12	Electrical Parts List.....	110
Quick maintenance.....	13	Diagrams & Drawings.....	A1
Lens Installation .....	14	Parts description and reading in schematic diagram ..	A2
Using the Lens Antitheft screw.....	15	Schematic Diagrams .....	A3
Cleaning .....	16	Printed Wiring Board Diagrams.....	A13
Cleaning the Projection Lens .....	16	Pin description of diode, transistor and IC .....	A17
Cleaning the Projector Cabinet .....	16	Note on Soldering.....	A18
Security Function Notice .....	17		
Mechanical Disassembly.....	18		
Optical Parts Disassembly .....	27		
Adjustments.....	33		
Adjustments after Parts Replacement.....	33		
Note on Main Board Replacement .....	33		
Service Adjustment Menu Operation .....	34		
Optical Adjustment .....	35		
1. Optical axis adjustment .....	36		
2. Contrast adjustment .....	40		
Electrical Adjustments.....	41		
Circuit Adjustments .....	41		
Test Points and Locations .....	45		
Service Adjustment Data Table .....	46		
Troubleshooting.....	64		
Chassis over view.....	64		
No Power.....	65		
No Power (Power supply).....	66		
No Power (Power supply).....	67		

# Safety Instructions

## Safety Precautions

### WARNING:

The chassis of this projector is isolated (COLD) from AC line by using the converter transformer. Primary side of the converter and lamp power supply unit circuit is connected to the AC line and it is hot, which hot circuit is identified with the line (  ) in the schematic diagram. For continued product safety and protection of personnel injury, servicing should be made with qualified personnel.

The following precautions must be observed.

1: An isolation transformer should be connected in the power line between the projector and the AC line before any service is performed on the projector.

2: Comply with all caution and safety-related notes provided on the cabinet back, cabinet bottom, inside the cabinet or on the chassis.

3: When replacing a chassis in the cabinet, always be certain that all the protective devices are installed properly, such as, control knobs, adjust-


ment covers or shields, barriers, etc.

**DO NOT OPERATE THIS PROJECTOR WITHOUT THE PROTECTIVE SHIELD IN POSITION AND PROPERLY SECURED.**

4: Before replacing the cabinet cover, thoroughly inspect the inside of the cabinet to see that no stray parts or tools have been left inside.

Before returning any projector to the customer, the service personnel must be sure it is completely safe to operate without danger of electric shock.

## Product Safety Notice

Product safety should be considered when a component replacement is made in any area of the projector. Components indicated by mark  in the parts list and the schematic diagram designate components in which safety can be of special significance. It is, therefore, particularly recommended that the replacement of these parts must be made by exactly the same parts.

## Service Personnel Warning

Eye damage may result from directly viewing the light produced by the Lamp used in this equipment. Always turn off Lamp before opening cover. The Ultraviolet radiation eye protection required during this servicing. Never turn the power on without the lamp to avoid electric-shock or damage of the devices since the stabilizer generates high voltages (15kV - 25kV) at its starts. Since the lamp is very high temperature during units operation replacement of the lamp should be done at least 45 minutes after the power has been turned off, to allow the lamp cool-off.

# Specifications

## Mechanical Information

Projector Type	Multi-media Projector
Dimensions (W x H x D)	PLC-XM100L/PLC-XM150L: 19.25" x 6.46" x 14.61" (489.5 mm x 164.0 mm x 371.1 mm) PLC-XM100/PLC-XM150 : 19.25" x 6.46" x 17.12" (489.5 mm x 164.0 mm x 434.8 mm)
Net Weight	PLC-XM100L/PLC-XM150L: 19.6 lbs (8.9 kg) PLC-XM100/PLC-XM150 : 21.3 lbs (9.7 kg)
Feet Adjustment	0° to 4°

## Panel Resolution

LCD Panel System	0.8" TFT Active Matrix type, 3 panels
Panel Resolution	1,024 x 768 dots
Number of Pixels	2,359,296 (1,024 x 768 x 3 panels)

## Signal Compatibility

Color System	PAL, SECAM, NTSC, NTSC4.43, PAL-M, and PAL-N
SD/HD TV Signal	480i, 480p, 575i, 575p, 720p, 1035i, 1080i and 1080p
Scanning Frequency	H-sync. 15 kHz–100 kHz, V-sync. 48 Hz–100 Hz

## Optical Information

Projection Image Size (Diagonal)	Adjustable from 40" to 400" (PLC-XM100/PLC-XM150)
Throw Distance	4.3' (1.30m) - 75.4' (22.99m) (PLC-XM100/PLC-XM150)
Projection Lens	F1.7–2.3 lens with f=26.9 mm–45.4 mm with motor zoom and focus (PLC-XM100/PLC-XM150)
Projection Lamp	PLC-XM150L/PLC-XM150: 330 W NSHA lamp PLC-XM100L/PLC-XM100: 275 W NSHA lamp

## Interface

Input 1	Digital (DVI-D) x 1, Analog (Mini D-sub 15 pin) x 1
Input 2	BNC Type x 5 (G or Video/Y, B or Pb-Cb, R or Pr-Cr, HV and V)
Input 3	RCA Type x 3 (Video/Y, Pb/Cb, Pr/Cr), Mini DIN 4 pin x 1 (S-video)
Analog Out	Analog RGB (Mini D-sub 15 pin) Terminal x 1
Audio Out	Audio (Mini Type stereo) x 1
Audio In 1/2	Audio (Mini Type stereo) x 1
Audio In 3	RCA Type x 2
R/C Jack	Mini jack (Wired Remote) x 1
Control Port	D-sub 9 pin x 1
USB Connector	USB Series B x 1
Option	PJ-Net Organizer Terminal x 1
LAN Connection Terminal	RJ45

## Audio

Internal Audio Amp	7.0 W RMS
Built-in Speaker	1 speaker, ø1.46" (37mm)

## Power

Voltage and Power Consumption	AC 100–120 V (5.2A Max. Ampere), 50/60 Hz (The U.S.A and Canada) AC 200–240 V (2.5A Max. Ampere), 50/60 Hz (Continental Europe and The U.K.)
-------------------------------	---

## Operating Environment

Operating Temperature	41°F–104°F (5°C–40°C)
Storage Temperature	14°F–140°F (-10°C–60°C)

## Remote Control

Battery	AAA or LR03 Type x 2
Operating Range	16.4' (5 m±30")
Dimensions	1.8" (W) x 1.0" (H) x 5.7" (D) (45 mm x 25 mm x 145 mm)
Net Weight	3.5 oz (99 g) (including batteries)

## Accessories

Owner's Manual (CD-ROM)	Lens Cap (for PLC-XM100/PLC-XM150)
Quick Reference Guide	Lens Mount Cover (for PLC-XM100L/PLC-XM150L)
AC Power Cord	Lens Antitheft screw *
Remote Control and Batteries	VGA Cable
USB Cable	PIN Code Label

- The specifications are subject to change without notice.
- LCD panels are manufactured to the highest possible standards. Even though 99.99% of the pixels are effective, a tiny fraction of the pixels (0.01% or less) may be ineffective by the characteristics of the LCD panels.



This symbol on the nameplate means the product is Listed by Underwriters Laboratories Inc. It is designed and manufactured to meet rigid U.L. safety standards against risk of fire, casualty and electrical hazards.

## Circuit Protections

---

This projector provides the following circuit protections to operate in safety. If the abnormality occurs inside the projector, it will automatically turn off by operating one of the following protection circuits.

### Fuse

---

A fuse is located inside of the projector. When the POWER indicator is not lighting, the fuse may be opened. Check the fuse as following steps.

The fuse should be used with the following type;

<p><b>Fuse Part No. : 323 027 2605</b> <b>TYPE T10AH 250V</b> <b>LITTEL FUSE INC. TYPE 215010</b></p>
---

### How to replace the fuse

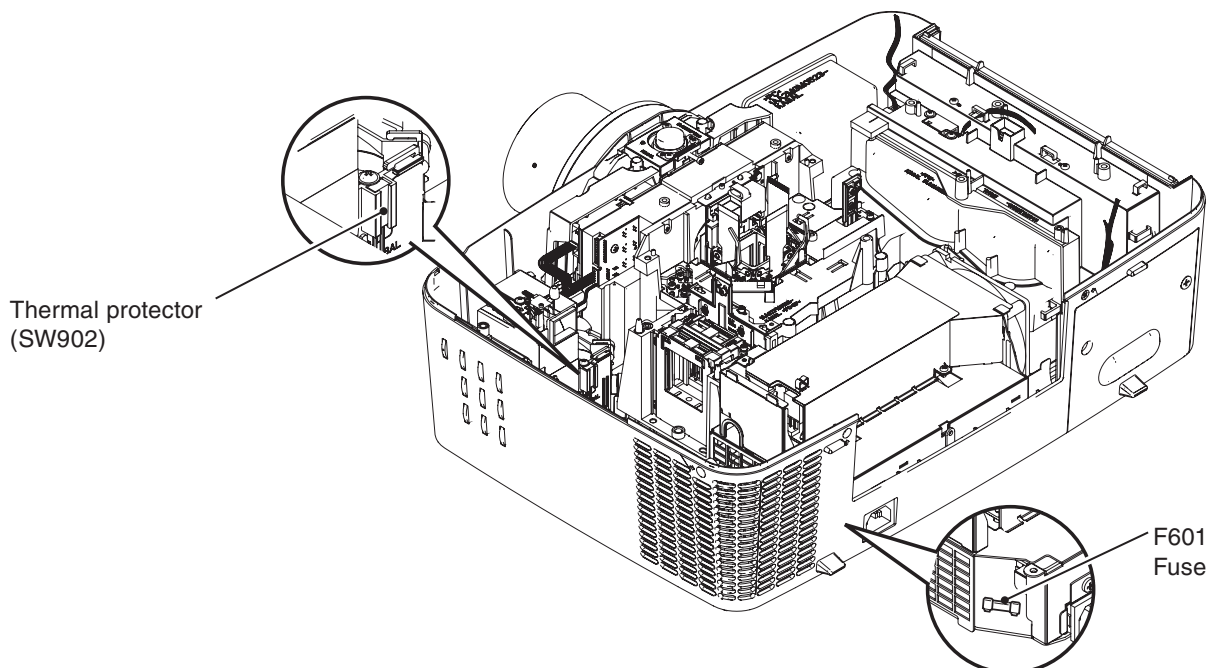
1. The fuse is placed on the power board under the main board. Remove the cabinet top and exhaust fan assy.
2. Remove the fuse from fuse holder on the power board.

### Thermal protectors (SW902)

---

There are the thermal protector (SW902) inside of the projector to detect the lamp surrounding temperature rising abnormally. When the temperature reaches near 115°C, the thermal protector cuts off the current supplied to the power supply circuit.

To reset the thermal protection function, disconnect the AC cord and leave the projector at the normal surrounding temperature for about 45 minutes. The thermal protectors will automatically reset when the internal temperature becomes normal (less than 75°C).

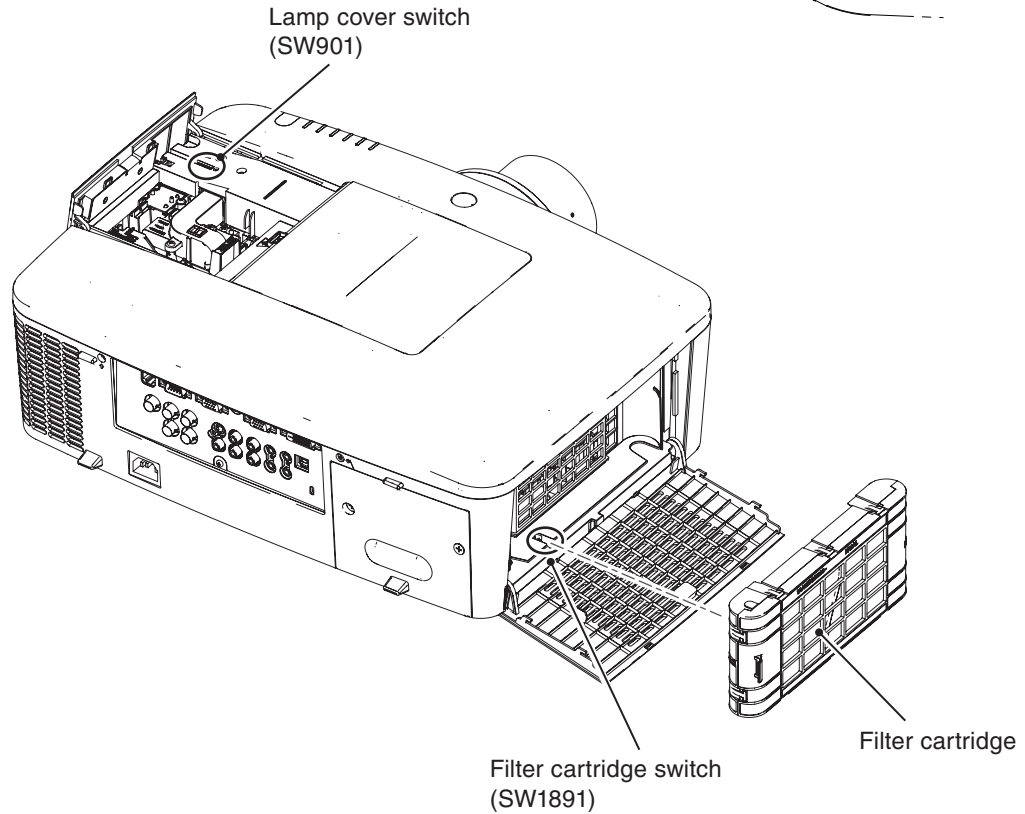
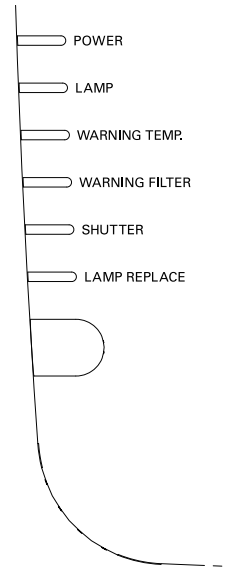


## Mechanical sensor switches (SW901, SW1891)

This projector provides 2 mechanical sensor switches, the one is for filter cartridge switch (SW1891) and the other one is for lamp cover switch (SW901). The filter cartridge switch detects whether the filter cartridge is installed correctly. If the filter cartridge is not installed correctly, the projector cannot turn on. In this case, the LAMP indicator is lighting and other indicators are blinking.

The lamp cover switch detects whether the lamp cover is closed securely. If lamp cover is opened or not closed completely, the drive signal to the lamp circuit is cut off. After opening the lamp cover for replacing the lamp ass'y, place the lamp cover correctly otherwise the projector cannot turn on. In this case, the LAMP indicator is lighting and LAMP REPLACE indicator is blinking.

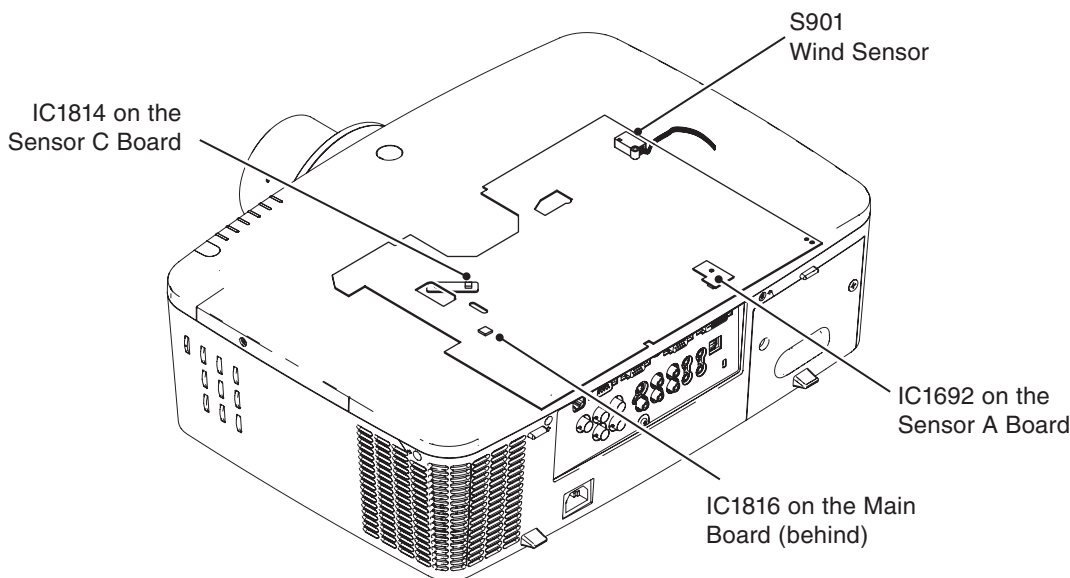
### LED indicators



## Temperature sensors, wind sensors

The projector provides 2 temperature sensor ICs, 1 thermistor, and 1 wind sensor on the intake duct. These devices are monitoring the surrounding temperature of the lamp, panel and intake duct, and the wind sensor is monitoring airflow passed through the air filter in the intake duct.

- Internal temperature sensor A (IC1692) (around the Intake duct)
- Internal temperature sensor B (IC1816) (around the lamp house)
- Internal temperature sensor C (IC1814) (around the panel/prism)
- Wind sensor D (S901) (intake duct)



**The projector is shut down and the WARNING TEMP. indicator is blinking red.**

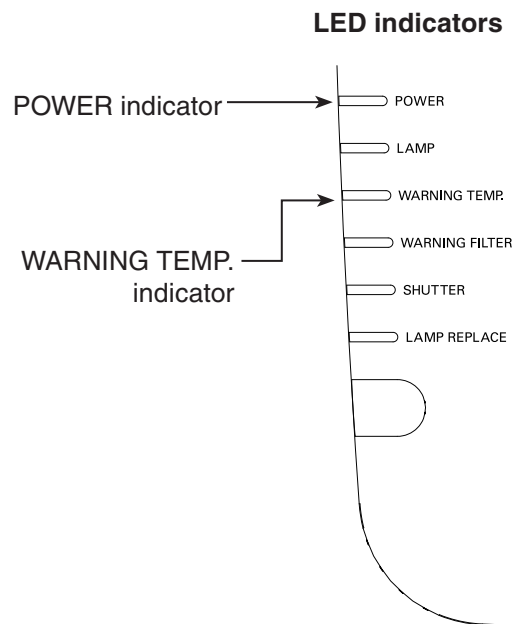
When the temperature inside the projector reaches a certain level, the WARNING TEMP. indicator starts blinking. If the temperature rises moreover, the projector will be automatically shut down to protect the inside of the projector, and the WARNING TEMP indicator is blinking fast and the POWER indicator is blinking. When the projector has cooled down enough (to its normal operating temperature), the POWER indicator stops blinking and it can be turned on again by pressing the ON/STAND-BY button.

**✓Note:**

- The WARNING TEMP. indicator continues to blink even after the temperature inside the projector returns to normal. When the projector is turned on again, the WARNING TEMP. indicator stops blinking.

**Then check the matters below:**

- Did you provide appropriate space for the projector to be ventilated? Check the installing condition to see if the air vents of the projector are not blocked.
- Has the projector been installed near an Air-Conditioning/ Heating Duct or Vent? Move the installation of the projector away from the duct or vent.
- Is the filter clean? Replace the filter with a new one.



## Power failure and fan lock detection

The projector provides the detection circuits of the power failure and the fan lock. When the detection circuit detects an error at the power supply line or at the fan operation circuit, the projector will turn into the standby mode to protect the other circuits defective.

### The projector is shut down and the LAMP indicator is lighting and other indicators are blinking.

When the projector detects an abnormal condition, it will be automatically shut down to protect the inside of the projector and the LAMP indicator lights on and other indicators blink. In this case, unplug the AC power cord and plug it, and then turn on the projector once again to verify operation. If the projector cannot be turned on and these indicators still lighting and blinking, it may operate the power failure protection function.

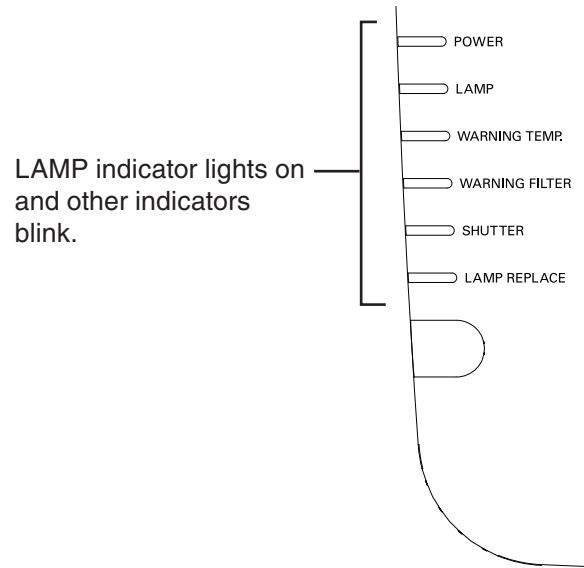
Check that the filter cartridge is installed correctly.



#### CAUTION

DO NOT LEAVE THE PROJECTOR WITH THE AC POWER CORD CONNECTED UNDER AN ABNORMAL CONDITION. IT MAY RESULT IN FIRE OR ELECTRIC SHOCK.

#### LED indicators





# Maintenance

## Replacing the Filter Cartridge

Filter prevents dust from accumulating on the optical elements inside the projector. Should the filter becomes clogged with dust particles, it will reduce cooling fans' effectiveness and may result in internal heat buildup and adversely affect the life of the projector. This projector has an electrically operated filter which helps you to replace the filter easily. The projector monitors the condition of the filter at all time and replaces a filter with a new one automatically when it detects the clogging.

If the projector detects that the filter is clogged and no scroll is left in the filter cartridge, a Filter cartridge replacement icon appears on the screen and the WARNING FILTER indicator on the top panel lights up. When you see this icon, replace the filter cartridge and reset the Filter counter and the Scroll counter.

- 1** Turn off the projector, and unplug the AC power cord from the AC outlet.
- 2** First, clean up the dust on the projector and around the air vents.
- 3** Press ▼ downwards on the filter cover to release the latch and open the filter cover.
- 4** Pull out the filter cartridge. When taking out the filter cartridge, put your finger on the filter cartridge's tab and then pull.
- 5** Put the new one back into the position and close the filter cover. Make sure that the filter cartridge is properly and fully inserted.
- 6** Connect the AC power cord to the projector and turn on the projector.
- 7** **Reset the filter counter and the scroll counter.** See next page.



### CAUTION

Make sure the filter cartridge is inserted in the projector. If the filter cartridge is not inserted, the projector cannot be turned on. Make sure the filter cover is closed when using the projector. Do not put anything into the air vents. Doing so may result in malfunction of the projector.

### RECOMMENDATION

**We recommend avoiding dusty/smoky environments when operating the projector. Usage in these environments may cause a poor image quality.**

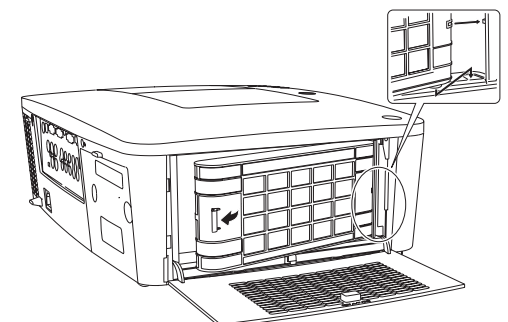
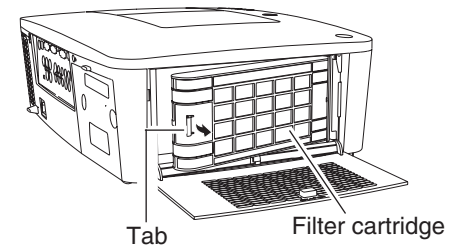
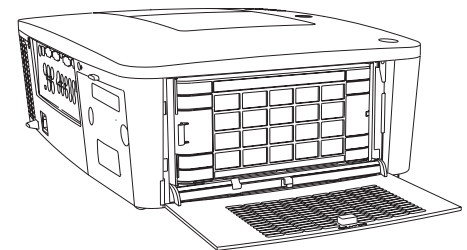
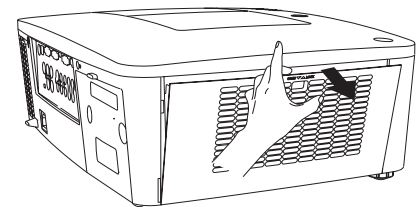
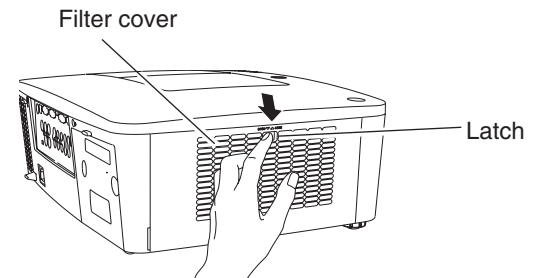
When using the projector under dusty or smoky conditions, dust may accumulate on a lens, liquid crystal panels, or optical elements inside the projector. Such condition may degrade the quality of the projected image.

When the symptoms above are noticed, contact your authorized dealer or service station for proper cleaning.

### **ORDER REPLACEMENT FILTER CARTRIDGE**

**Type No. POA-FIL-080**

**Service Parts No.: 610 346 9034**

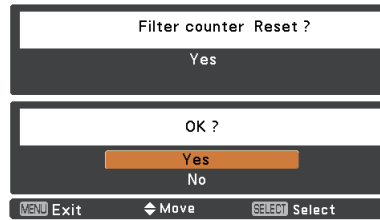
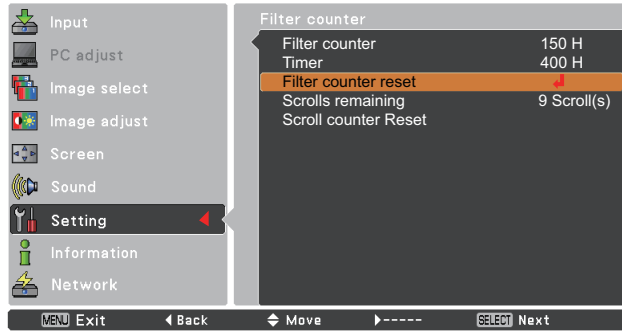


## Resetting the Filter Counter

Be sure to reset the Filter counter after replacing the filter cartridge.

- 1 Press the MENU button to display the On-Screen Menu. Use the Point ▲▼ buttons to select **Setting** and then press the Point ► or the SELECT button
- 2 Use the Point ▲▼ buttons to select **Filter counter** and then press the SELECT button. Use the Point ▲▼ buttons to select **Filter counter Reset** and press the SELECT button. **Filter counter Reset?** appears. Select [Yes] to continue.
- 3 Another confirmation dialog box appears, select [Yes] to reset the Filter counter.

### Filter counter



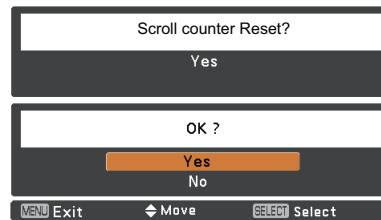
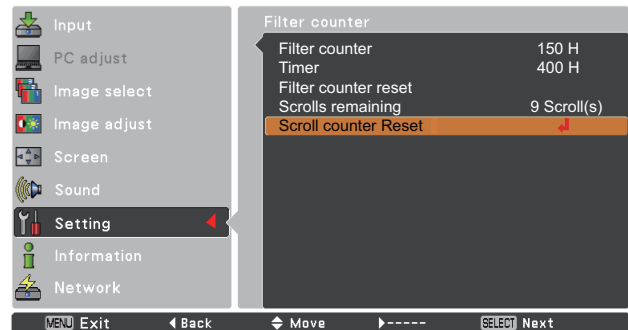
**Filter counter Reset?** appears. Select **Yes**, then another confirmation box appears. Select **Yes** again to reset the Filter counter.

## Resetting the Scroll Counter

Be sure to reset the Scroll counter after replacing the filter cartridge.

- 1 Press the MENU button to display the On-Screen Menu. Use the Point ▲▼ buttons to select **Setting** and then press the Point ► or the SELECT button
- 2 Use the Point ▲▼ buttons to select **Filter counter** and then press the SELECT button. Use the Point ▲▼ buttons to select **Scroll counter Reset** and press the SELECT button. **Scroll counter Reset?** appears. Select [Yes] to continue.
- 3 Another confirmation dialog box appears, select [Yes] to reset the Scroll counter.

### Scroll counter



**Scroll counter Reset?** appears. Select **Yes**, then another confirmation box appears. Select **Yes** again to reset the Scroll counter.

## Lamp Replacement

When the projection lamp of the projector reaches its end of life, the Lamp replacement icon appears on the screen and LAMP REPLACE indicator lights. Replace the lamp with a new one promptly. The timing when the LAMP REPLACE indicator light is depending on the lamp mode.

**Note:**

- The Lamp replacement icon will not appear when the Display function is set to “Off”, or during “Freeze”.

Follow these steps to replace the lamp.

- 1** Turn off the projector and unplug the AC power cord. Let the projector cool for at least 45 minutes.
- 2** Loosen the screw and slide the lamp cover to open it.
- 3** Loosen 3 screws of the lamp and pull out the lamp by using the built in handle.
- 4** Replace the lamp with a new one. Make sure that the lamp is properly and fully inserted.
- 5** Close the lamp cover and secure the screw.

**CAUTION**

When replacing the lamp because it has stopped illuminating, there is a possibility that the lamp maybe broken. If replacing the lamp of a projector which has been installed on the ceiling, you should always assume that the lamp is broken, and you should stand to the side of the lamp cover, not underneath it. Remove the lamp cover gently. Small pieces of glass may fall out when the lamp cover is opened. If pieces of glass get into your eyes or mouth, seek medical advice immediately.

For continued safety, replace with a lamp of the same type lamp. Do not drop the lamp or touch the glass bulb! The glass can shatter and may cause injury.

**CAUTION**

Allow a projector to cool for at least 45 minutes before you open the Lamp cover. The inside of the projector can become very hot.

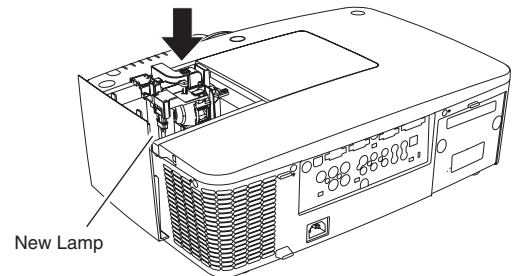
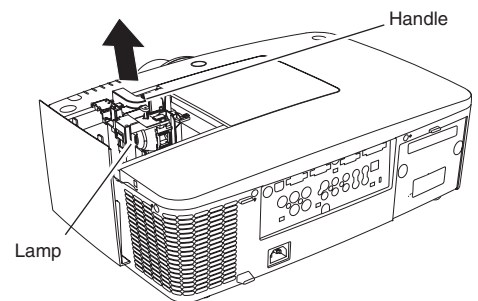
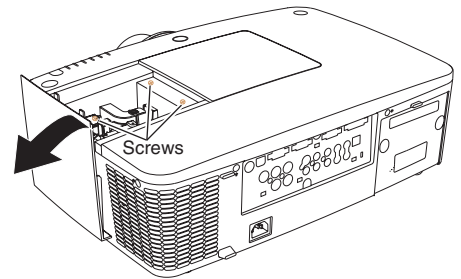
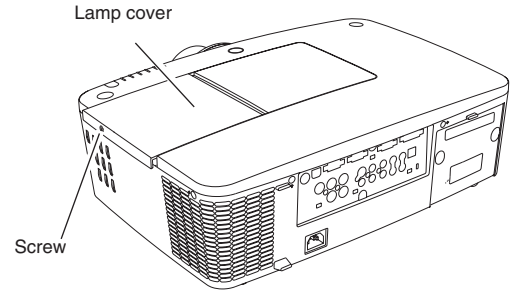
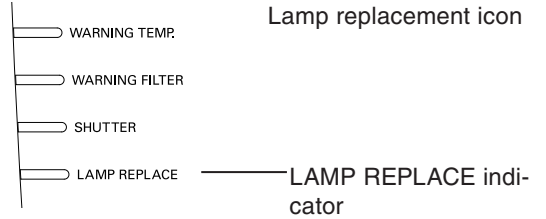
**ORDER REPLACEMENT LAMP**

Model	PLC-XM150/PLC-XM150L	PLC-XM100/PLC-XM100L
Type No.	POA-LMP136	POA-LMP137
Service Parts No.	610 346 9607	610 347 5158

**Top Panel**



Lamp replacement icon



## How to check Lamp Used Time

The LAMP REPLACE indicator will light yellow when the total lamp used time (Corresponding value) reaches 3,000 hours. This is to indicate that lamp replacement is required.

The total lamp used time is calculated by using the below expression,

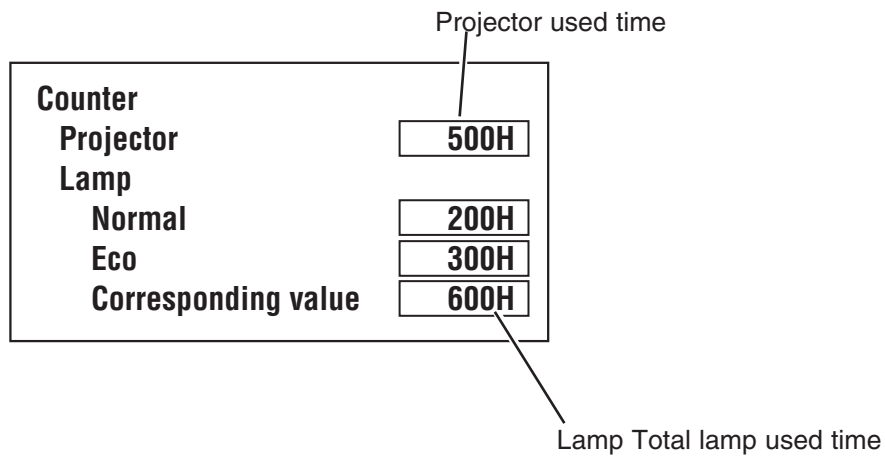
Total lamp used time (Corresponding value) =  $T_{eco} + T_{normal} \times 1.5$

$T_{eco}$  : used time in the Eco1, Eco2 and Auto mode

$T_{normal}$  : used time in the Normal mode and Auto mode

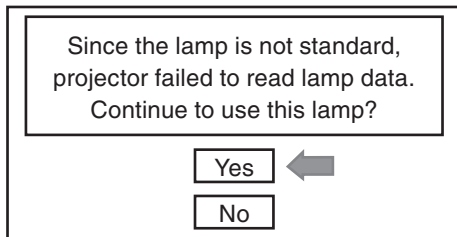
You can check the lamp used time following to the below procedure.

- 1 Press and hold the **ON/STAND-BY** button on the projector for more than 20 seconds.
- 2 The projector used time and lamp used time will be displayed on the screen briefly as follows.



## Warning Message on the non-standard lamp used

If the non-standard lamp is used, the warning and confirmation messages will appear on the screen every startup. Some of the functions are limited when the non-standard lamp is used in spite of the warning.



## Quick maintenance

This projector provides a cabinet prism cover on the cabinet top to enhance the service maintenance. This enables service personnel to align the optical adjustment or replace the optical parts without disassembly the cabinet top.

- 1** Loosen a screw-A on the lamp cover and slide it to open (Fig. 1).
- 2** Loosen a screw-B on the prism cover and slide it in the arrow direction (Fig. 2).
- 3** Loosen a screw-C and take the shutter assembly off (Fig. 3).
- 4** Loosen 3 screws-D and take the LCD Panel/Prism ass'y upward off (Fig. 4/Fig. 6).
- 5** Remove 2 screws-E on each stopper of the polarized glass ass'y and take the polarized glass ass'y upward off (Fig. 5/Fig. 6).

See chapter "Optical Parts Disassembly" for further information of the optical parts disassembly.

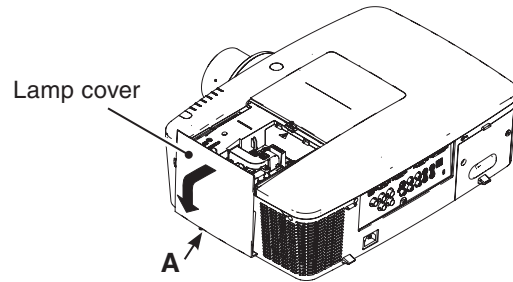


Fig. 1

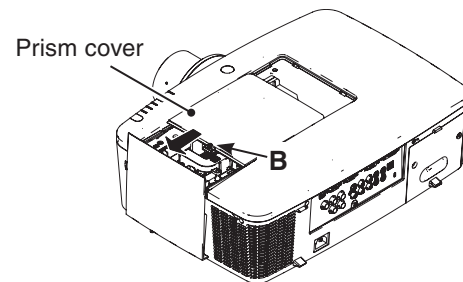


Fig. 2

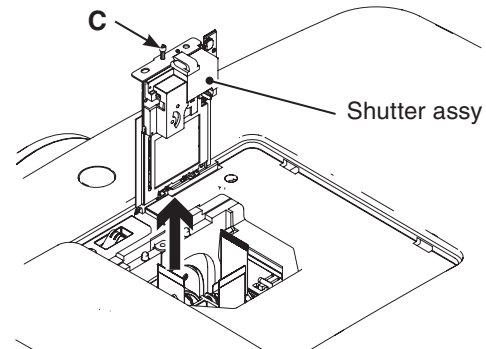


Fig. 3

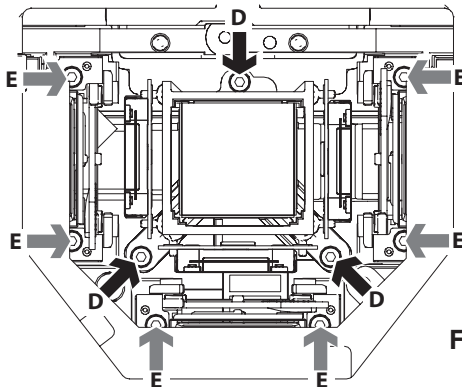
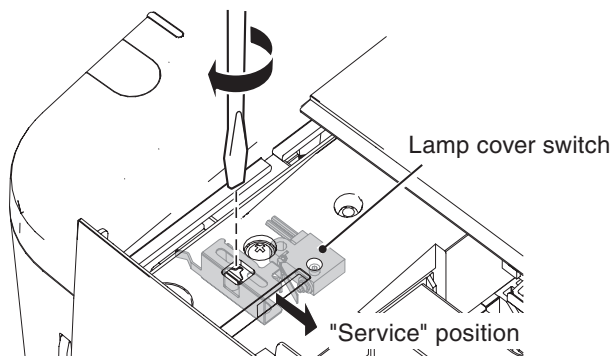


Fig. 6

### Setting the Lamp Cover switch to "Service"

When aligning the optical parts with the lamp cover open, the projector cannot be turned on because the lamp cover switch is off. Insert the flat screw driver into the opening on the switch and set the lamp cover switch to "service" position as shown in the figure below.



After finishing the alignment, make sure that the lamp cover switch is reset to its original position, and close the prism cover and lamp cover securely.

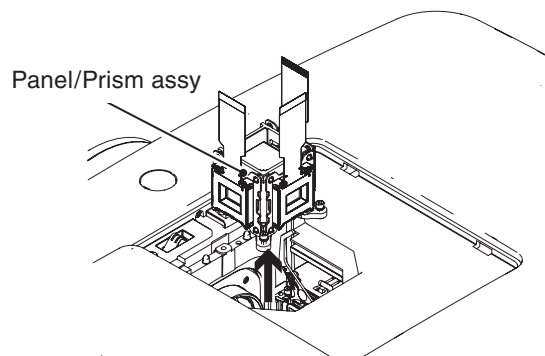


Fig. 4

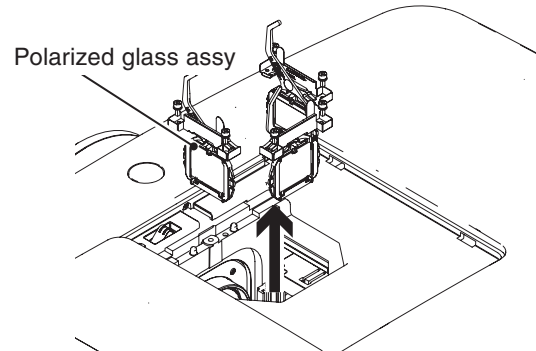


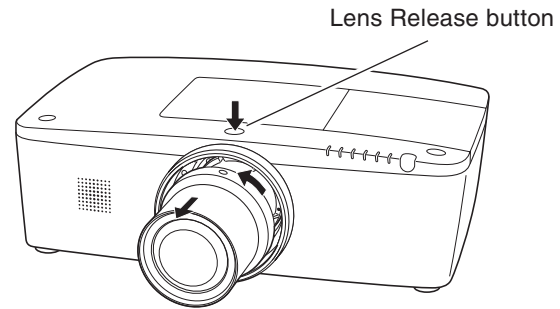
Fig. 5

## Lens Installation

When replacing the lens or using an optional lens, install the lens by following the instructions below.

### Removing the lens

- 1** Shift the lens to the center position by using the Lens shift function.
- 2** Turn off the projector and unplug the AC power cord.
- 3** While pressing the Lens release button on the top of the cabinet, turn the lens counterclockwise until it stops and pull it out slowly from the projector.

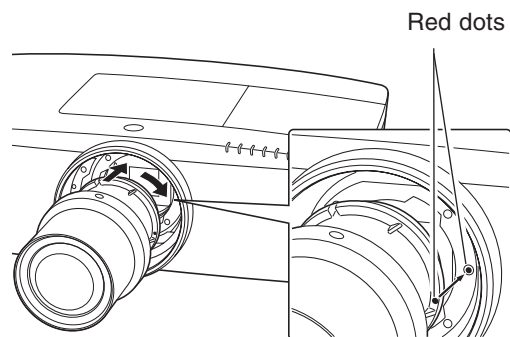


#### CAUTION

Be careful when handling the lens. Do not drop.

### Attaching the lens to the projector

- 1** Remove the lens mount cover.
- 2** Fit the lens to the projector by aligning the red dot on the lens with the red dot of the projector.
- 3** Slowly turn the lens clockwise until it clicks. Make sure that the lens is fully inserted to the projector.



#### CAUTION

Do not press the lens release button when attaching the lens.

## Using the Lens Antitheft screw

This projector provides a Lens antitheft screw to protect the projection lens stolen from a suspicious person. Mount the Lens antitheft screw by following the instructions below.

### Mounting the Lens antitheft screw

- 1** Loosen a screw-A on the lamp cover and slide it to open (Fig. 1).
- 2** Loosen a screw-B on the prism cover and slide it in the arrow direction (Fig. 2).
- 3** Insert the Lens antitheft screw onto the screw hole on the cabinet top and turn it until the lens release button is locked (Fig. 3).
- 4** Close the prism cover and tighten the screw-B, and close the lamp cover and tighten the screw-A.

Check that the lens release button is locked to protect the projection lens removing.

Note: Be careful not to drop the Lens Antitheft screw into the opening of the projector when mounting the screw.

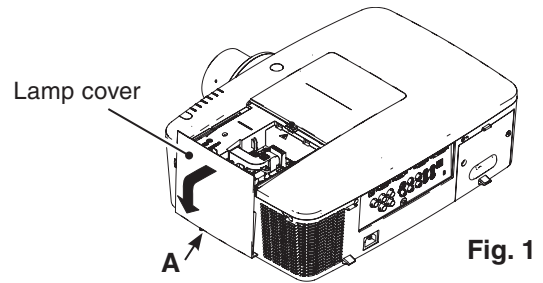


Fig. 1

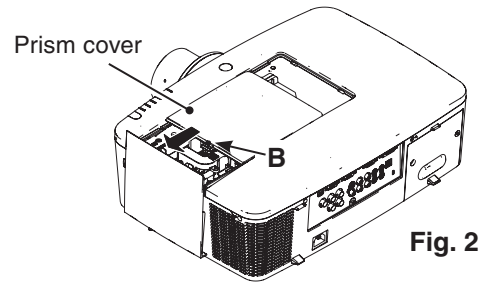


Fig. 2

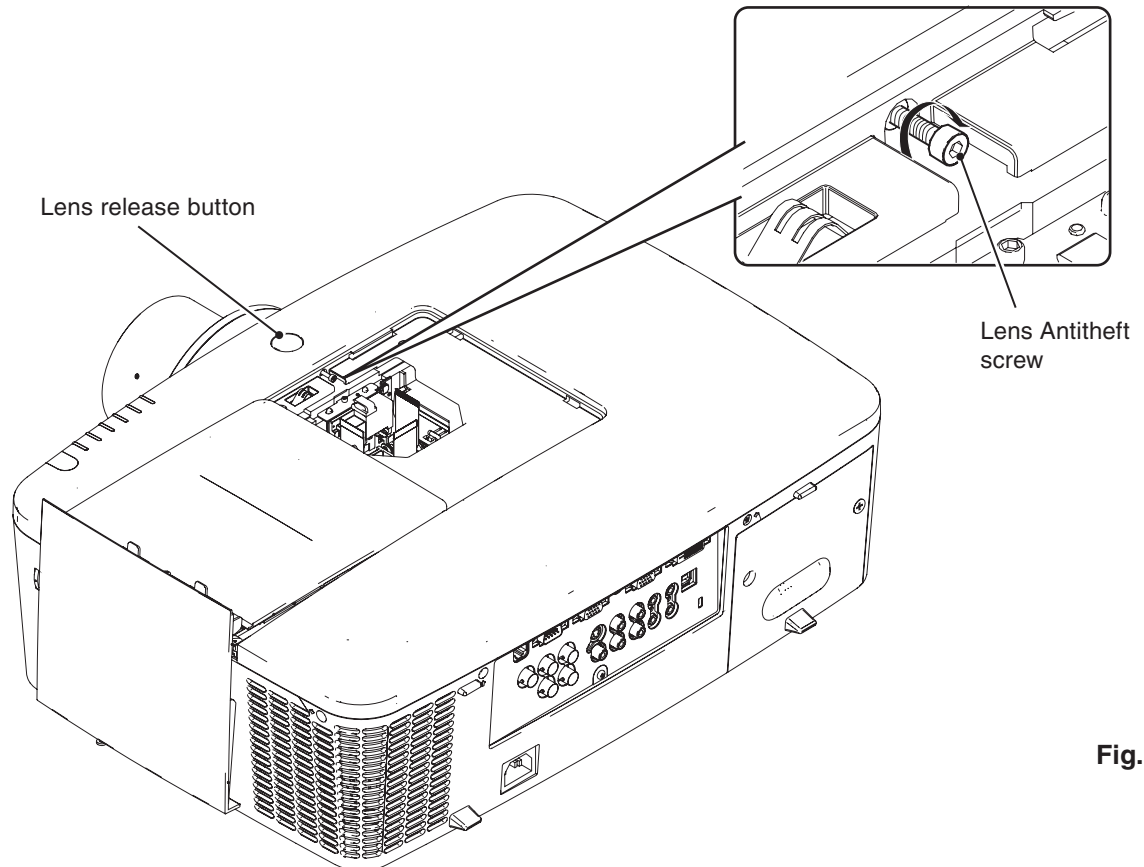


Fig. 3

## Maintenance

---

### Cleaning

---

After long periods of use, dust and other particles will accumulate on the LCD panel, prism, mirror, polarized glass, lens, etc., causing the picture to darken or color to blur. If this occurs, clean the inside of optical unit. Remove dust and other particles using air spray. If dirt cannot be removed by air spray, disassemble and clean the optical unit.

#### Cleaning with air spray

Remove the cabinet top following to “Mechanical Disassembly”. Clean up the LCD panel and polarizing plate by using the air spray from the cabinet top opening.

#### Caution:

Use a commercial (inert gas) air spray designed for cleaning camera and computer equipment. Use a resin-based nozzle only. Be very careful not to damage optical parts with the nozzle tip. Never use any kind of cleanser on the unit. Also, never use abrasive materials on the unit as this may cause irreparable damage.

#### Disassembly Cleaning

Disassembly cleaning method should only be performed when the unit is considerable dirty and cannot be sufficiently cleaned by air spraying alone.

**Be sure to readjust the optical system after performing disassembly cleaning.**

1. Remove the cabinet top and main units following to “Mechanical Disassembly”.
2. Remove the optical base top following to “Optical Unit Disassembly”. If the LCD panel needs cleaning, remove the LCD panel unit following to “LCD panel replacement”.
3. Clean the optical parts with a soft cloth. Clean extremely dirty areas using a cloth moistened with alcohol.

#### Caution:

The surface of the optical components consists of multiple dielectric layers with varying degrees of refraction. Never use organic solvents (thinner, etc.) or any kind of cleanser on these components.

Since the LCD panel is equipped with an electronic circuit, never use any liquids (water, etc.) to clean the unit. Use of liquid may cause the unit to malfunction.

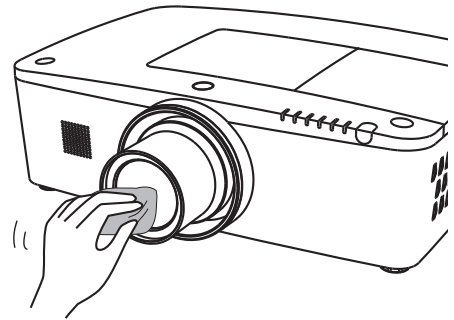
### Cleaning the Projection Lens

---

Unplug the AC power cord before cleaning.

Gently wipe the projection lens with a cleaning cloth that contains a small amount of non-abrasive camera lens cleaner, or use a lens cleaning paper or commercially available air blower to clean the lens.

Avoid using an excessive amount of cleaner. Abrasive cleaners, solvents, or other harsh chemicals might scratch the surface of the lens.



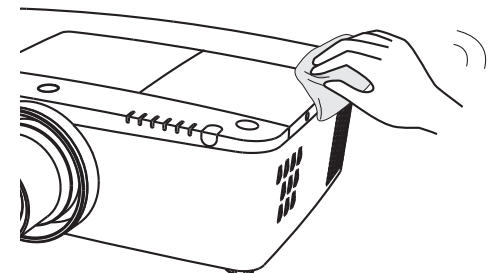
### Cleaning the Projector Cabinet

---

Unplug the AC power cord before cleaning.

Gently wipe the projector body with a soft dry cleaning cloth. When the cabinet is heavily soiled, use a small amount of mild detergent and finish with a soft dry cleaning cloth. Avoid using an excessive amount of cleaner. Abrasive cleaners, solvents, or other harsh chemicals might scratch the surface of the cabinet.

When the projector is not in use, put the projector in an appropriate carrying case to protect from dust and scratches.





## Security Function Notice

---

This projector provides security functions such as "Key lock", "PIN code lock" and "Logo PIN code lock". When the projector has set these security function on, you are required to enter correct PIN code to use the projector. If you do not know the correct PIN code to the projector, the projector can no longer be operated or started. In this case, you must reset those function first according to the resetting procedure described below and then check up on the projector.

Function	Description
<b>Key lock</b>	Locks operation of the side control or the remote control. If the Key lock is enabled with side control lock, the projector can no longer be started. <i>Initial setting: Key lock function is disabled</i>
<b>PIN code lock</b>	Prevents the projector from being operated by an unauthorized person. <i>Initial code: "1234"</i>
<b>Logo PIN code lock</b>	Prevents an unauthorized person for changing the start-up logo on the screen. <i>Initial code: "4321"</i>

### Resetting procedure

---

- 1 Disconnect the AC power cord from the AC outlet.
- 2 As pressing the **SELECT** button, connect the AC power cord into an AC outlet again.
- 3 Keep pressing the **SELECT** button and then press the **ON/STAND-BY** button.
- 4 Release the **ON/STAND-BY** button first and then release the **SELECT** button.
  - The PIN code lock and Logo PIN code lock will be reset as the initial PIN code at the factory and the Key lock function is disabled.

Please refer to the owner's manual for further information of the security functions.


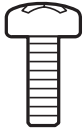
# Mechanical Disassembly

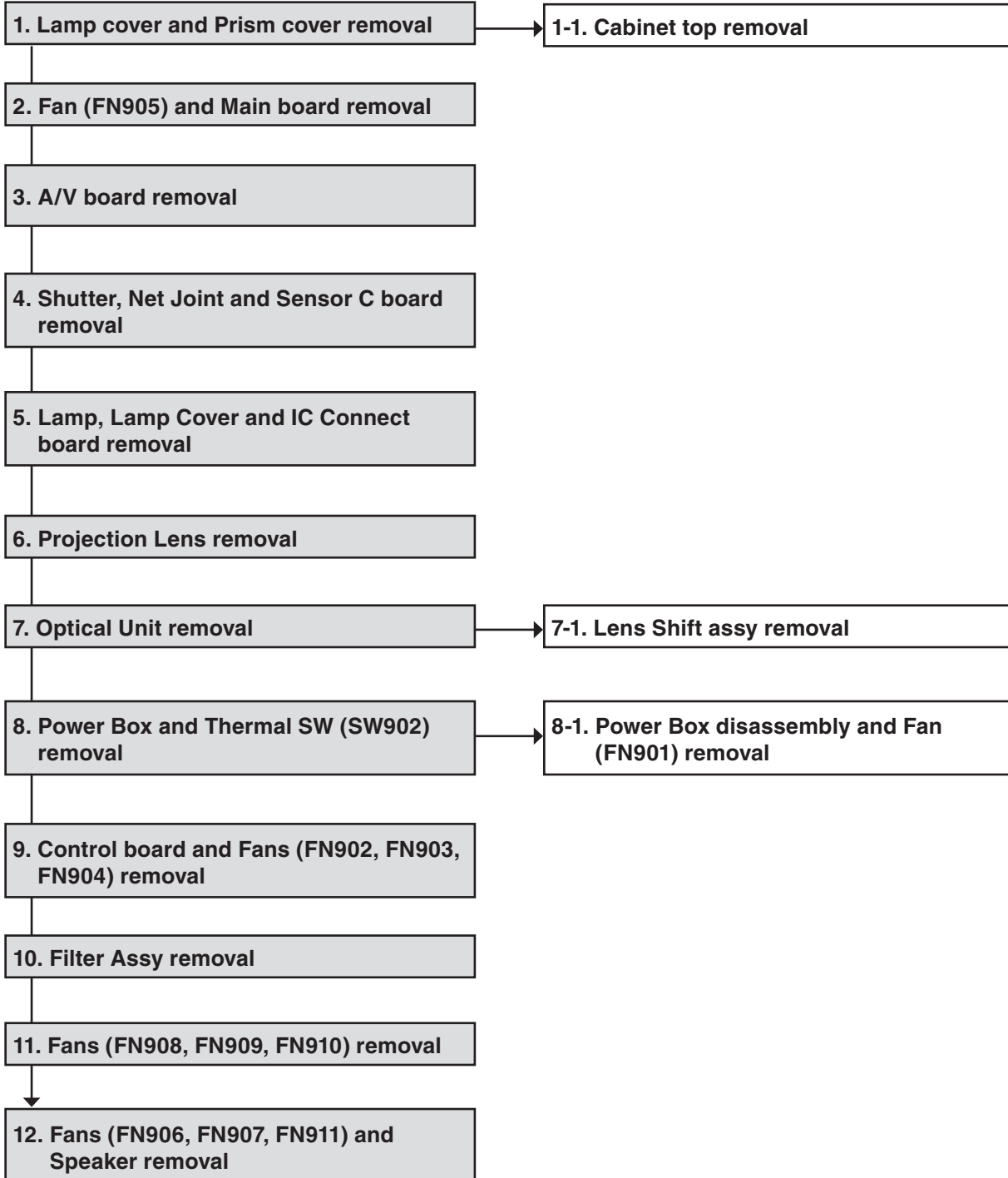
## Mechanical disassembly flow chart

Mechanical disassembly should be made by following procedures chart. Following steps show the basic procedures, therefore unnecessary step may be ignored.

Caution:

The parts and screws, and the wiring method of the leads and ferrite cores should be placed exactly the same position as the original otherwise it may cause loss of performance and product safety.

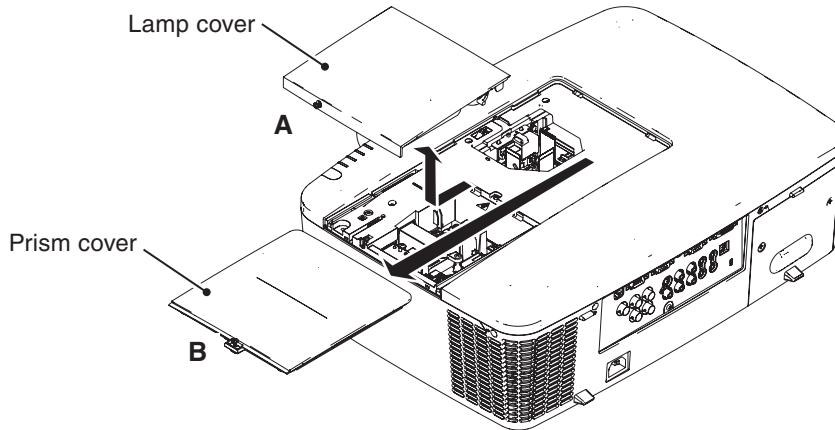
Screws Expression (Type Diameter x Length) mm	
T type	M Type
	



## Mechanical disassembly

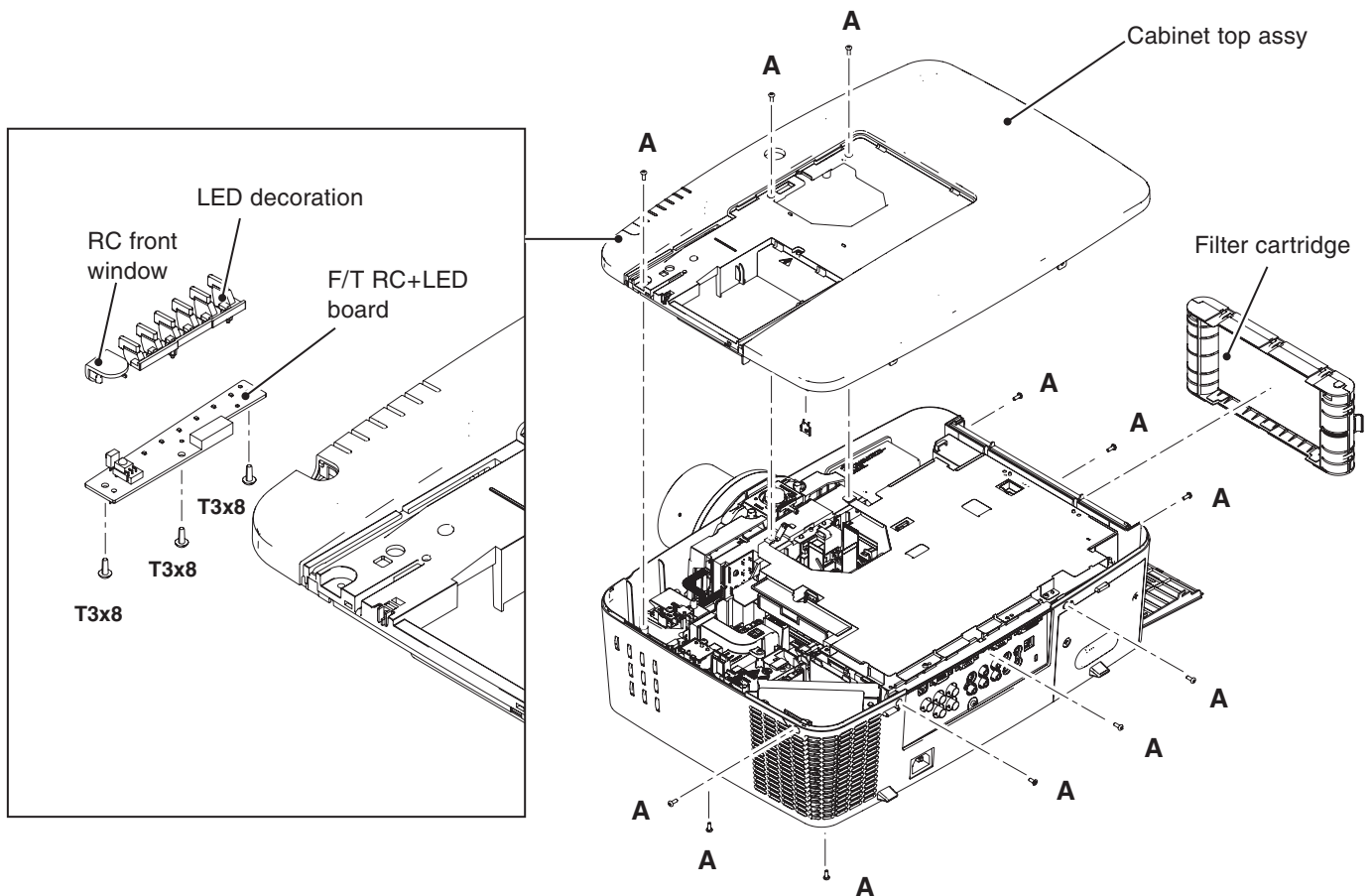
### 1. Lamp cover and Prism cover removal

1. Loosen 1 screw-A and remove the Lamp cover upward off.
2. Loosen 1 screw-B and remove the Prism cover by sliding it in the arrow direction.



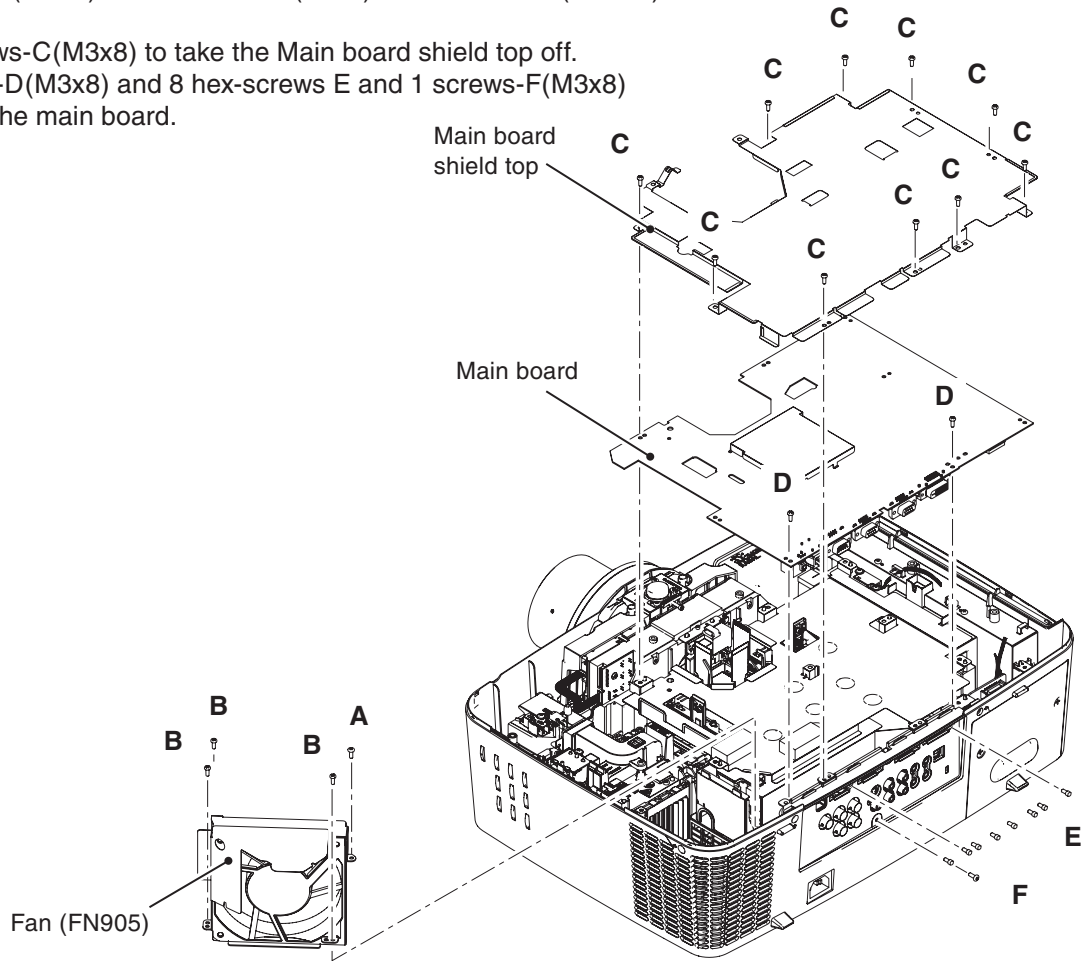
### 1-1. Cabinet Top removal

1. Open the filter cover and remove the filter cartridge.
2. Remove 12 screws-A (M3x8) and then take the Cabinet Top Assy upward off.



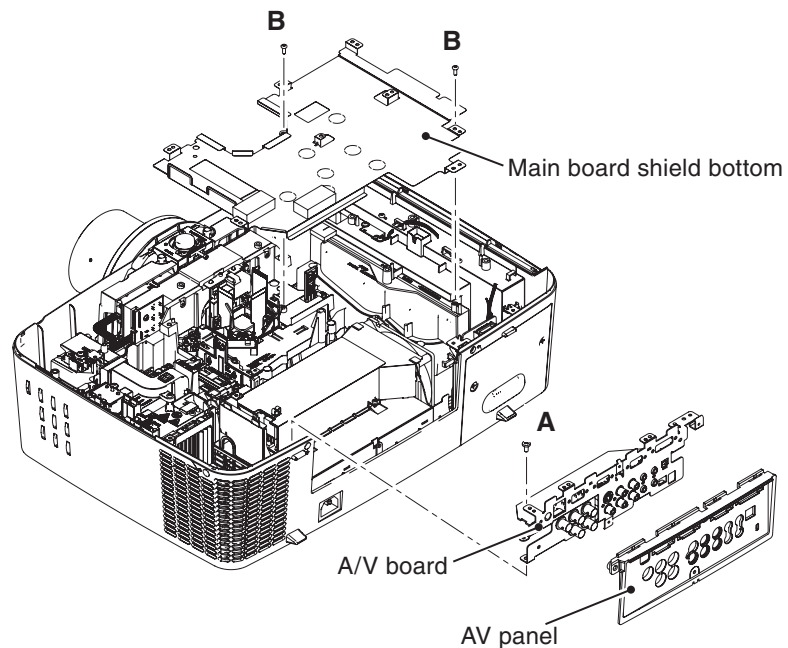
## 2. Fan (FN905) AND Main board removal

1. Remove 1 screw-A (M3x8) and 3 screws-B (T3x8) to take the Fan (FN905) upward off.
2. Remove 10 screws-C(M3x8) to take the Main board shield top off.
3. Remove 2 screws-D(M3x8) and 8 hex-screws E and 1 screws-F(M3x8) and then remove the main board.



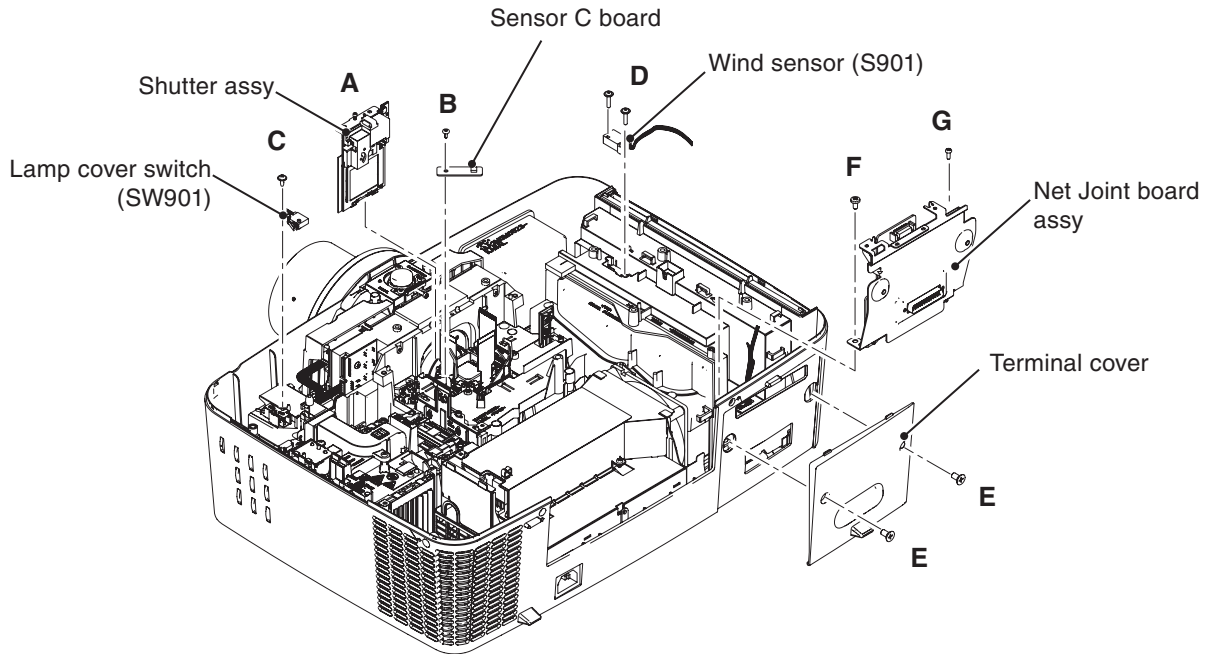
## 3. A/V board and removal

1. Remove 1 screw-A (M4x8) and pull the A/V board assy upward.
2. Remove 2 screws-B (T3x8) to take the Main board shield bottom.



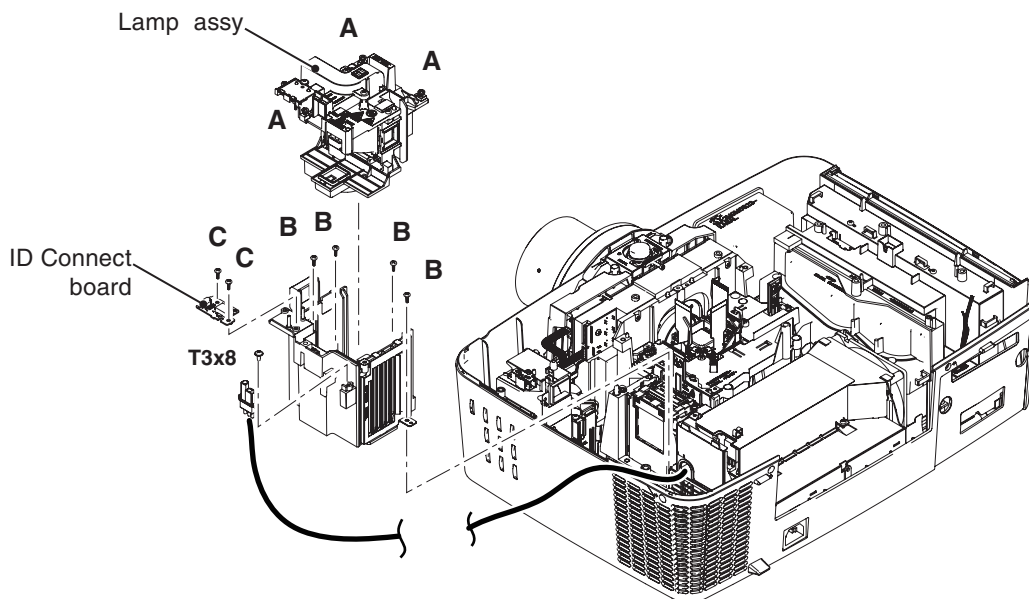
## 4. Shutter, Net Joint and Sensor C board removal

1. Loosen 1 screw-A and pull the shutter assy upward.
2. Remove 1 screw-B (T3x6) to take the Sensor C board off.
3. Remove 1 screw-C (T3x8) to take the Lamp Cover Switch (SW901) off.
4. Remove 2 screws-D (T3x14) to take the Wind Sensor (S901) off.
5. Remove 2 screws-E (M5x10) to take the Terminal Cover off, and remove 1 screw-F (M4x8) and 1 screw-G (M3x8) and then pull the Net Joint board assy upward.



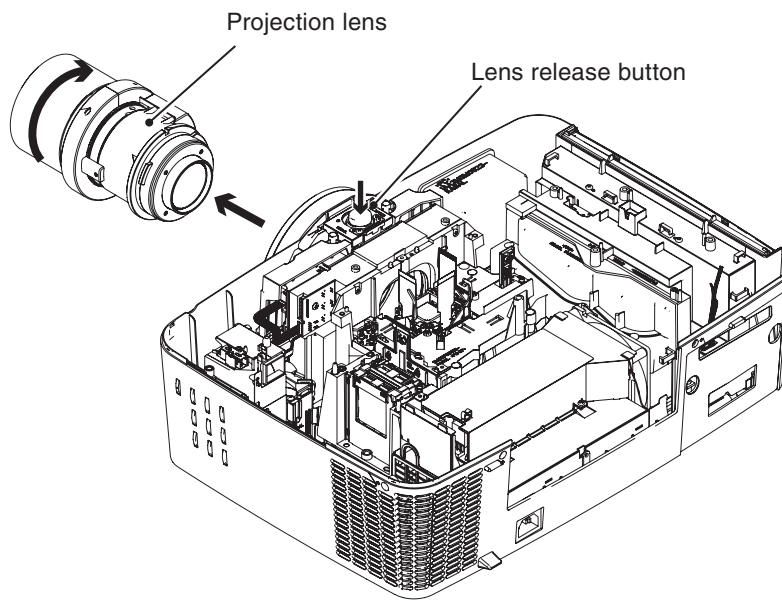
## 5. Lamp, Lamp Cover and IC Connect board removal

1. Loosen 3 screws-A and pull the Lamp assy upward.
2. Remove 4 screws-B (T3x8) to take the Lamp house holder upward off.
3. Remove 2 screws-C (T3x8) to take the ID Connect board.



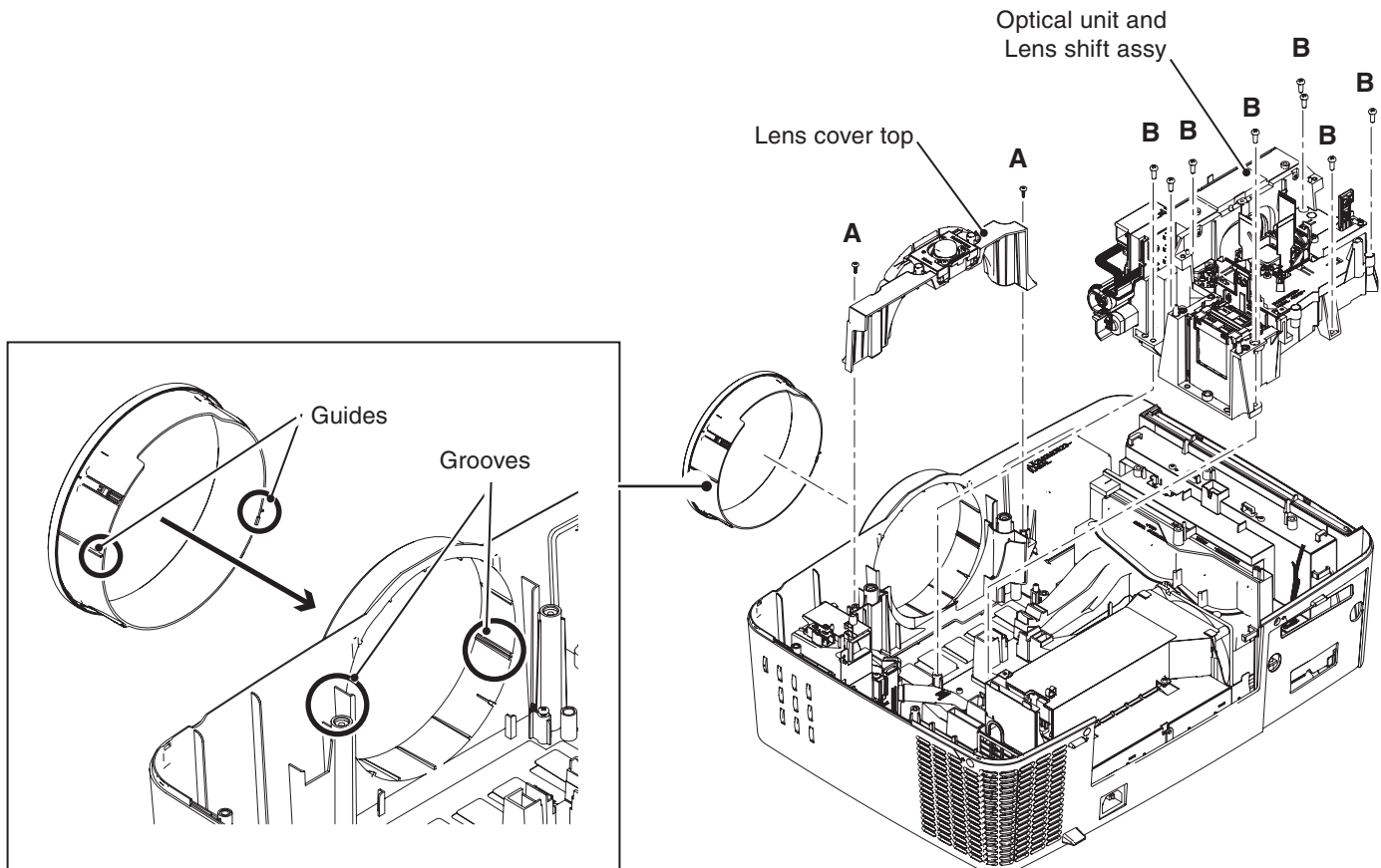
## 6. Projection Lens removal

1. Press and hold the Lens release button and turn the Projection Lens counterclockwise until it stops and put it out slowly.



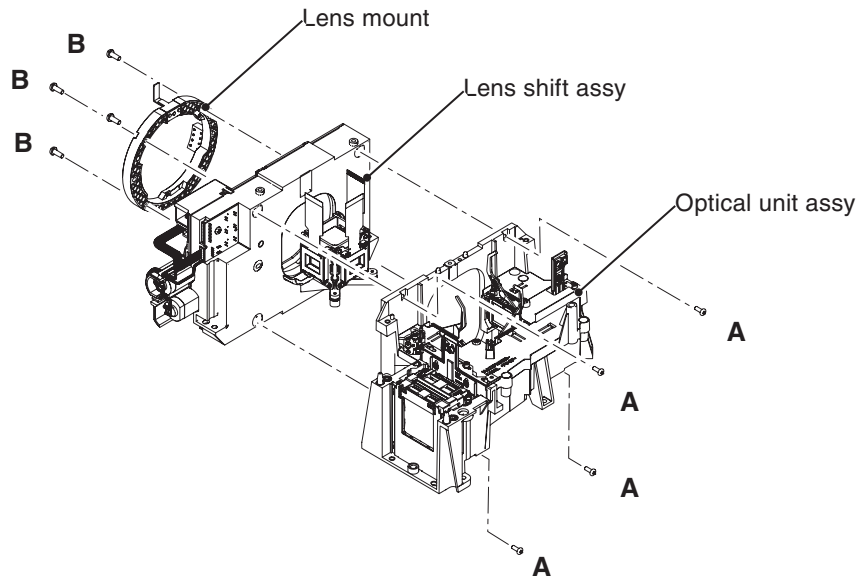
## 7. Optical Unit removal

1. Remove 2 screws-A (T3x8) to take the Lens Cover Top upward off.
2. Remove 8 screws-B (M4x10) and remove the Optical Unit assy and Lens Shift assy.
3. Remove the Front Ring Cover by pressing it from back.



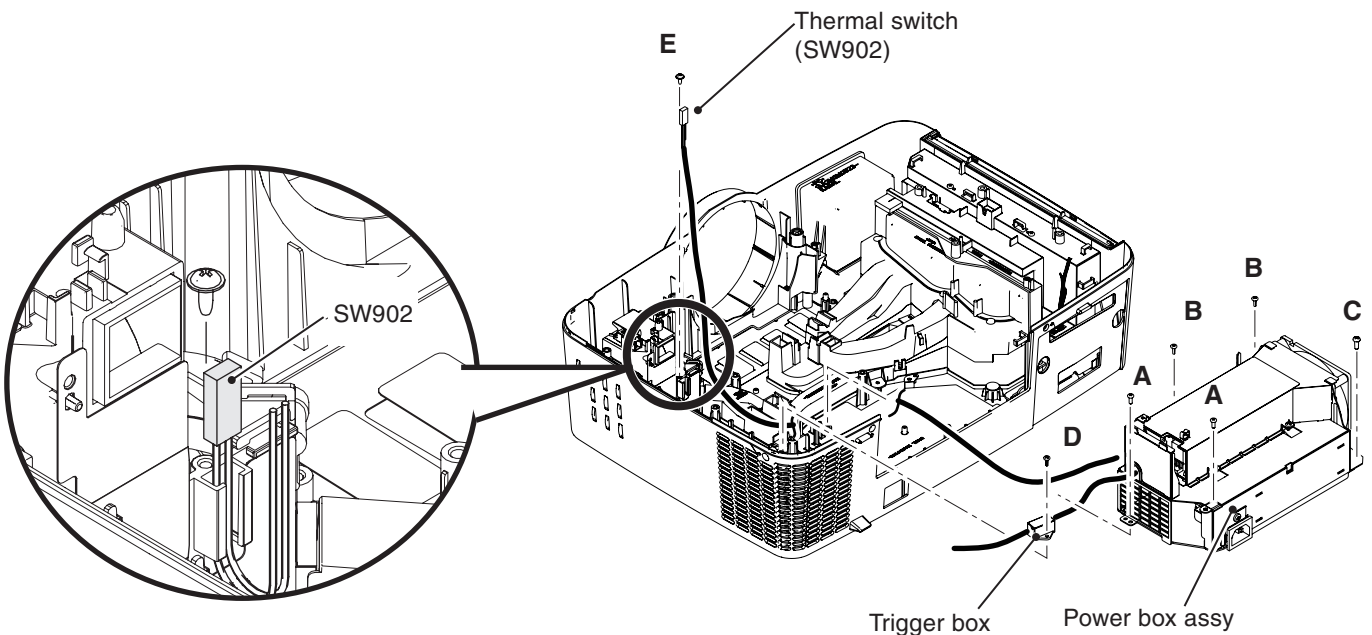
## 7-1. Lens Shift assy removal

1. Remove 4 screws-A (M3x8) to take the Lens Shift assy off.
2. Remove 4 screws-B (M3x14) to take the Lens Mount off.



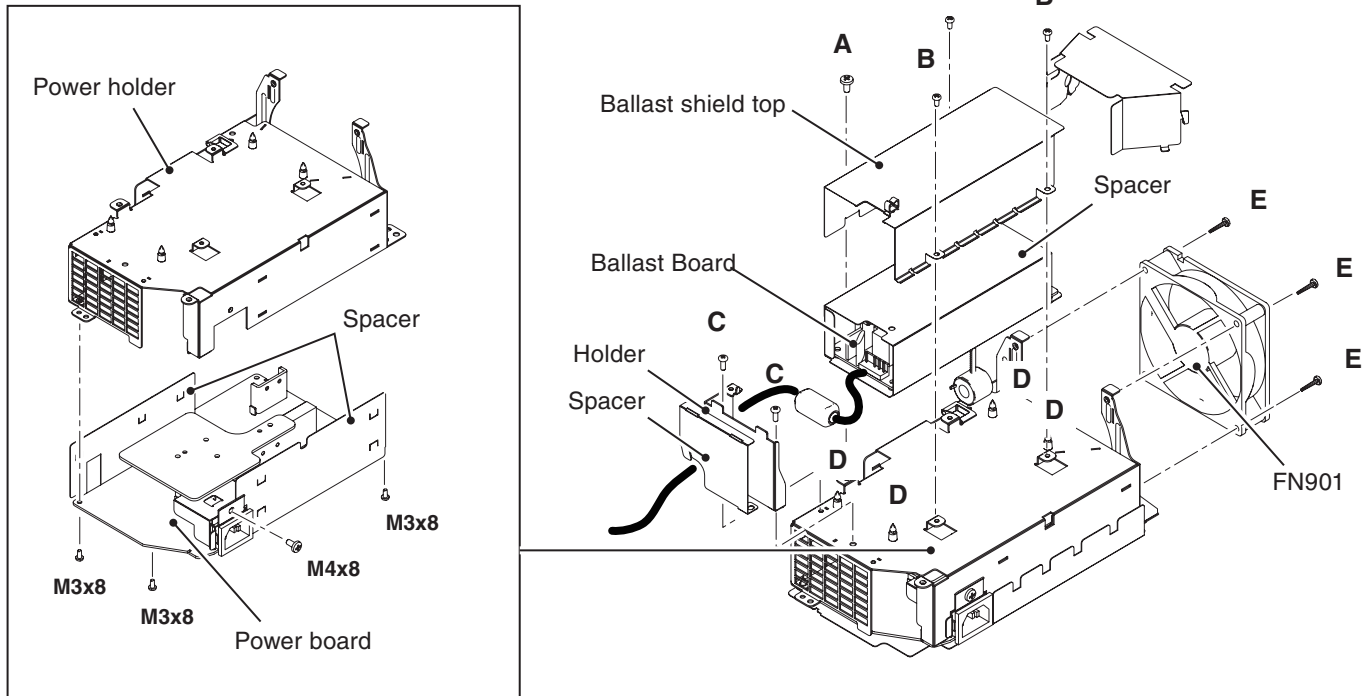
## 8. Power Box and Thermal SW (SW902) removal

1. Remove 2 screws-A (M3x8), 2 screws-B (T3x8) and 1 screw-C (M4x8) and then remove the Power Box assy.
2. Remove 1 screw-D (T3x8) to take the Trigger Box off.
3. Remove 1 screw-E (T3x8) and pull the SW902 upward off from the groove.



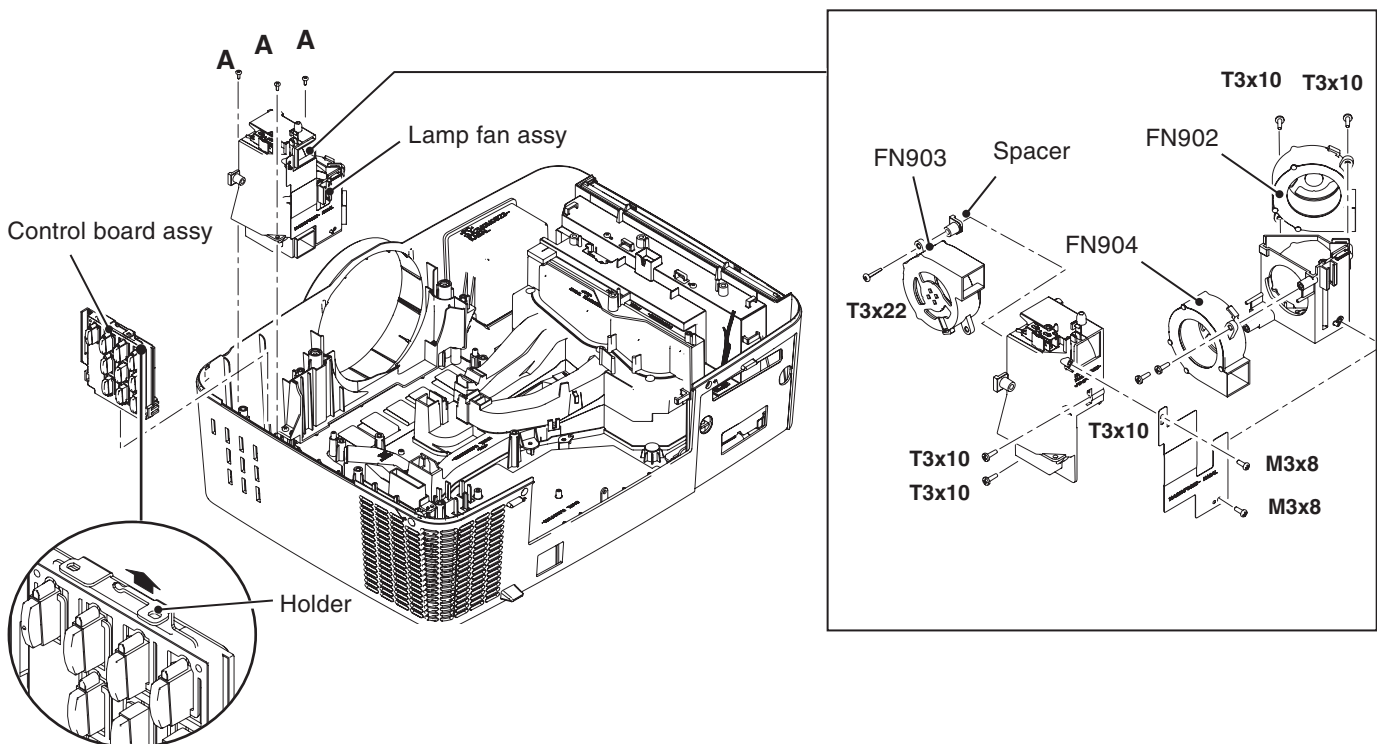
## 8-1. Power Box disassembly and Fan (FN901) removal

1. Remove 1 screw-A (M4x8) and 3 screws-B(M3x8) and remove the Ballast shield top.
2. Remove 2 screws-C (M3x8) to take the Holder. Unhook the 4 hooks-D and take the Ballast board off.
3. Remove 3 screws-E (T3x28) to take the Fan (FN901) off.



## 9. Control board and Fans (FN902, FN903, FN904) removal

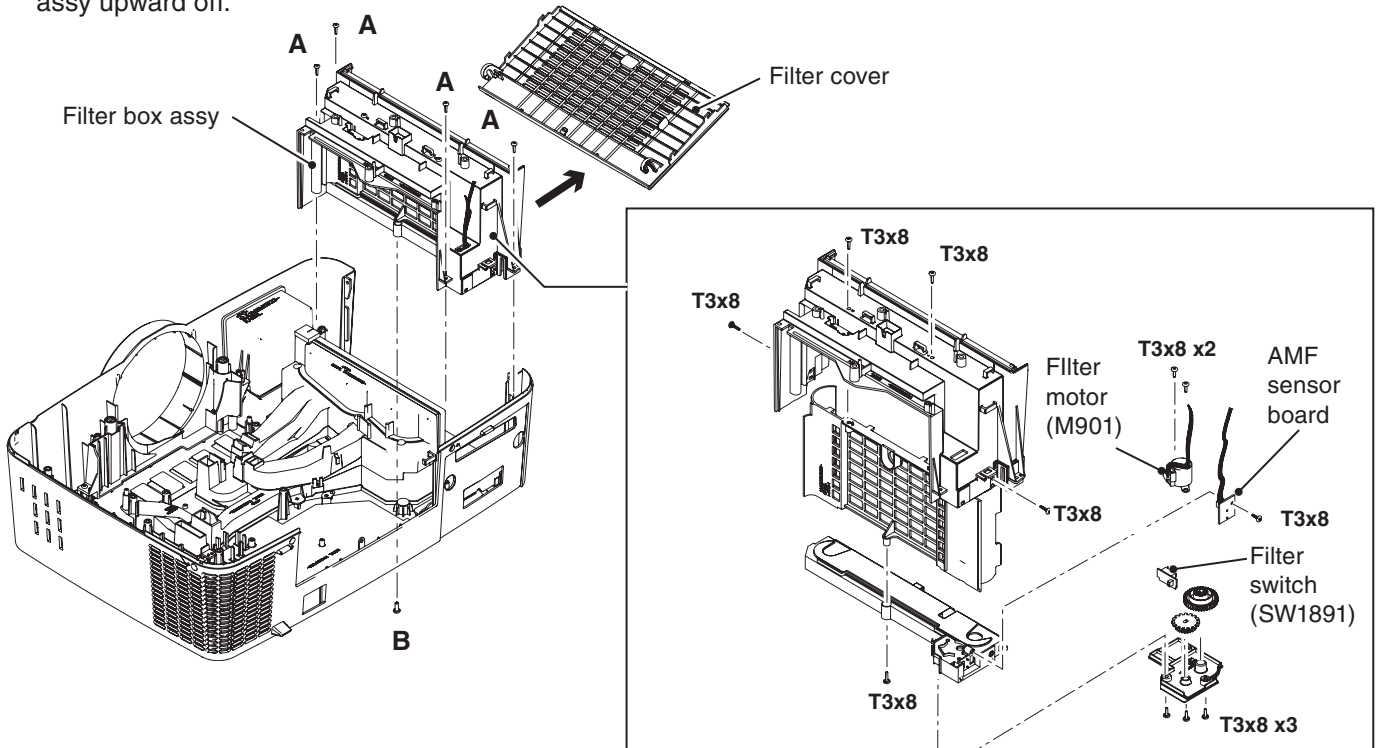
1. Remove 3 screws-A (T3x8) to take the Lamp fan assy off.
2. Pull the holder on the Control board up to release the hook and remove the Control board assy upward off.





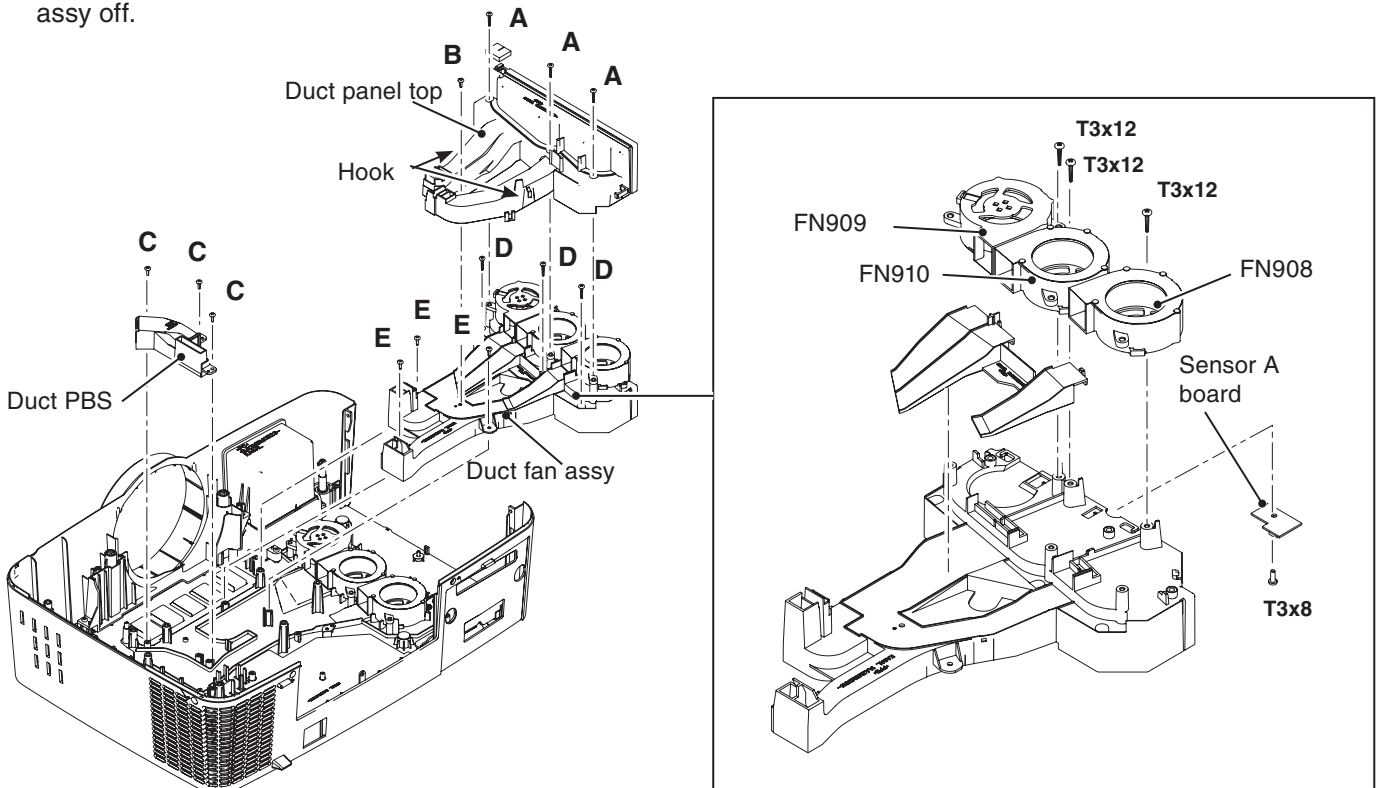
## 10. A/V Board Assy removal

1. Remove the Filter Cover by pulling it outside.
2. Remove 4 screws-A (T3x8) and 1 screw-B (M3x8) and pull the Filter Box assy upward off.



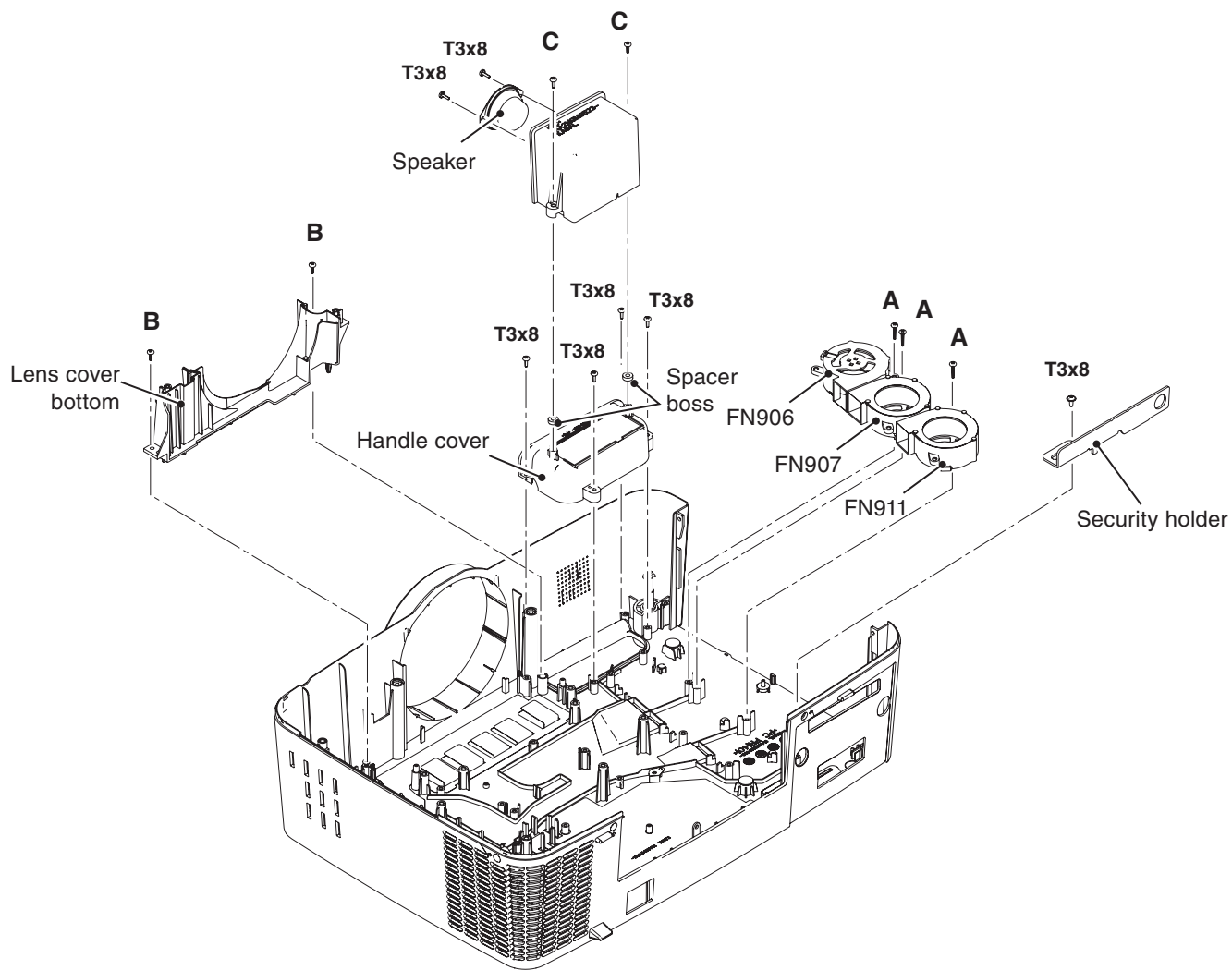
## 11. Fans (FN908, FN909, FN910) removal

1. Remove 3 screws-A (T3x15), 1 screw-B (T3x8) and unhook 2 hooks and remove the Duct Panel Top.
2. Remove 3 screws-C (T3x8) to take the Duct PBS off.
3. Remove 3 screws-D (T3x12) and 3 screws-E (T3x8) to take the Duct Fans assy off.



## 12. Fans (FN906, FN907, FN911) and Speaker removal

1. Remove 3 screws-A (T3x12) and remove fans.
2. Remove 2 screw-B (T3x8) to take the Lens Cover Bottom upward.
3. Remove 2 screws-C (T3x8) to take the Speaker box off.

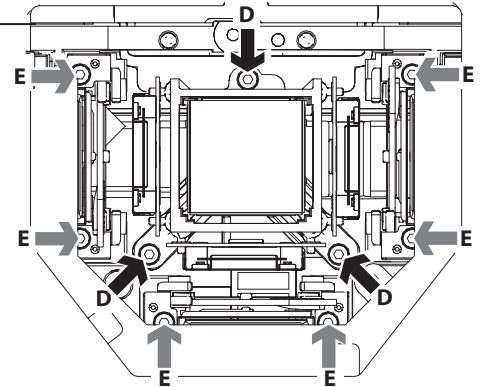
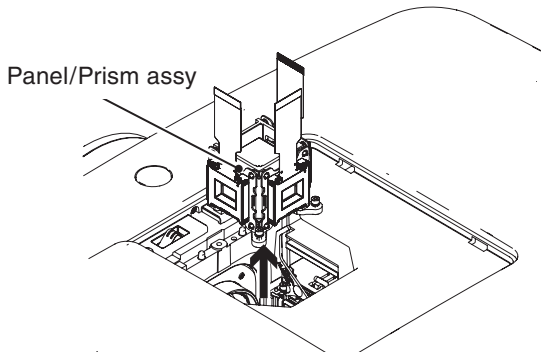


# Optical Parts Disassembly

Before taking these procedures, remove the cabinet top, Main board assy, shutter assy referring to the chapter "Mechanical Disassembly".

## 1. LCD Panel/Prism Assy removal

1. Open the Prism Cover.
2. Loosen 3 screws-D and pull the Panel/Prism assy upward.



**\* Note on handling the LCD Panel/Prism Assy**  
LCD Panel, Polarized glasses are very sensitive parts. Never touch or wipe the surface. When removing the dust on the surface, use a commercial (inert gas) air spray to remove them.

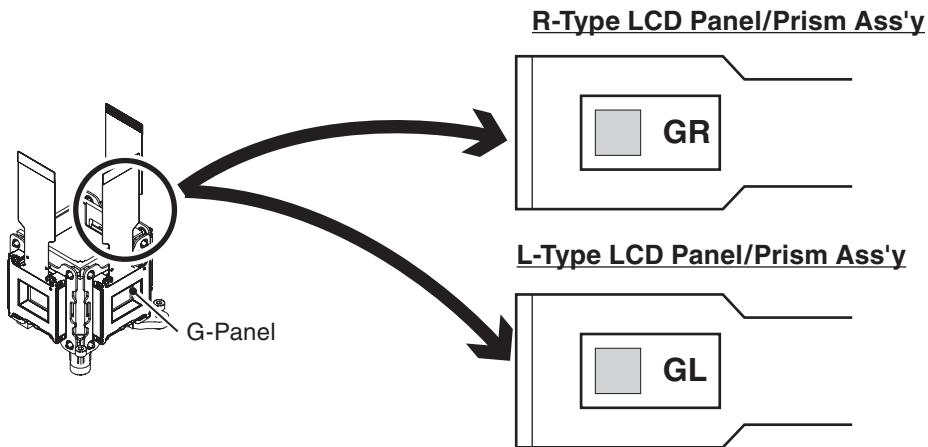
### LCD Panel Type Check

There are 2 types combination of the LCD panel/prism assembly and the optical unit, named Type-R and Type-L. Since both have no compatibility, each type should be combined with the same type, and the specific parts should be used. If not, the poor optical characteristics may degrade the quality of a projected image.

### How to check the type of LCD Panel Ass'y

Check the printed marker on the flat cable of the G-LCD Panel.

- GR --> R-type LCD Panel/Prism Ass'y
- GL --> L-Type LCD Panel/Prism Ass'y

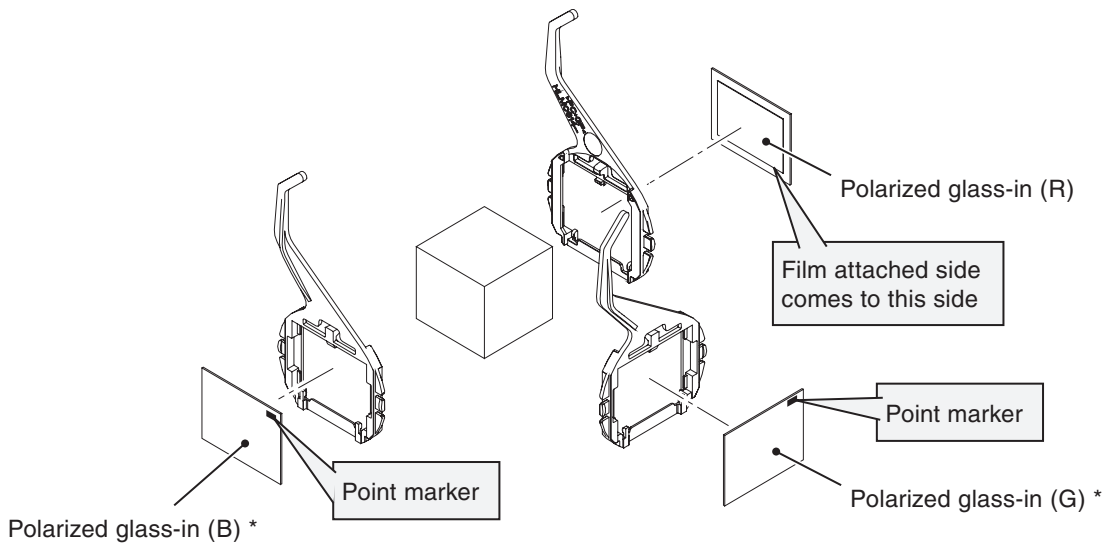
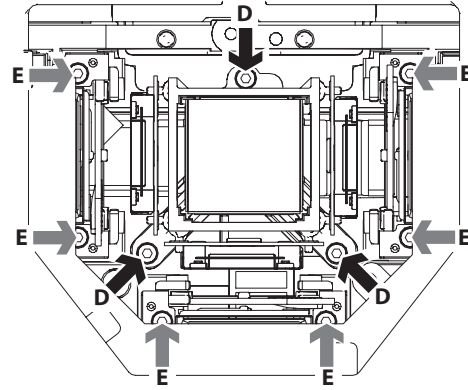
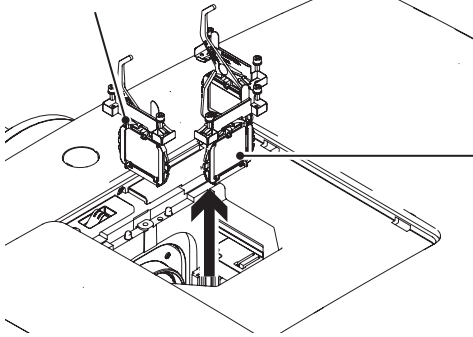


**IMPORTANT NOTICE on LCD Panel/Prism Ass'y Replacement**  
LCD panels used for this model cannot be replaced separately. Do not disassemble the LCD Panel/Prism Ass'y. These LCD panels are installed with precision at the factory. When replacing the LCD panel, should be replaced whole of the LCD panels and prism ass'y at once.  
When replacing LCD Panel/Prism ass'y, take the optical and electrical adjustments following to the chapter "Adjustment".

## 2. Polarized Glass-in removal

1. Remove 2 screws-E (M2.5x6) each on the Polarized glass assy and remove the stoppers, and pull the Polarized Glass assy upward.

Polarized glass assy

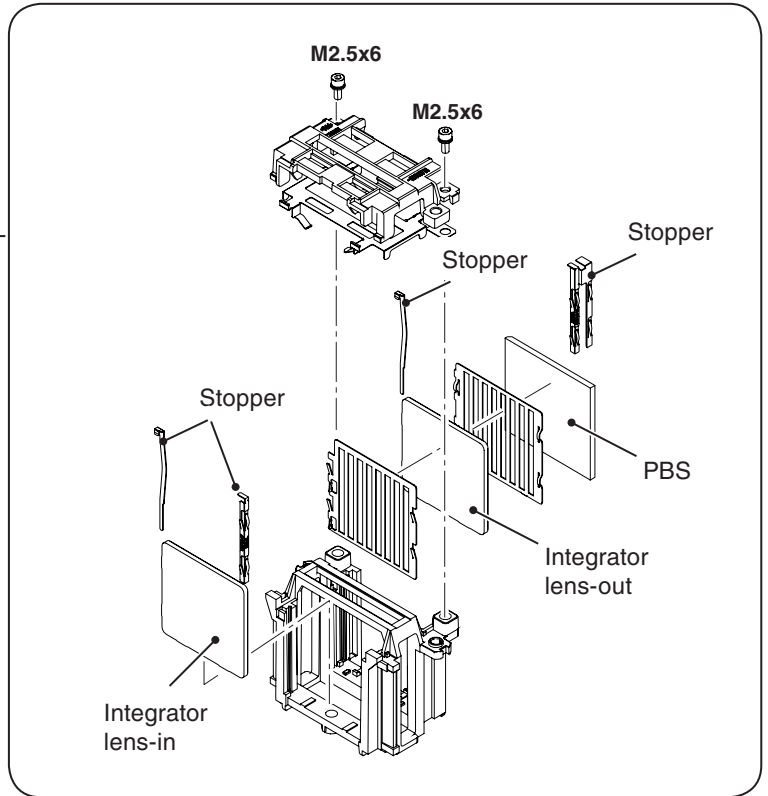
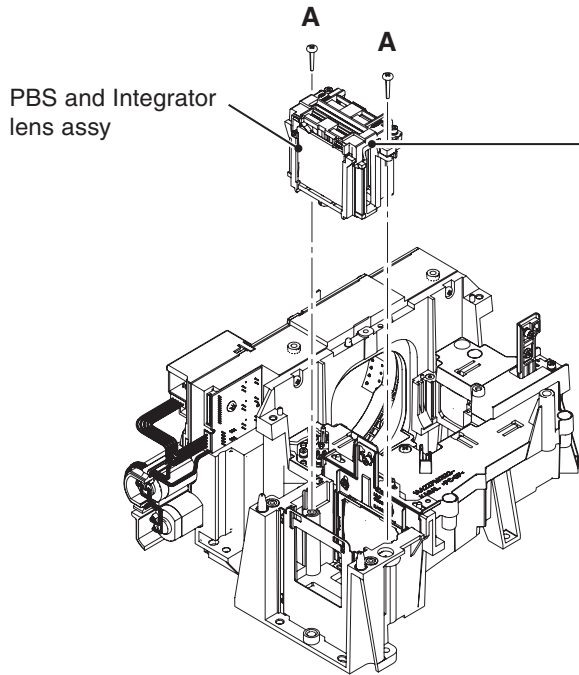


**\* Note on handling the polarized glasses**

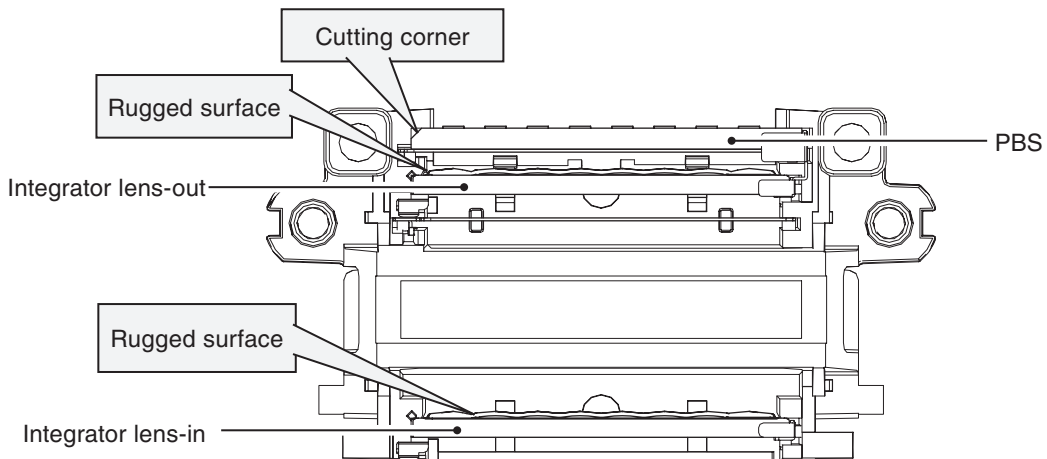
Polarized glass-in (B) and (G) are very sensitive parts. Never touch or wipe the both surfaces. Grab the edge of the glass by new gloves when handling the polarized glass. When removing the dust on the surface, use a commercial (inert gas) air spray to remove them. Never use organic solvents.

### 3. PBS and Integrator Lens Assy removal

1. Remove 2 screws-A (M3x14) and pull the PBS and Integrator lens assy upward.

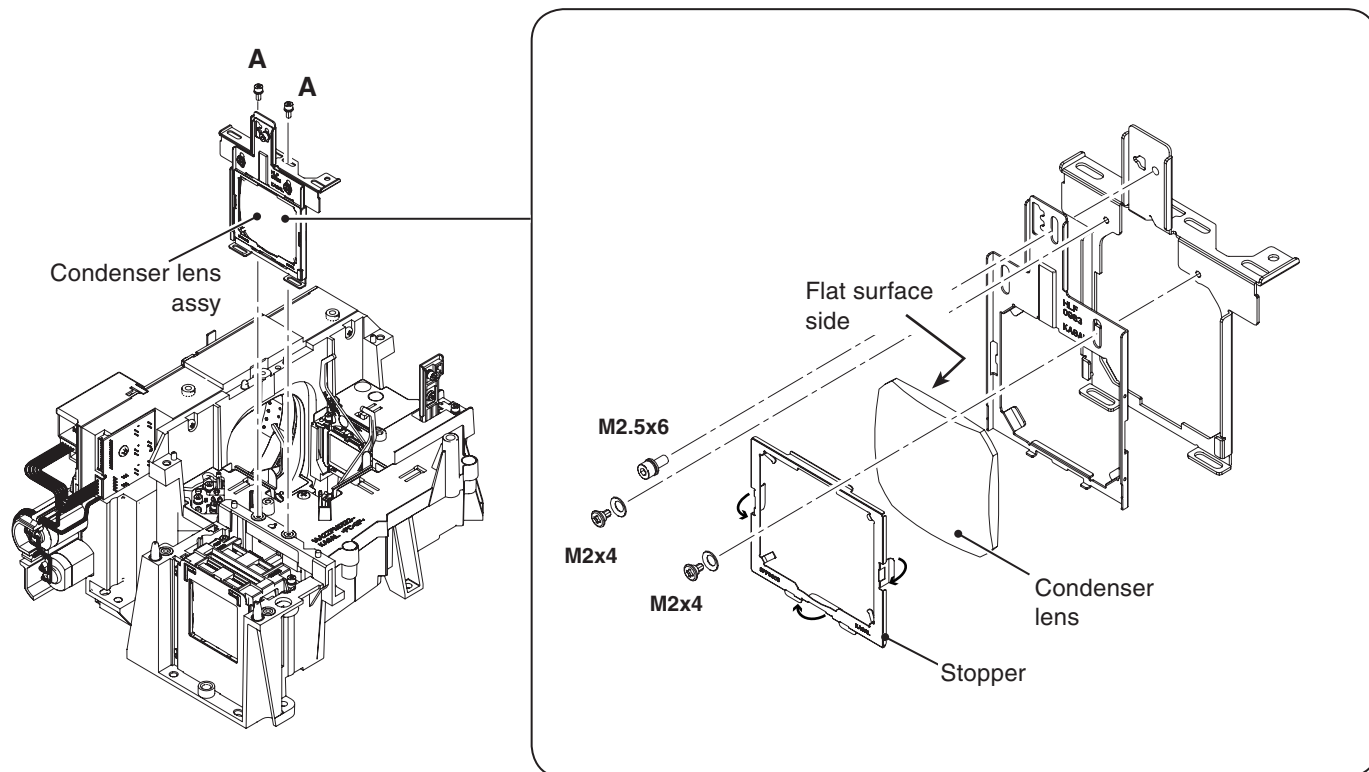


#### Top view of PBS and Integrator lens assy



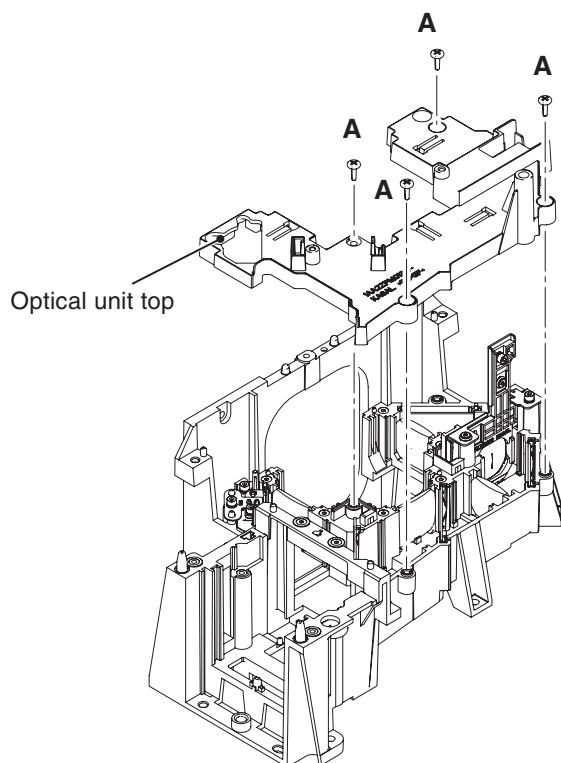
## 4. Condenser Lens Assy removal

1. Remove 2 screws-A (M2.5x6) and pull the Condenser Lens Assy upward.



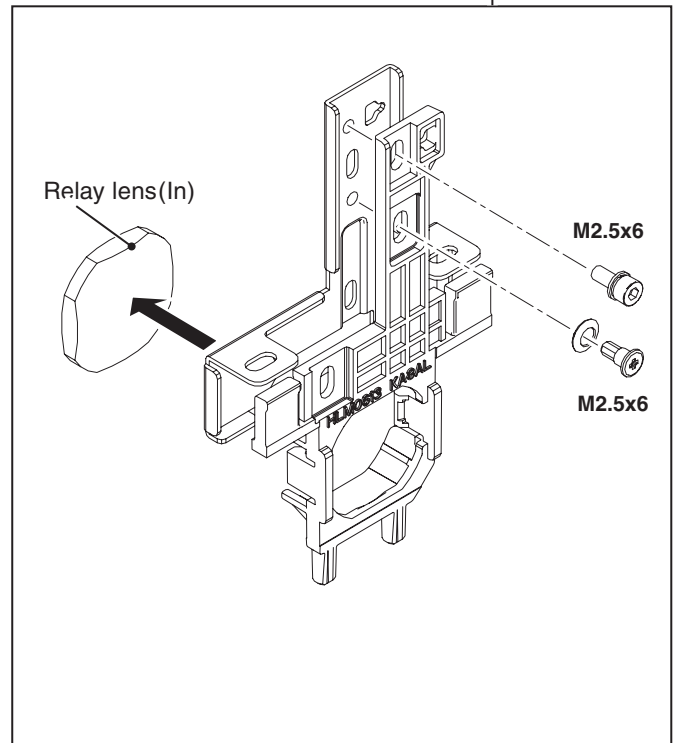
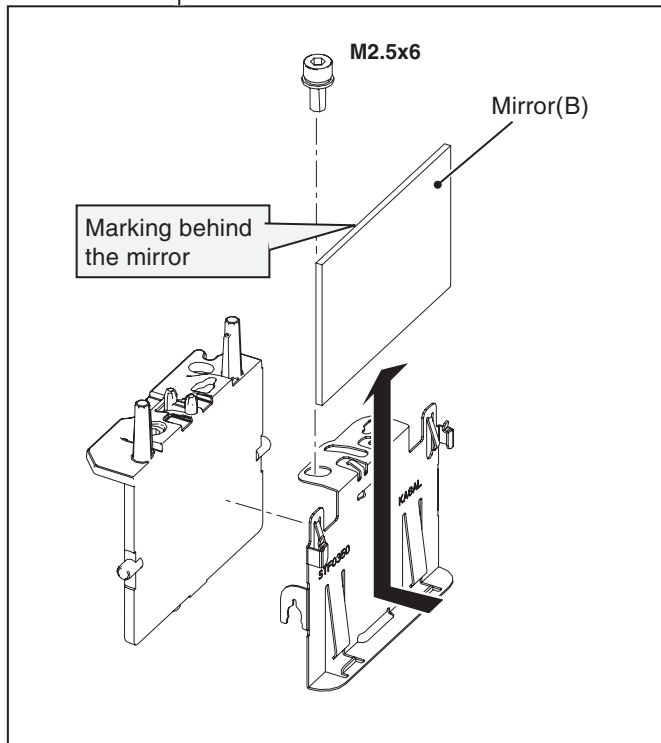
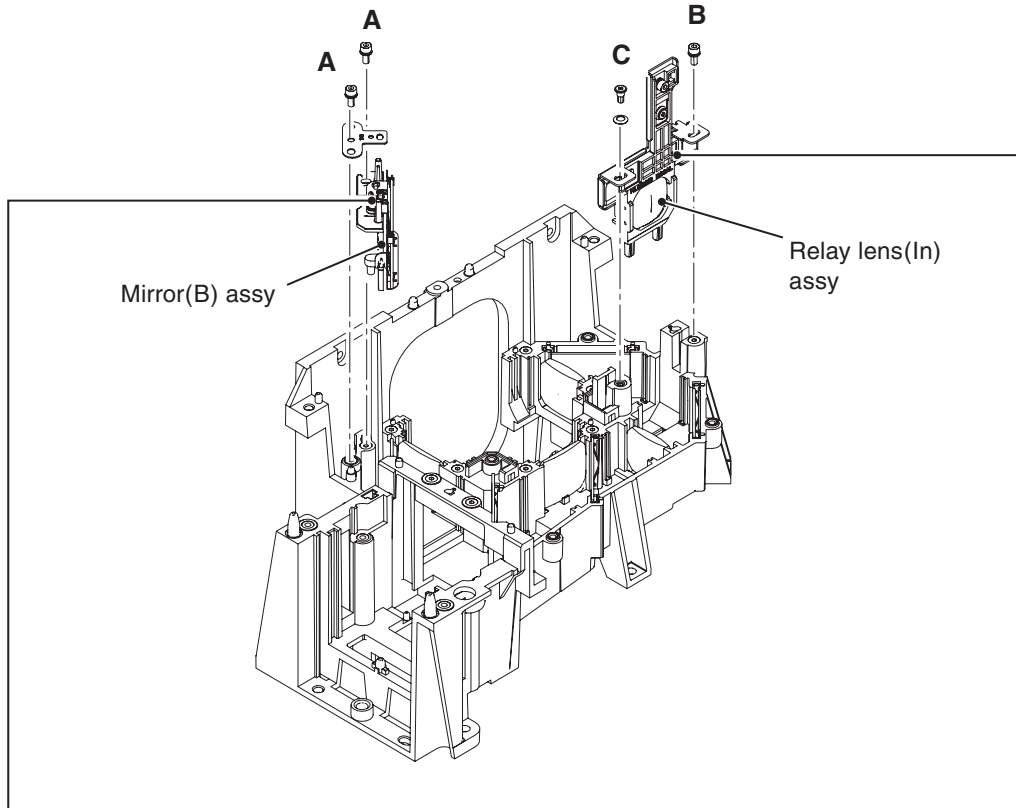
## 5. Optical Parts in the Optical Unit removal

1. Remove 4 screws-A (T3x10) to take the Optical Unit Top off.



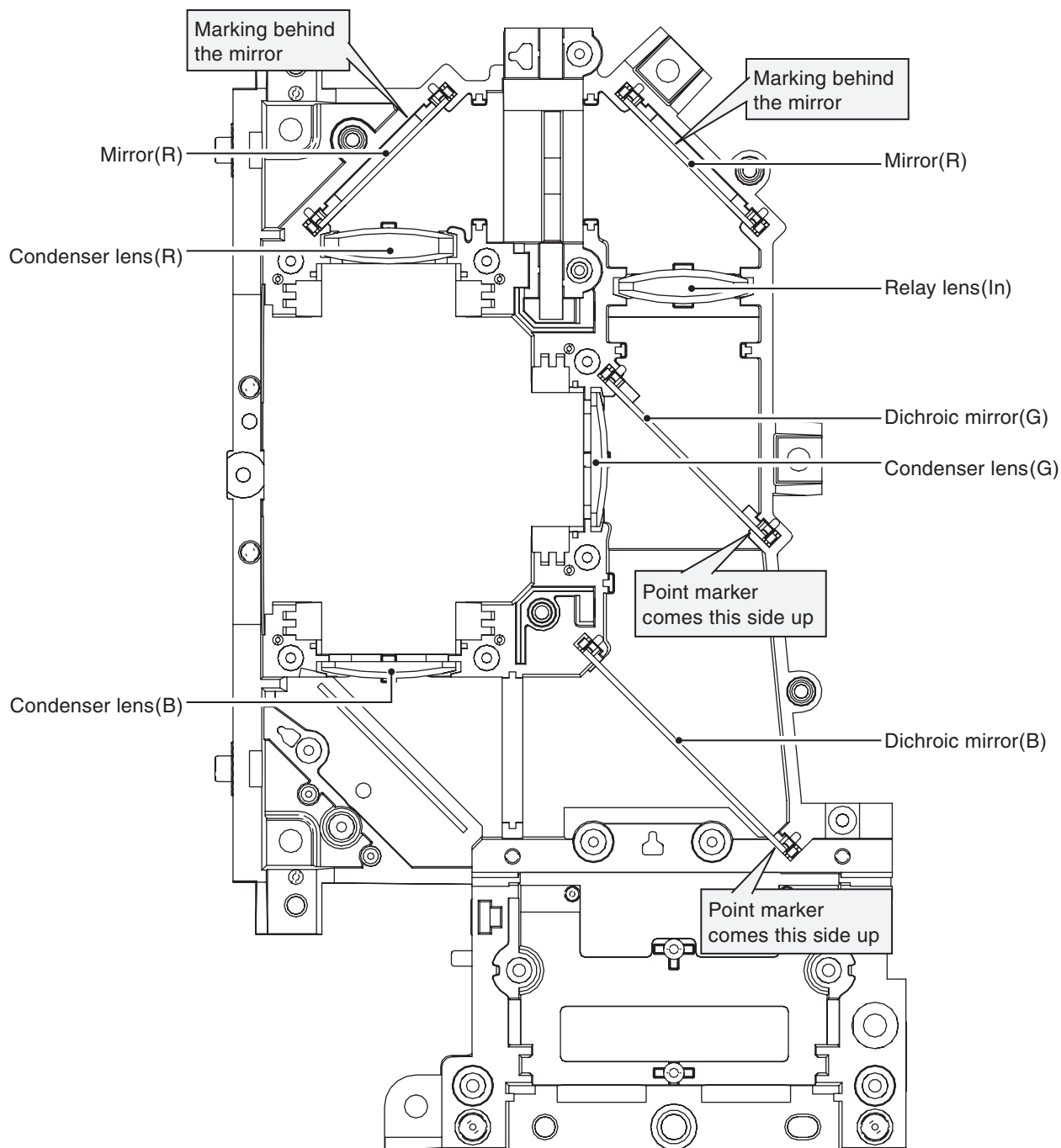
### 5-1. Mirror(B) Assy and Relay Lens(In) Assy removal

1. Remove 2 screws-A (M2.5x6) and pull the Mirror(B) assy upward off.
2. Remove 1 screw-B (M2.5x6) and 1 screw-C (M2x4), and pull the Relay lens(In) assy upward off.



## 5-2. Optical Parts in the Optical Unit

When mounting or assembling the optical parts in the optical unit, the parts must be mounted in the specified location and direction as shown in the figure below.





# Adjustments

## Adjustments after Parts Replacement

● : Adjustment necessary ○ : Check necessary

		Disassembly / Replaced Parts					
		LCD/ Prism Assy	Polarized Glass	Condesner lens / Relay lens / Integrator lens	Power Board	Main Board	Fans Wind Sensor
Optical Adj.	Optical axis adjustment			●			
	Contrast adjustment	●	●				
Electrical Adjustments	Output voltage adjustment				●		
	Fan voltage adjustment				●	●	●(Fans)
	PC-auto calibration					●	
	Video-auto calibration					●	
	Component-auto calibration					●	
	Common voltage adjustment	●				●	
	Panel type check and setting	○				●	
	Gamma shipment setting-up *	●				●	
	White balance adjustment	○				●	
	Color shading correction adjustment *	○	○			○	
	Wind sensor calibration				●	●	●(S901)

\* To setup or adjust those items, the Projector Service Tool v. 4.20 software is needed. Refer to the owner's manual for this software for the further details.

### Note on Main Board Replacement

Take the following setting when the main board is replaced.

- Shipment data setting (Color Shading Correction, Gamma Shipment)
- Serial No. Setting

#### Adjustment Ship Data Setting

This projector stores "Color Shading Correction Data" and "Gamma Data" in the flash memory (IC801) and memory (IC1387) on the main board. Those shipping data have been setup according to the optical characteristics of the mounted LCD panels precisely in the factory. When replacing the main board, you need to read out the those setting data stored in the memory ICs on the previous main board and write down them into the memory ICs on the new main board. By this way, the projector enables to reproduce the picture which has properly adjusted color shading correction, gamma correction. For further details, refer to the operation manual of the software [PROJECTOR SERVICE TOOL v4.20].

#### Serial No. Setting

Each projector has an unique serial no. controlled in the factory. There are 2 ways to check this serial no. The one is printed on the rating label on the cabinet, the other one is displayed on the "Information" on the on-screen menu. The serial no. displayed on the on-screen menu is stored in the memory IC (IC1387) on the main board. When replacing the main board or memory IC, you need to write the serial no. referring to the serial no. printed on the rating label with the serial no. setting tool. For further details, refer to the operation manual of the serial no. setting tool [SST LITE v1.00].

**Those software are included in the service CD-ROM listed below;**

**PROJECTOR SERVICE TOOL CD-ROM v4.20**

**SERVICE CODE: 610 343 5596**

## Service Adjustment Menu Operation

### To enter the service mode

To enter the "Service Mode", press and hold the **MENU** and **SELECT** button for more than 3 seconds, or press and hold the **MENU** button on the remote control for more than 20 seconds. The service menu appears on the screen as follows.

### To adjust service data

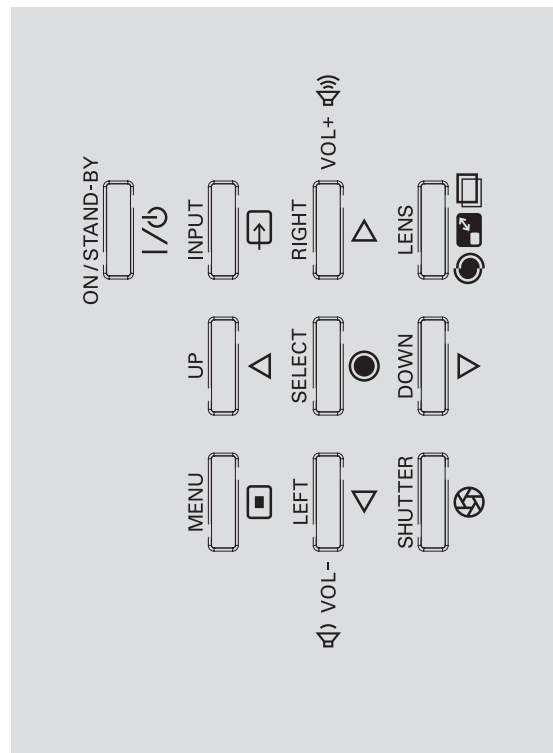
Select the adjustment group no. by pressing the **MENU** button (increase) or **SELECT** button (decrease), and select the adjustment item no. by pressing the pointer **▲** or **▼** button, and change the data value by pressing the **◀** or **▶** button. Refer to the "Service Adjustment Data Table" for further description of adjustment group no., item no. and data value.

### To exit the service mode

To exit the service mode, press the **ON/STAND-BY** button.

Service Mode		
Input	Input 1	
Image	Standard	
Group	No.	Data
0	0	32
Ver.	1.00	

Group No.  
Item No.  
Data value  
Firmware Version No.

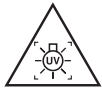


### Enabling/Disabling the Wind Sensor Function

When the Main Board is replaced with new one, the projector detects the clogged filter and rolls up the filter until it ends because the wind sensor setting value in the memory IC on the new board is not setup correctly. To avoid this operation, disable the wind sensor function temporarily following to the procedure below.

1. Enter the service mode, select group no. "240" and item no. "2". Change data value from "1" to "0". Now the function of wind sensor is disabled.
2. After completing the "Fan driving voltage adjustment", set up to enable the function of the wind sensor. (Group no. "240", Item no. "2", Data value is set to "1")
3. Execute the adjustment "Filter calibration".

# Optical Adjustment



**WARNING : USE UV RADIATION EYE AND SKIN PROTECTION DURING SERVICING**

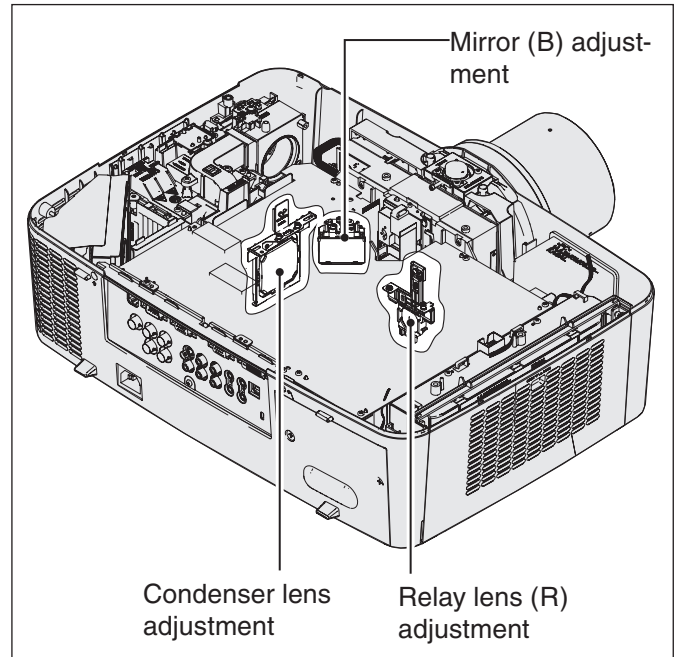


**CAUTION: To prevent suffer of UV radiation, those adjustments must be completed within 25 minutes.**

## Before Adjustment

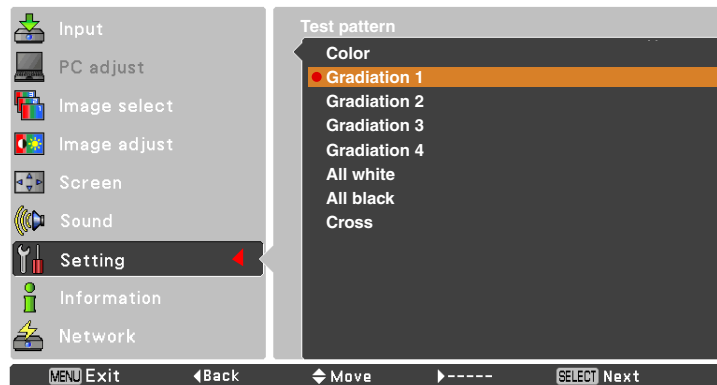
- 1 Each adjustment requires hex wrenches and slot screwdrivers.
- 2 Move the projection lens position to center by pressing the LENS button for more than 5 seconds.
- 3 When adjusting optical components adjustments, using Standard Zoom Lens is recommended.
- 4 When adjusting the optical axis adjustment and contrast adjustment, use the internal test pattern. To select the internal test pattern, see the item below.
  - \* Do not disconnect the sockets on the main board otherwise the power protection function will operate to shutdown the projector.
- 5 These adjustments should be taken in the darkest room to adjust precisely.

**CAUTION:** Do not short main board with the chassis. Protect main board with necessary isolation materials from shorting.



## To select the internal test pattern

- 1 Press the MENU button.
  - 2 Select the "Test pattern" from the "Setting" menu.
  - 3 Press the SELECT button. The test pattern menu appears on the screen.
  - 4 Select a pattern name and press SELECT button.
- To cancel the test pattern, press any of the buttons.



### CAUTION:

When adjusting the optical components, do not insert any materials into the optical block for blocking the light. Or the optical block may be damaged by overheating or scratching the parts.

## 1. Optical axis adjustment

Select the internal test pattern signal “All white” from the projector’s menu “Menu -> Setting -> Test pattern”.

### 1-1. Condenser lens adjustment-1

1 Loosen 2 screws **A** and 1 screws **C**.

2 Move the condenser lens to display the color shading on the top/bottom and left/right of the screen.

1) Insert a slot driver into the slot **B** and turn it to move the image horizontally as shown in **Fig.1-1**,

2) Insert a slot driver into the slot **D** and turn it to move the image vertically as shown in **Fig.1-2**,

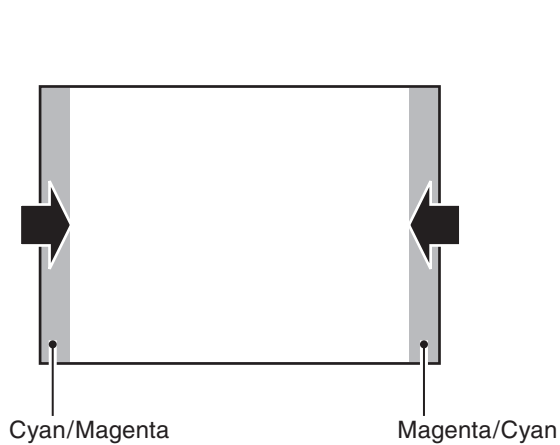
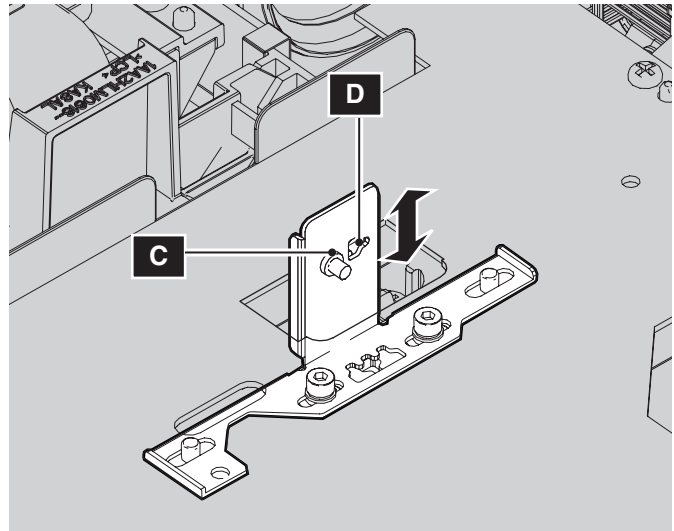
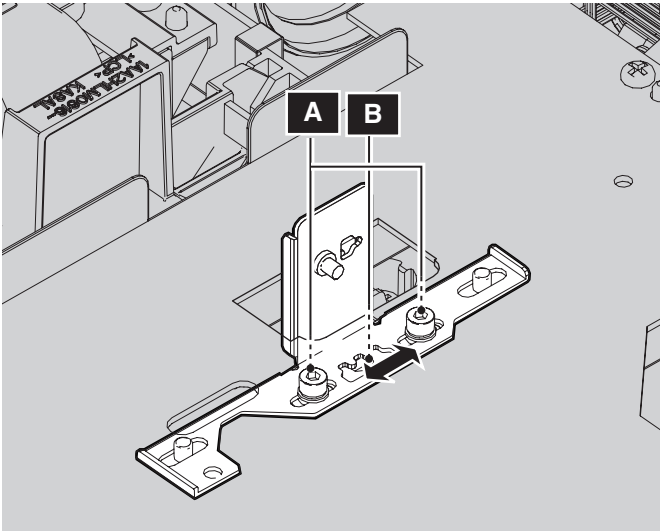
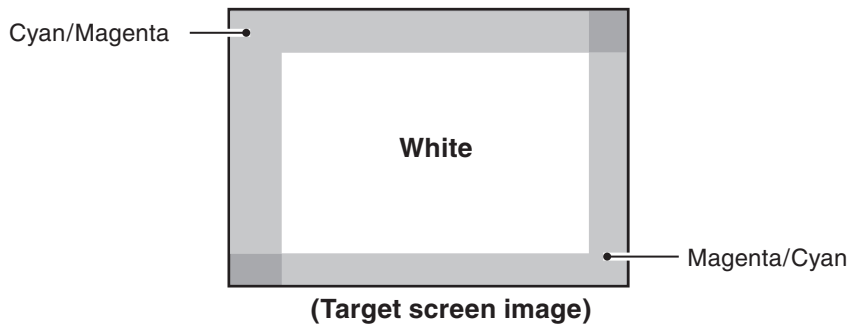


Fig.1-1

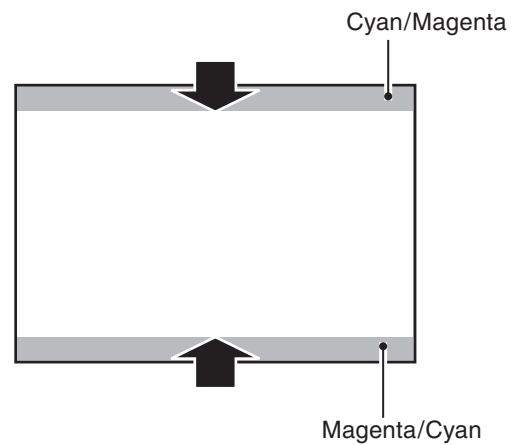
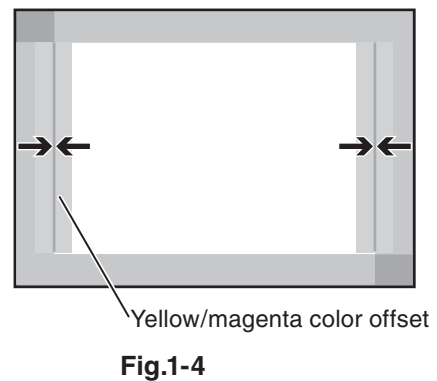
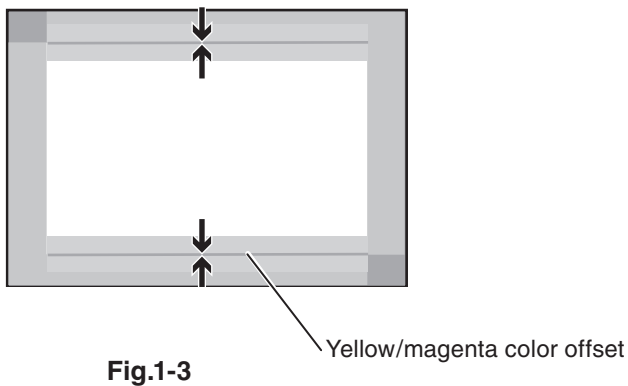
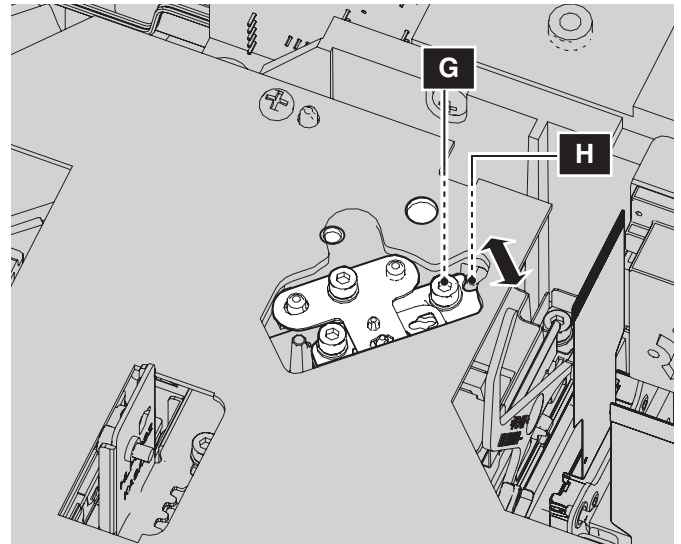
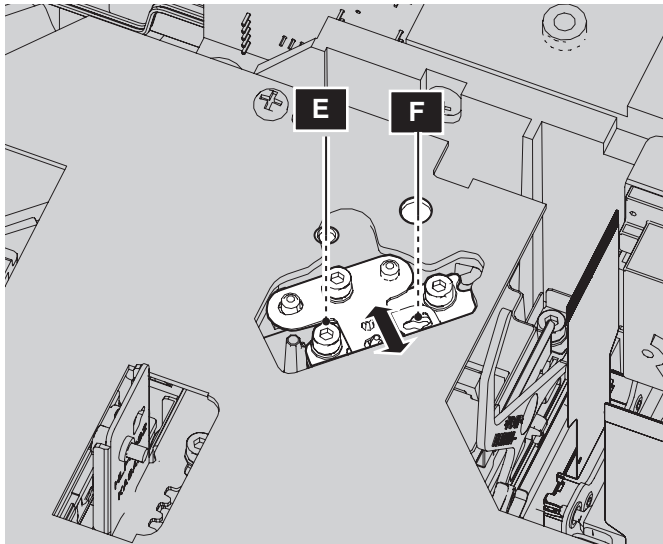
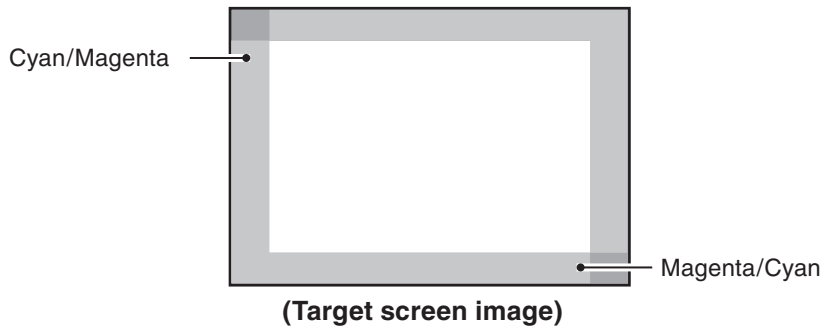


Fig.1-2

### 1-2. Mirror (B) adjustment

- 1 Loosen 1 screw **E** and 1 screws **G**.
- 2 Move the Mirror-B to disappear the color band (Yellow/Magenta) on the top/bottom and left/right of the screen.
  - 1) Insert a slot driver into the slot **F** and turn it to move the image vertically as shown in **Fig.1-4**.
  - 2) Insert a slot driver into the slot **H** and turn it to move the image horizontally as shown in **Fig.1-3**,
- 3 Tighten screws **E** and **G** to fix the Mirror-B unit.



### 1-3. Relay lens (R) adjustment

- 1 Loosen 1 screw **J** and 1 screw **L**.
- 2 Move the Relay lens (R) so that the color shading appeared on the top/bottom and left/right of the screen becomes the same width.
  - 1) Insert a slot driver into the slot **K** and turn it to move the image horizontally as shown in **Fig.1-5**,
  - 2) Insert a slot driver into the slot **M** and turn it to move the image vertically as shown in **Fig.1-6**.
- 3 Tighten the screws **J** and **L** to fix the relay lens (R) assy.

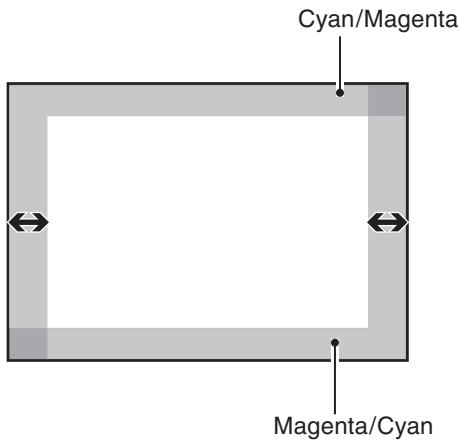
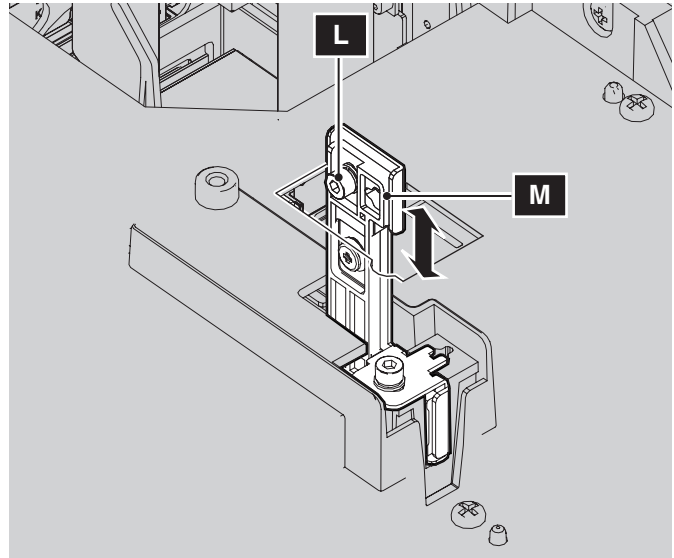
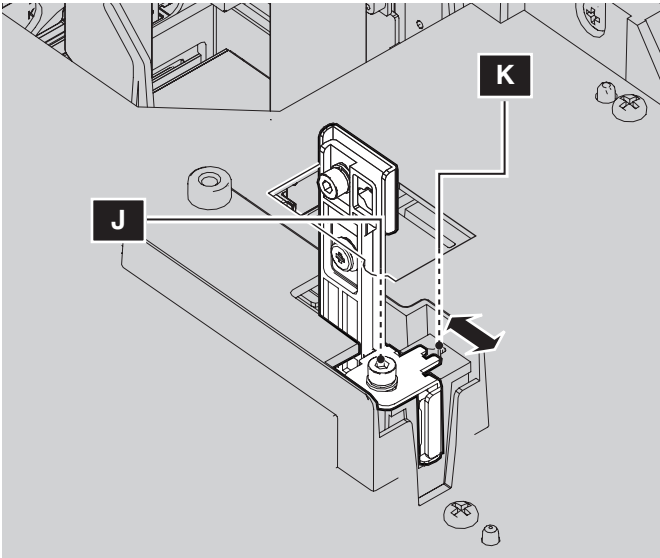
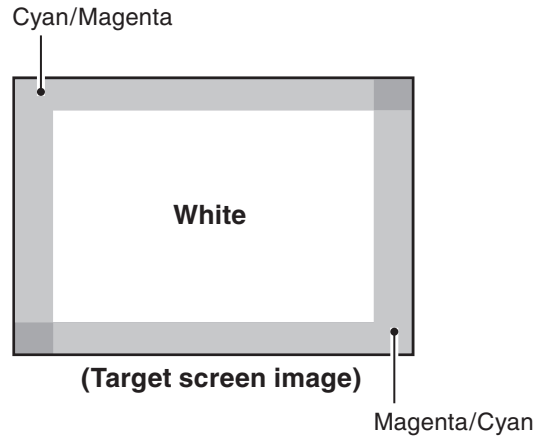


Fig.1-5

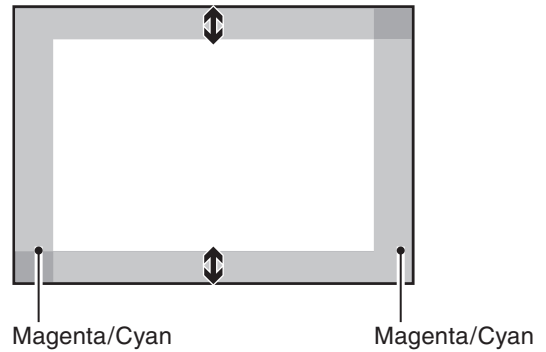


Fig.1-6

### 1-4. Condenser lens adjustment-2

- 1 Move the condenser lens to remove the color shading on the top/bottom or left/right of the screen.
  - 1) Insert a slot driver into the slot **B** and turn it to move the image horizontally as shown in **Fig.1-5**.
  - 2) Insert a slot driver into the slot **D** and turn it to move the image vertically as shown in **Fig.1-6**.
- 2 Tighten screws **A** and **C** to fix the Condenser lens.



(Target screen image)

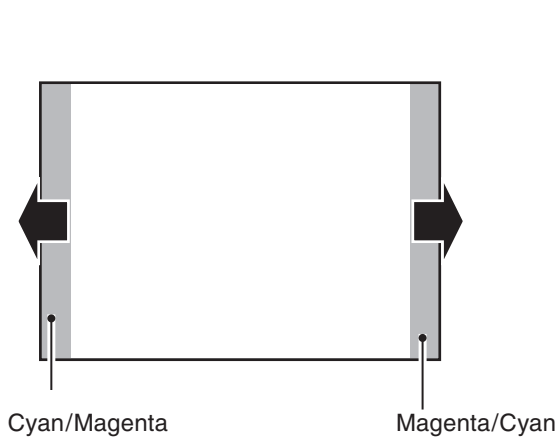
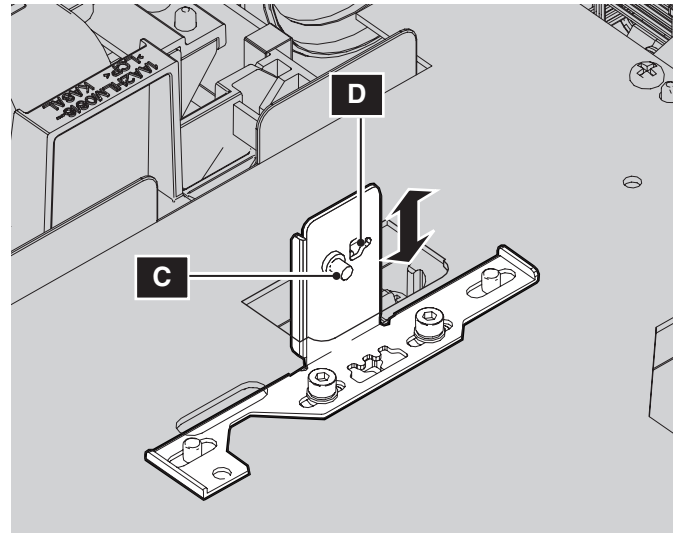
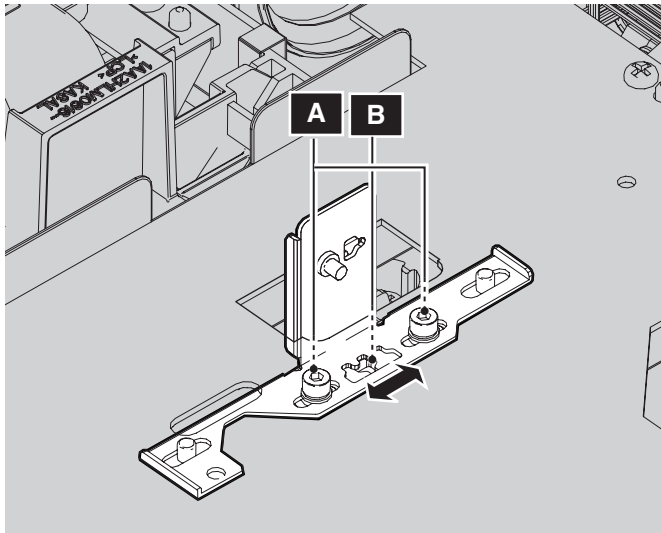


Fig.1-7

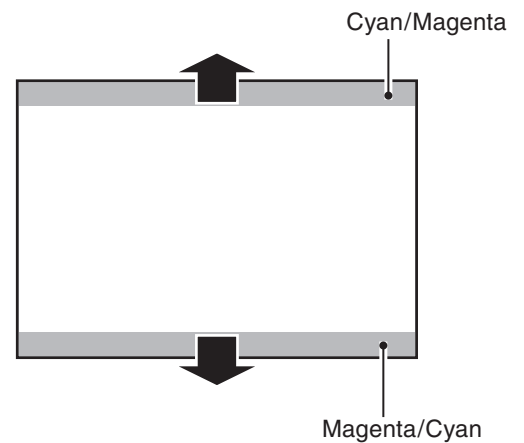
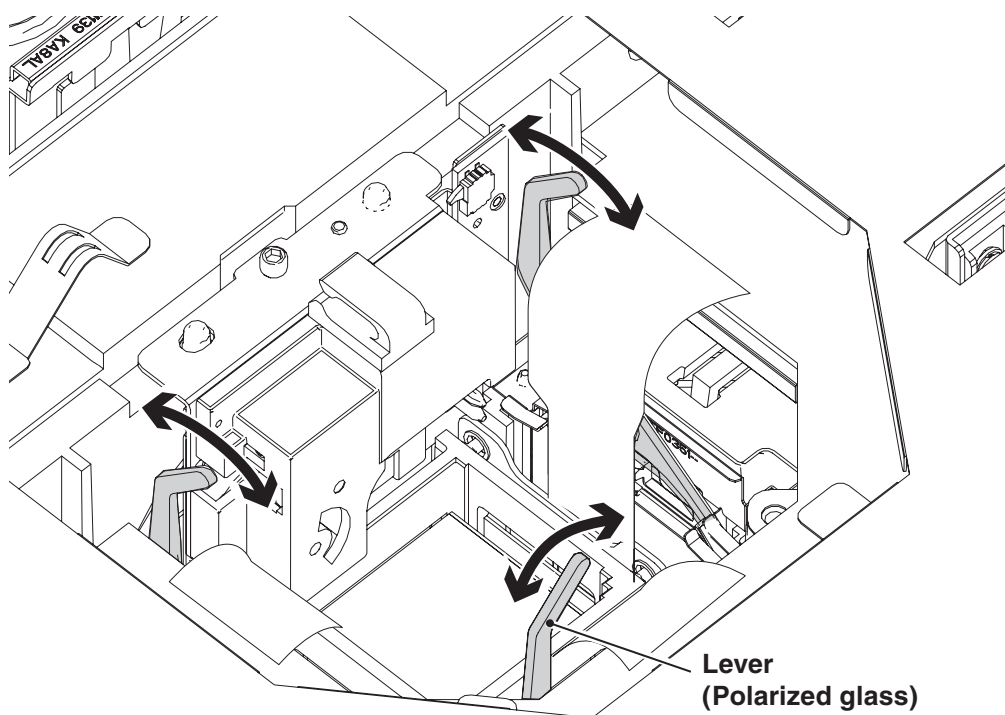


Fig.1-8

## 2. Contrast adjustment

- 1 Select the internal test pattern signal “All black” from the projector’s menu “Menu -> Setting -> Test pattern”.
- 2 Turn the lever of polarized glass to obtain the darkest brightness and proper black color uniformity on the screen.

\* This adjustment should be taken in order of G-panel, R-panel and B-panel.  
\* This adjustment should be taken in the dark room to adjust precisely.





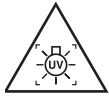
# Electrical Adjustments

## Circuit Adjustments

**CAUTION:** The each circuit has been made by the fine adjustment at factory. Do not attempt to adjust the following adjustments except requiring the readjustments in servicing otherwise it may cause loss of performance and product safety. Before taking these adjustments, turn the projector for more than 10 minutes to stabilize the operation.



**WARNING : USE UV RADIATION EYE AND SKIN PROTECTION DURING SERVICING.**



**CAUTION:**  
To prevent suffer of UV radiation, those adjustments must be completed within 25 minutes.

[Adjustment Condition]

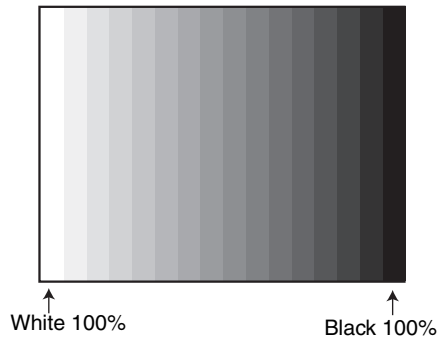
● Input signal

Analog Computer signal ..... 0.7Vp-p/75Ω terminated (XGA)

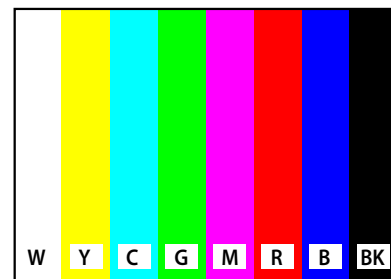
Composite Video signal ... 1.0Vp-p/75Ω terminated (NTSC / PAL)

Component Video signal .... 0.7Vp-p/75Ω terminated (480i, 480p, 720p, 1080i)

16 steps gray scale pattern



100% full color bar pattern



● Picture control mode ..... “STANDARD” mode unless otherwise noted.

● Lamp control..... “Normal” mode unless otherwise noted.

**Note:**

\* Please refer to “Service Adjustment Menu Operation” for entering the service mode and adjusting the service data.

## Electrical Adjustment

### 1 Output Voltage adjustment

After replacing the Power Board, perform the Output voltage adjustment as follows.

1. Connect a digital voltmeter to pins 2 (+) and 1 (-) of **K6A**.
2. Adjust the voltage by using VR601 as following.

AC Input	Reading
230V	370V $\pm$ 2V

Caution:

Be sure to connect the lamp when taking this adjustment.

\* This adjustment is not required even if the power board is replaced because this adjustment is carried out before parts shipment.

### 2 Fan Voltages adjustment

Equipment	Digital voltmeter
-----------	-------------------

1. Enter the service mode.
2. Adjust the voltage on each test point by changing the data values of the Group - No.

Group	No.	Fan	Test Point	Adjustment value
250	- 0	FN909	TPFN11	4.5 +0.1 -0Vdc
250	- 1	FN909	TPFN11	13.8 +0 -0.1Vdc
250	- 2	FN906	TPFN6	4.5 +0.1 -0Vdc
250	- 3	FN906	TPFN6	13.8 +0 -0.1Vdc
250	- 4	FN904	TPFN4	4.5 +0.1 -0Vdc
250	- 5	FN904	TPFN4	13.8 +0 -0.1Vdc
250	- 6	FN902	TPFN2	4.5 +0.1 -0Vdc
250	- 7	FN902	TPFN2	13.8 +0 -0.1Vdc
250	- 8	FN901	TPFN1	4.5 +0.1 -0Vdc
250	- 9	FN901	TPFN1	13.8 +0 -0.1Vdc
250	- 10	FN903	TPFN3	4.5 +0.1 -0Vdc
250	- 11	FN903	TPFN3	13.8 +0 -0.1Vdc
250	- 12	FN905	TPFN5	4.5 +0.1 -0Vdc
250	- 13	FN905	TPFN5	13.8 +0 -0.1Vdc

### 3 PC Auto calibration

Input mode	Computer mode (Input 1 RGB)
Input signal	16-step gray scale computer signal

1. Enter the service mode.
2. Select Group "260", No. "0" and set data value "0" to "1".  
The projector begins auto-calibration and then "OK" will appear on the screen.

### 4 Component Auto calibration

Input mode	Video mode (Input 2 -Component)
Input signal	100% color bar signal (480i) 100% color bar signal (480p) 100% color bar signal (720p) 100% color bar signal (1080i)

1. Enter the service mode.
2. At first, input the 100% color bar signal (480i).
3. Select Group "260", No. "0" and set data value "0" to "1".  
The projector begins auto-calibration and then "OK" will appear on the screen.
4. Change another input signal and take step 3 again.

### 5 Video Auto calibration

Input mode	Video mode (Input 3 Video)
Input signal	16-step gray scale composite video signal

1. Enter the service mode.
2. To start the auto-calibration for composite-video adjustment, select Group "260", No. "0", and then change data value "0" to "1".

After the auto-calibration completed, "OK" will appear on the screen.

Adjustments item no. [3] to [5] are carried out at the spare parts shipment in the factory, therefore they are not required when the main board is replaced with new one.

**PC, Video, Component Manual adjustment**

When the PC, Video or Component Auto Calibration fails, take the following manual adjustment instead of auto calibration.

**[1] Manual adjustment (PC)**

Input mode      Computer mode (Input 1 RGB)  
 Input signal    16-step gray scale computer signal

1. Enter the Service mode.
2. Adjust the data values listed in the table below as the 100% white part on the screen becomes the most noisy (darkest).

Group	No.	Adjustment
10	- 3	ADC-Green Gain
10	- 4	ADC-Red Gain
10	- 5	ADC-Blue Gain

**[3] Manual adjustment (Video)**

Input mode      Video mode (Input 3 Video)  
 Input signal    16-step gray scale composite video signal

1. Enter the Service mode.
2. Adjust the data values listed in the table below as the 100% white part on the screen becomes the most noisy (darkest).

Group	No.	Adjustment
20	- 0	Y Level

**[2] Manual adjustment (Component)**

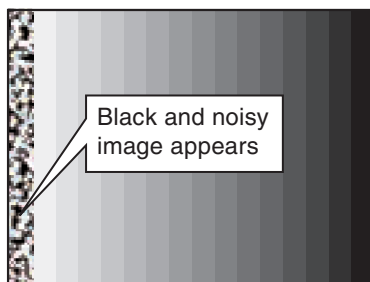
Input mode      Video mode (Input 2 -Component)  
 Input signal    100% color bar signal (480i)  
                     100% color bar signal (480p)  
                     100% color bar signal (720p)  
                     100% color bar signal (1080i)

1. Enter the Service mode.
2. At first, input the 100% color bar signal (480i).
3. Adjust the data values listed in the table below as the 100% white part on the screen becomes the most noisy (darkest).

Group	No.	Adjustment
0	- 3	Y Gain

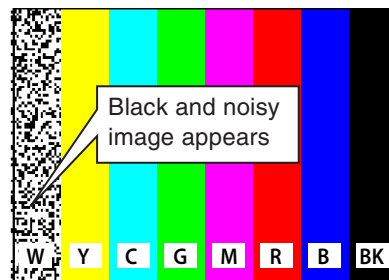
4. Change another input signal and take step 3 again.

**Image example of manual adjustment for [PC / Video]**



16-step gray scale

**Image example of manual adjustment for [Component]**



100% full color bar

## 6 Common Voltage adjustment

Input mode	Computer mode (Input 1 RGB)
Input signal	50%-RGB pattern computer signals or 16-step gray scale computer signal

1. Enter the service mode.
2. Select Group "101", No. "1" and then change data value from "2" to "0" to reduce the panel frequency.
3. Change data value to obtain **the minimum flicker** for each color on screen.

Group No.	Adjustment
100 - 11	for red flicker
100 - 9	for green flicker
100 - 10	for blue flicker

4. Select Group "101", No. "1" and then change data value from "0" to "2".

## 7 Panel Type Check and Setting

\* Before setting, you need to check which type of LCD panel is placed on the projector according to the item "LCD Panel/Prism Ass'y removal" in the chapter "Optical Parts Disassembly".

1. Enter the service mode.
2. Panel Type Check  
Select group no. "290", item no. "0". Check the data value as follows;  
Data value: 0            For L-Type of LCD Panel  
Data value: 20           For R-Type of LCD panel  
If the mounted LCD panel type and set Panel mode are differ, take the step below.
3. Panel Type Mode Setting  
Select group no. "290", item no. "1" and change data value from 10 to 0 or 20 depending on your LCD Panel type. When the data value reaches 0 or 20, it returns to 10 quickly. The gamma-characteristics changes according to your selection.

## 8 Gamma shipment adjustment

Software    PROJECTOR SERVICE TOOL v4.20

Use the software to obtain the proper gray scale. See the further information of the software instruction manual.

## 9 White Balance adjustment

Input mode	Computer mode (Input 1 RGB)
Input signal	16-step gray scale computer signal

1. Enter the service mode.
2. Change data value to obtain the proper white balance.

Group No.	Adjustment
103 - 4	Red color balance
103 - 6	Blue color balance

## 10 Color Shading Correction adjustment

Software    PROJECTOR SERVICE TOOL v4.20

Use the software to correct the color shading of the screen. See the further information of the software instruction manual.

The color shading correction adjustment for this model should be performed with the whole-gray patterns specified as below.

**4-input patterns:**  
**12% gray, 25% gray, 50% gray, 75% gray**

## 11 Wind Sensor calibration

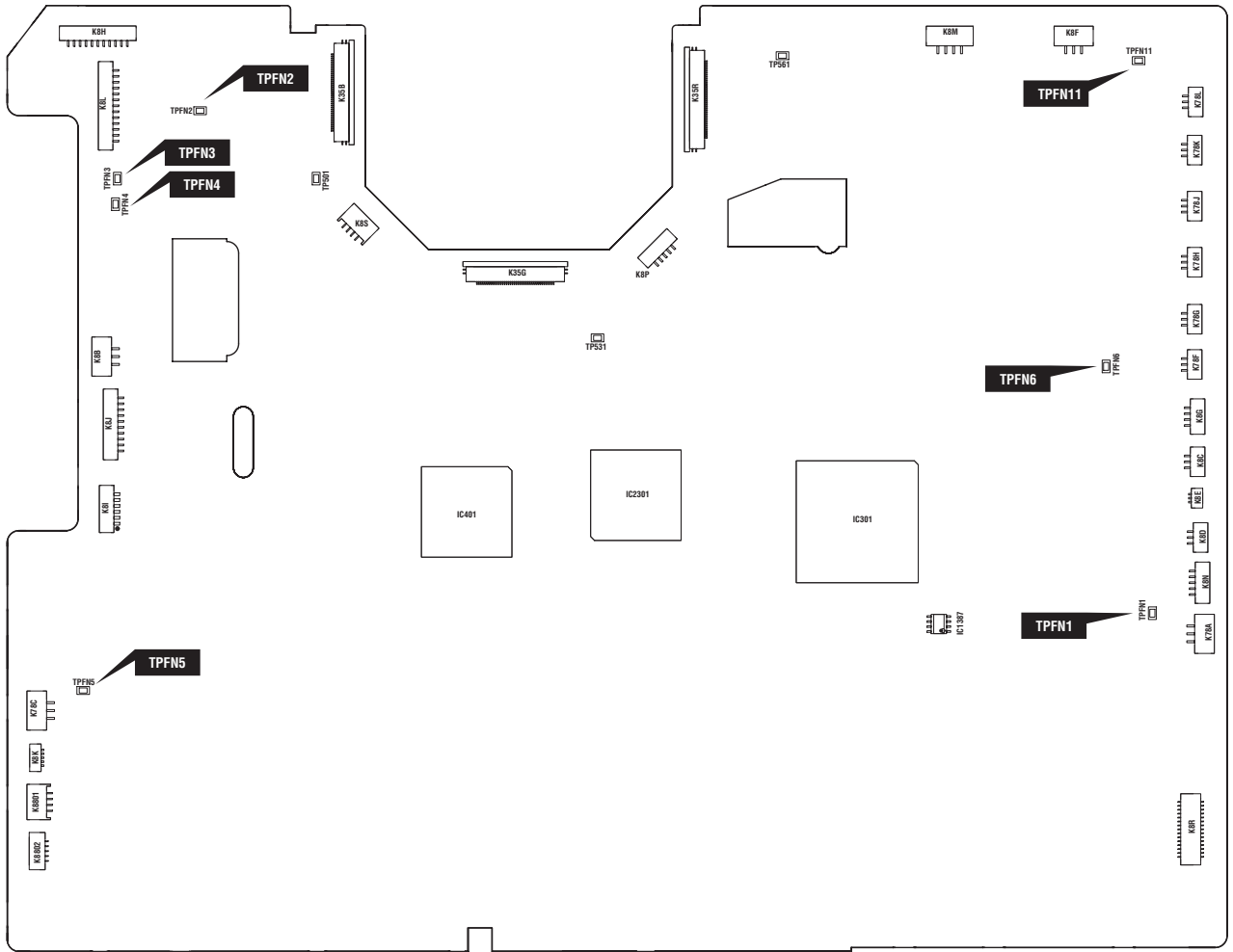
1. Enter the service mode.
2. Select group no. "240" and item no. "2". Confirm the Data value is "1".  
0: Wind sensor function Disable  
1: Wind sensor function Enable
3. Select group no. "240" and item no. "0".
4. To start the adjustment, change data value from "0" to "1". After the auto-calibration completed, "OK" will appear on the screen.

### IMPORTANT

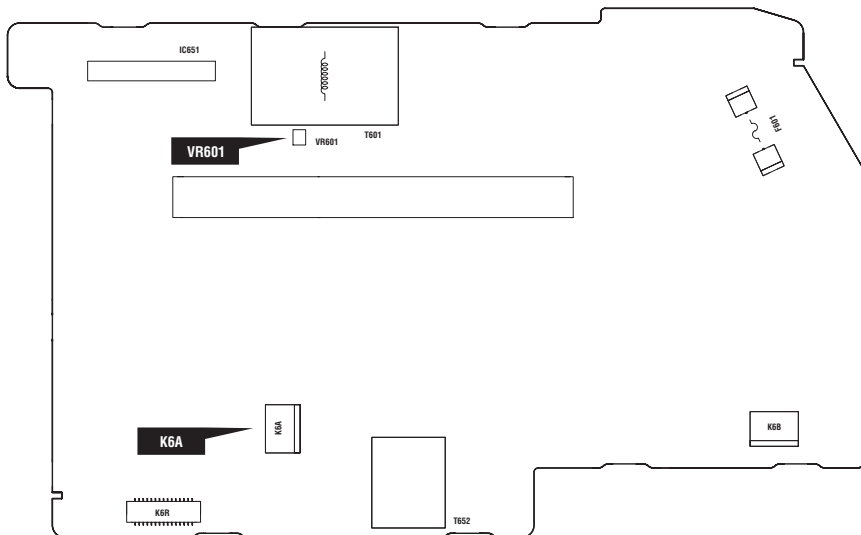
Before taking this adjustment, you need to replace the air filter with new one or scroll up the filter sheet and make sure the cabinet top, filter cover and filter cartridge are securely installed.

# Test Points and Locations

## MAIN BOARD



## POWER BOARD



## Service Adjustment Data Table

These initial values are the reference data written from the CPU ROM to memory IC when replaced new memory IC. The adjustment items indicated with “\*” are required to readjust following to the “Electrical adjustments”. Other items should be used with the initial data value.

Grp / No.	Item	Function	Range	Initial	Note
0	AD Converter (PW392)				
3	ADC G-GAIN	PC/YCbCr 480i (575i) / YCbCr 480p (575p) / YCbCr 720p (720p50) / YCbCr 1080i (1035i, 1080i50) / SCART	0 - 1023	(265)/200/210/ 210/210/265	* ( ) not effective
4	ADC R-GAIN	PC/YCbCr 480i (575i) / YCbCr 480p (575p) / YCbCr 720p (720p50) / YCbCr 1080i (1035i, 1080i50) / SCART	0 - 1023	(265)/205/210/ 210/210/265	* ( ) not effective
5	ADC B-GAIN	PC/YCbCr 480i (575i) / YCbCr 480p (575p) / YCbCr 720p (720p50) / YCbCr 1080i (1035i, 1080i50) / SCART	0 - 1023	(265)/205/210/ 210/210/255	* ( ) not effective
10	SOGTH	RGB/COMPONENT / SCART	0 - 15	(2)/4 / 4	* ( ) not effective
11	SOGHYSDIS	RGBCOMPONENT / SCART	0 - 1	(1)/1 / 0	* ( ) not effective
12	HS1TH	H Sync1 Threshold RGB/COMPONENT / SCART	0 - 7	(4)/4 / 4	* ( ) not effective
13	HS0TH	H Sync0 Threshold RGB/COMPONENT / SCART	0 - 7	(4)/4 / 4	* ( ) not effective
10	AD Converter (ISL51002/ISL98001)				
3	ADC G-GAIN	PC/YCbCr 480i (575i) / YCbCr 480p (575p) / YCbCr 720p (720p50) / YCbCr 1080i (1035i, 1080i50)	0 - 1023	290/(170/185/200/200)	* ( ) not effective
4	ADC R-GAIN	PC/YCbCr 480i (575i) / YCbCr 480p (575p) / YCbCr 720p (720p50) / YCbCr 1080i (1035i, 1080i50)	0 - 1023	290/(140/165/165/165)	* ( ) not effective
5	ADC B-GAIN	PC/YCbCr 480i (575i) / YCbCr 480p (575p) / YCbCr 720p (720p50) / YCbCr 1080i (1035i, 1080i50)	0 - 1023	290/(140/165/165/165)	* ( ) not effective
20	Video Decoder				
0	Y Level	Composite 60Hz/ S-Video 60Hz/ Composite 50Hz / S-Video 50Hz- Y Level (ADC RGB Gain)	0 - 1023	175/175/185/185	
1	C Level	Composite 60Hz / S-Video 60Hz / Composite 50Hz / S-Video 50Hz - C Level (ADC Saturation)	0 - 1023	405/405/440/440	
10	XCXL Parameter	XCXL Level	0 - 4	2	
11	Sync Amp Low	Minimum sync amplitude threshold for HLOCK 1 to 0 transition	0 - 9999	1792	
12	Sync Amp High	Minimum sync amplitude threshold for HLOCK 0 to 1 transition	0 - 9999	4096	
13	Luma Setup Enable	7.5IRE Mode (NTSC only)	0 - 1	0	
14	Anti-Alias Filter	Anti-Alias Filter	0 - 7	4	
15	Anti-Alias Downsample	Anti-Alias Downsample	0 - 3	0	
16	Anti-Alias High Frequency	Anti-Alias High Frequency	0 - 3	3	
20	Comb 3D Cross-Luma Top/Bottom Amplitude	for PAL/SECAM only	0 - 3	3	
40	General				
0	IP Mode	Set at IP OFF 0 : Not used IP Block 1: Used IP Block and IP OFF	0 - 1	1	
1	3:2 PullDown Mode	bit0: Global Motion bit1: Video Motion	1 - 3	1	
2	Detect Film Mode Enable	0: 2:3pull down & 2:2pull down 1: 2:3pull down 2: 2:2pull down	0 - 2	0	
3	NR Enable for Analog YUV	0 : Noise Reduction detected with Y and UV motion 1 : Noise Reduction detected with Y motion	0 - 1	1	
4	NR Enable for Digital YUV		0 - 1	0	
41	Deinterlacer setting Progressive Mode1, Film Parameter				
0	Motion Adaptive Weight Value	<KDEINT>	0 - 255	25	
1	Angle Interpolation Level	0 : Conservative <===== 4 : Aggressive	0 - 4	2	
2	CUE Low Pass Filter Enable	<CUELPFEN>	0 - 1	0	
42	Deinterlacer setting Progressive Mode2 Parameter				
0	Motion Adaptive Weight Value	<KDEINT>	0 - 255	0	
1	Angle Interpolation Level	0 : Conservative <===== 4 : Aggressive	0 - 4	2	
2	CUE Low Pass Filter Enable	<CUELPFEN>	0 - 1	0	
47	Noise Reduction (time) NR L1 Parameter				
0	Noise Pixel Range	<NSRANGEY> / <NSRANGEUV>	0 - 2	1	
1	Noise Region 0	<NSREGIONY0> / <NSREGIONUV0>	0 - 1023	12	
2	Noise Region 1	<NSREGIONY1> / <NSREGIONUV1>	0 - 1023	24	
3	Noise Region 2	<NSREGIONY2> / <NSREGIONUV2>	0 - 1023	40	
4	Noise Gain Level	<NSFILTERY**> / <NSFILTERUV**>	0 - 255	100	
49	Noise Reduction (time)				
0	Noise Pixel Range	<NSRANGEY> / <NSRANGEUV>	0 - 2	1	
1	Noise Region 0	<NSREGIONY0> / <NSREGIONUV0>	0 - 1023	12	
2	Noise Region 1	<NSREGIONY1> / <NSREGIONUV1>	0 - 1023	24	

## Electrical Adjustment

Grp / No.	Item	Function	Range	Initial	Note
3	Noise Region 2	<NSREGIONY2> / <NSREGIONUV2>	0 - 1023	40	
4	Noise Gain Level	<NSFILTERY**> / <NSFILTERUV**>	0 - 255	100	
50 2:2pull down setting					
0	22Film Mode Sensitivity	Film Detection Sensitivity <FILMSTVT2>	1 - 5	4	
1	22Film Mode Threshold Low	<FILMTHRD22A>	0 - 1023	80	
2	22Film Mode Threshold High	<FILMTHRD22B>	0 - 1023	120	
3	Video Motion Window Start X	<VOFSTARX>	0 - 255	10	
4	Video Motion Window Stop X	<VOFSTOPX>	0 - 255	10	
5	Video Motion Window Start Y	<VOFSTARY>	0 - 255	10	
6	Video Motion Window Stop Y	<VOFSTOPY>	0 - 255	10	
51 2:3pull down setting					
0	Global Motion Sensitivity	Film Detection Sensitivity <FILMSTVT23>	1 - 5	4	
1	Video Motion Sensitivity	Film Detection Sensitivity <VOFSTVT>	1 - 5	4	
2	Video Motion Threshold Low	<VOFTHRDA>	0 - 1023	120	
3	Video Motion Threshold High	<VOFTHRDB>	0 - 1023	180	
4	Global Motion 23Film Threshold	<FILMTHRD23>	0 - 1023	100	
5	Global Motion Window Start X	<GMDSTARX>	0 - 255	10	
6	Global Motion Window Stop X	<GMDSTOPX>	0 - 255	10	
7	Global Motion Window Start Y	<GMDSTARY>	0 - 255	10	
8	Global Motion Window Stop Y	<GMDSTOPY>	0 - 255	10	
55 LTI / CTI					
0	Video Enhancement Enable	VEHEN	0 - 1	1	
1	DLTI Gain	DLTIGAIN	0 - 15	3	
2	DLTI Frequency	DLTIFREQ	0 - 3	2	
3	Bypass Anti-Alias Filter	DTIBYPASSAAL	0 - 1	0	
4	Lower DCTI Frequency	LOWERDCTIFREQ	0 - 1	1	
5	DCTI Gain	DCTIGAIN	0 - 15	4	
6	DCTI Frequency	DCTIFREQ	0 - 3	0	
7	Color Shift Limit	COLORSHIFTLMT	0 - 3	3	
60 Sub Image					
0	Center Contrast		0 - 1023	534/534/578/492/492/534 /534/492/492/534/492	
1	Center Brightness		0 - 1023	512/512/512/512/512/496 496/512/512/496/512	
2	Center Color		0 - 1023	512/512/512/512/512/512 /512/512/512/512/512	
3	Center Tint		0 - 180	90/90/90/90/90/90/90/90/90/90	
4	Fixed Sharpness(Up Scaling)		0-37	-	
5	Fixed Sharpness(Down Scaling)		0-67	34/34/34/34/34/34/34/34/34/34	
6	Center Sharpness(No FPGA)		0-90	17/17/17/17/17/17/17/17/17/17	
7	Center WB Red	Group	0 - 1023	512/512/512/512/512/512 /512/512/512/512/512	
8	Center WB Green	Composite / S-Video / Component / Digital /D-RGB-Video /AnalogRGB / RGB-Video / HDCP-PC /HDCP-AV /SCART/ PJ- Net	0 - 1023	512/512/512/512/512/512 /512/512/512/512/512	
9	Center WB Blue	Value = (Menu Value - Menu Center) x Alpha / 10 + Center (Effective Range)	0 - 1023	512/512/512/512/512/512 /512/512/512/512/512	
10	Center BB Red	Contrast [Max] 1023 [Min] 0 Brightness [Max] 1023 [Min] 0	0 - 1023	512/512/512/512/512/512 /512/512/512/512/512	
11	Center BB Green	Color [Max] 1023 [Min] 0 Tint [Max] 180 [Min] 0	0 - 1023	512/512/512/512/512/512 /512/512/512/512/512	
12	Center BB Blue	Sharpness [Max] 57 [Min] 0 (Dummy) WB R/G/B [Max] 1023 [Min] 0 BB R/G/B [Max] 1023 [Min] 0	0 - 1023	512/512/512/512/512/512 /512/512/512/512/512	
13	Alpha Contrast		0 - 1000	60/60/60/60/60/60/60/60/60/60	
14	Alpha Brightness	Fixed Sharpness Up/Down [Max] 37 [Min] 0	0 - 1000	90/90/90/90/90/90/90/90/90/90	
15	Alpha Color		0 - 1000	140/140/140/140/140/140 /140/140/140/140/140	
16	Alpha Tint		0 - 1000	10/10/10/10/10/10/10/10/10/10	
17	Alpha Sharpness		0 - 1000	10/10/10/10/10/10/10/10/10/10	
18	Alpha WB Red		0 - 1000	40/40/40/40/40/40/40/40/40/40	
19	Alpha WB Green		0 - 1000	40/40/40/40/40/40/40/40/40/40	
20	Alpha WB Blue		0 - 1000	40/40/40/40/40/40/40/40/40/40	
21	Alpha BB Red		0 - 1000	20/20/20/20/20/20/20/20/20/20	
22	Alpha BB Green		0 - 1000	20/20/20/20/20/20/20/20/20/20	
23	Alpha BB Blue		0 - 1000	20/20/20/20/20/20/20/20/20/20	
90 SW-FPGA					
0	CLK_SHIFT	LDVS Clock Phase Adj.	-64 - 63	39	

## Electrical Adjustment

Grp / No.	Item	Function	Range	Initial	Note
100	CLK_SHIFT_STATUS		-	-	
101	REGISTER_STATUS		-	-	
100	CXA7009R				
0	G SIG Center		0 ~ 63	47	
1	B SIG Center		0 ~ 63	47	
2	R SIG Center		0 ~ 63	47	
3	G Gain Control		0 ~ 255	224	
4	B Gain Control		0 ~ 255	224	
5	R Gain Control		0 ~ 255	224	
6	G Bright Control		0 ~ 255	0	
7	B Bright Control		0 ~ 255	0	
8	R Bright Control		0 ~ 255	0	
9	G VCOM Control		0 ~ 255	92	* Common voltage adj.
10	B VCOM Control		0 ~ 255	92	* Common voltage adj.
11	R VCOM Control		0 ~ 255	92	* Common voltage adj.
12	G SID Control A		0 ~ 255	7	
13	B SID Control A		0 ~ 255	7	
14	R SID Control A		0 ~ 255	7	
15	G SID Control B		0 ~ 255	149	
16	B SID Control B		0 ~ 255	149	
17	R SID Control B		0 ~ 255	149	
18	G FRINV		0 ~ 1	1	
19	B FRINV		0 ~ 1	0	
20	R FRINV		0 ~ 1	0	
101	CXD3540_TG				
0	SCANM		0 ~ 3	2	
1	FRPM		0 ~ 2	2	* Common voltage adj.
2	SCAN_SEL		0 ~ 1	1	
3	HP		0 ~ 2047	18	
4	VP_G		0 ~ 255	6	
5	SHP_R		0 ~ 127	26	
6	SHP_G		0 ~ 127	26	
7	SHP_B		0 ~ 127	26	
8	FRP_HP		0 ~ 2047	58	
9	PRG_U		0 ~ 1023	58	
10	PRG_D		0 ~ 1023	100	
11	HST_R_PF		0 ~ 127	12	
12	HST_R_PC		0 ~ 127	7	
13	DCK1_R_WA		0 ~ 127	5	
14	DCK1_R_F		0 ~ 127	24	
15	DCK2_R_WA		0 ~ 127	6	
16	DCK2_R_F		0 ~ 127	24	
17	DCK3_R_WA		0 ~ 127	5	
18	DCK3_R_F		0 ~ 127	0	
19	DCK4_R_WA		0 ~ 127	0	
20	DCK4_R_F		0 ~ 127	0	
21	HST_G_PF		0 ~ 127	12	
22	HST_G_PC		0 ~ 127	9	
23	DCK1_G_WA		0 ~ 127	5	
24	DCK1_G_F		0 ~ 127	0	
25	DCK2_G_WA		0 ~ 127	0	
26	DCK2_G_F		0 ~ 127	0	
27	DCK3_G_WA		0 ~ 127	5	
28	DCK3_G_F		0 ~ 127	24	
29	DCK4_G_WA		0 ~ 127	0	
30	DCK4_G_F		0 ~ 127	0	
31	HST_B_PF		0 ~ 127	12	
32	HST_B_PC		0 ~ 127	9	
33	DCK1_B_WA		0 ~ 127	5	
34	DCK1_B_F		0 ~ 127	24	
35	DCK2_B_WA		0 ~ 127	0	
36	DCK2_B_F		0 ~ 127	0	
37	DCK3_B_WA		0 ~ 127	5	
38	DCK3_B_F		0 ~ 127	0	
39	DCK4_B_WA		0 ~ 127	0	
40	DCK4_B_F		0 ~ 127	0	
41	PCG_U		0 ~ 1023	58	
42	PCG_D		0 ~ 1023	144	



## Electrical Adjustment

Grp / No.	Item	Function	Range	Initial	Note
43	ENB_U		0 ~ 1023	103	
44	ENB_D		0 ~ 1023	44	
45	CLR_U		0 ~ 1023	86	
46	CLR_D		0 ~ 1023	30	
47	VCKP		0 ~ 2047	58	
48	VCKPD		0 ~ 2047	1344	
49	VSTP		0 ~ 255	78	
50	DFT_ON		0 ~ 1	0	
51	HPC_R_DAT0		0 ~ 8191	0	
52	HPC_R_DAT1		0 ~ 8191	0	
53	HPC_G_DAT0		0 ~ 8191	0	
54	HPC_G_DAT1		0 ~ 8191	0	
55	HPC_B_DAT0		0 ~ 8191	0	
56	HPC_B_DAT1		0 ~ 8191	0	
57	SCAN_HP		0 ~ 2047	58	
102	CXD3540_DSD_PRE				
0	USR_R_GAIN		0 ~ 1023	512	
1	USR_G_GAIN		0 ~ 1023	512	
2	USR_B_GAIN		0 ~ 1023	512	
3	USR_R_BRIGHT		0 ~ 8191	0	
4	USR_G_BRIGHT		0 ~ 8191	0	
5	USR_B_BRIGHT		0 ~ 8191	0	
6	FRM_DAT		0 ~ 255	0	
7	SEL_MODE		0 ~ 7	5	
8	RLR_DUM_PIX		0 ~ 127	4	
103	CXD3540_GAM				
0	GAM_ON		0 ~ 1	1	
1	GAM_R_GAIN		0 ~ 1023	512	
2	GAM_G_GAIN		0 ~ 1023	512	
3	GAM_B_GAIN		0 ~ 1023	512	
4	GAM_R_BRIGHT		0 ~ 8191	0	* White balance adj
5	GAM_G_BRIGHT		0 ~ 8191	0	
6	GAM_B_BRIGHT		0 ~ 8191	0	* White balance adj.
104	CXD3540_VXT				
0	VXT_DETECT_ON		0 ~ 1	1	
1	VXT_GSEL		0 ~ 3	2	
2	VXT_RCALC		0 ~ 1	0	
3	VXT_GCALC		0 ~ 1	0	
4	VXT_BCALC		0 ~ 1	0	
5	VXT_ON		0 ~ 1	1	
6	VXT_RDATU1		0 ~ 255	8	
7	VXT_RDATU2		0 ~ 255	7	
8	VXT_RDATU3		0 ~ 255	1	
9	VXT_GDATU1		0 ~ 255	8	
10	VXT_GDATU2		0 ~ 255	7	
11	VXT_GDATU3		0 ~ 255	1	
12	VXT_BDATU1		0 ~ 255	8	
13	VXT_BDATU2		0 ~ 255	7	
14	VXT_BDATU3		0 ~ 255	1	
15	VXT_RDATL1		0 ~ 255	4	
16	VXT_RDATL2		0 ~ 255	3	
17	VXT_RDATL3		0 ~ 255	1	
18	VXT_GDATL1		0 ~ 255	4	
19	VXT_GDATL2		0 ~ 255	3	
20	VXT_GDATL3		0 ~ 255	1	
21	VXT_BDATL1		0 ~ 255	4	
22	VXT_BDATL2		0 ~ 255	3	
23	VXT_BDATL3		0 ~ 255	1	
24	VXT_TH_ON		0 ~ 15	15	
25	VXT_TH1		0 ~ 255	38	
26	VXT_TH2		0 ~ 255	81	
27	VXT_TH3		0 ~ 255	226	
28	VXT_TH4		0 ~ 255	240	
105	CXD3540_CSC				
0	CSC_XH		0 ~ 1	0	
1	CSC_ON		0 ~ 1	1	

## Electrical Adjustment

Grp / No.	Item	Function	Range	Initial	Note
2	CSC_R_GP1		0 ~ 511	318	
3	CSC_R_GP2		0 ~ 511	290	
4	CSC_R_GP3		0 ~ 511	243	
5	CSC_R_GP4		0 ~ 511	184	
6	CSC_R_GP5		0 ~ 511	0	
7	CSC_R_GP6		0 ~ 511	0	
8	CSC_R_GP7		0 ~ 511	0	
9	CSC_R_GP8		0 ~ 511	0	
10	CSC_G_GP1		0 ~ 511	324	
11	CSC_G_GP2		0 ~ 511	296	
12	CSC_G_GP3		0 ~ 511	255	
13	CSC_G_GP4		0 ~ 511	206	
14	CSC_G_GP5		0 ~ 511	0	
15	CSC_G_GP6		0 ~ 511	0	
16	CSC_G_GP7		0 ~ 511	0	
17	CSC_G_GP8		0 ~ 511	0	
18	CSC_B_GP1		0 ~ 511	328	
19	CSC_B_GP2		0 ~ 511	299	
20	CSC_B_GP3		0 ~ 511	258	
21	CSC_B_GP4		0 ~ 511	213	
22	CSC_B_GP5		0 ~ 511	0	
23	CSC_B_GP6		0 ~ 511	0	
24	CSC_B_GP7		0 ~ 511	0	
25	CSC_B_GP8		0 ~ 511	0	
106	CXD3540_SHAD				
0	SHAD_GSEL		0 ~ 3	2	
1	SHAD_R_CALC		0 ~ 1	1	
2	SHAD_G_CALC		0 ~ 1	1	
3	SHAD_B_CALC		0 ~ 1	1	
4	SHAD_ON		0 ~ 1	1	
5	SHAD_R_DAT1		0 ~ 255	44	
6	SHAD_R_DAT2		0 ~ 255	13	
7	SHAD_R_DAT3		0 ~ 255	0	
8	SHAD_G_DAT1		0 ~ 255	44	
9	SHAD_G_DAT2		0 ~ 255	13	
10	SHAD_G_DAT3		0 ~ 255	0	
11	SHAD_B_DAT1		0 ~ 255	44	
12	SHAD_B_DAT2		0 ~ 255	13	
13	SHAD_B_DAT3		0 ~ 255	0	
14	SHAD_COEF		0 ~ 4095	1365	
107	CXD3540_VS				
0	VS_GSEL		0 ~ 3	0	
1	VS_R_RGT		0 ~ 1	0	
2	VS_G_RGT		0 ~ 1	0	
3	VS_B_RGT		0 ~ 1	0	
4	VS_CYCLE		0 ~ 1	0	
5	VS_ON		0 ~ 1	0	
6	VS_GDAT1		0 ~ 255	0	
7	VS_DAT		0 ~ 255	0	
8	VS_GDAT3		0 ~ 255	0	
9	VS_GDAT2		0 ~ 255	0	
108	CXD3540_DSDPOST1				
0	HXT_TH4_ON		0 ~ 1	0	
1	HXT_TH3_ON		0 ~ 1	0	
2	HXT_TH2_ON		0 ~ 1	0	
3	HXT_TH1_ON		0 ~ 1	0	
4	HXT_ON		0 ~ 1	0	
5	HXT_RCALC		0 ~ 1	0	
6	HXT_GCALC		0 ~ 1	0	
7	HXT_BCALC		0 ~ 1	0	
8	HXT_GSEL		0 ~ 1	0	
9	HXT_RDAT1		0 ~ 255	0	
10	HXT_RDAT2		0 ~ 255	0	
11	HXT_RDAT3		0 ~ 255	0	
12	HXT_GDAT1		0 ~ 255	0	
13	HXT_GDAT2		0 ~ 255	0	
14	HXT_GDAT3		0 ~ 255	0	

## Electrical Adjustment

Grp / No.	Item	Function	Range	Initial	Note
15	HXT_BDAT1		0 ~ 255	0	
16	HXT_BDAT2		0 ~ 255	0	
17	HXT_BDAT3		0 ~ 255	0	
18	HXT_TH1		0 ~ 255	0	
19	HXT_TH2		0 ~ 255	0	
20	HXT_TH3		0 ~ 255	0	
21	HXT_TH4		0 ~ 255	0	
22	SEL_MODE2		0 ~ 7	5	
200 Option					
0	Logo Display Prohibition	0:Menu 1:Forced	0 - 1	0	
1	RS232C Baudrate	0: 19200bps 1: 9600bps	0 - 1	0	
4	CABLE SW	Long Cable 0: Disable 1: Enable	0 - 1	0	
5	PW Debug Command Enable	0: Disable (Sanyo Serial Command Enable) 1: Enable (PW Debug Mode)	0 - 1	0	
6	Device Refresh Disable	0: Enable 1: Disable	0 - 1	0	
8	PJ-NET Hung up check	0: Enable 1: Disable	0 - 1	0	
15	Lens Shift Position Default Setting	Reset when the value is set to 10	0 - 10	0	
50	Lamp Replacement Display	1:On 0:Off	0 - 1	1	
51	Filter Warning Display	1:On 0:Off	0 - 1	1	
53	Filter Counter Reset Times	Read only	0 - 255	0	
54	Factory Default Execute Times	Read only	0 - 255	0	
55	Motor Operation Stop	0: Enable 1: Disable	0 - 1	0	
56	Menu Position Change (X)		0 - 1024	0	
57	Menu Position CHange (Y)		0 - 1024	0	
58	Lamp Go Out	Lamp goes out	0 - 1	0	
63	Source Search Enable	0: Disable, 1: Enable	0 - 1	1	
64	Input Search Skip Enable	0: Disable, 1: Enable	0 - 1	1	
70	ADC Device Select for Analog PC	0 = ISL51002, 1 = PW392 AFE	0 - 1	0	
71	ADC Device Select for Component	0 = ISL51002, 1 = PW392 AFE	0 - 1	1	
72	Component/RGB Auto switch	0: Disable, 1: Enable if set 1, disable items 70 and 71	0 - 1	0	
80	Destination	Language Set at Shipping 0:English 1:Japanese	0 - 1	0	
95	Flicker Mode 1	0: Disable, 1: Enable	0 - 1	0	
96	Flicker Mode 2		0 - 15	8	
100	Disable Auto Picture Control	0 : Normal operation 1 : Auto Picture Control Off	0 - 1	0	
110	Monitor out at Cooling	0: Output at Cooling time, 0: Disable at Cooling	0 - 1	0	
120	HDMI HPD/EDIO	0: Enable, 1: Disable	0 - 1	1	
130	Start Logo Counter	0: 30 sec. 1: 20 sec.	0 - 1	0	
201 Option (Signal)					
0	FrameLock Option	Frame Lock Setting 0:Off at PC, 1: Off at AV, 2: All Off, 3: Normal, 4: Normal	0 - 4	4	
1	Dither Enable	0: Disable 1: Enable	0 - 1	1	
3	Field Sense Invert Enable	0: Disable, 1: Enable	0 - 1	0	
205 Spread Spectrum					
0			0 - 1	1	
1			0 - 300	200	
2			1 - 500	150	
210 Lamp Control					
0	Dimmer SW	0:Auto 1:Manual	0 - 1	0	
1	Manual Control	Lamp Power Manual Control (DIMMER_CTRL_LEVEL 0(Dark)-15(Bright))	0 - 15	0	
2	DIMMER_CTRL_LEVEL1	Y Level1 Data for Dimmer	0 - 255	7	
3	DIMMER_CTRL_LEVEL2	Y Level2 Data for Dimmer	0 - 255	14	
4	DIMMER_CTRL_LEVEL3	Y Level3 Data for Dimmer	0 - 255	21	
5	DIMMER_CTRL_LEVEL4	Y Level4 Data for Dimmer	0 - 255	28	
6	DIMMER_CTRL_LEVEL5	Y Level5 Data for Dimmer	0 - 255	35	
7	DIMMER_CTRL_LEVEL6	Y Level6 Data for Dimmer	0 - 255	42	
8	DIMMER_CTRL_LEVEL7	Y Level7 Data for Dimmer	0 - 255	49	
9	DIMMER_CTRL_LEVEL8	Y Level8 Data for Dimmer	0 - 255	56	
10	DIMMER_CTRL_LEVEL9	Y Level9 Data for Dimmer	0 - 255	63	
11	DIMMER_CTRL_LEVEL10	Y Level10 Data for Dimmer	0 - 255	70	
12	DIMMER_CTRL_LEVEL11	Y Level11 Data for Dimmer	0 - 255	77	
13	DIMMER_CTRL_LEVEL12	Y Level12 Data for Dimmer	0 - 255	84	
14	DIMMER_CTRL_LEVEL13	Y Level13 Data for Dimmer	0 - 255	91	
15	DIMMER_CTRL_LEVEL14	Y Level14 Data for Dimmer	0 - 255	98	
16	DIMMER_CTRL_LEVEL15	Y Level15 Data for Dimmer	0 - 255	105	
17	DIMMER_AVERAGE_POINT	Y Average Point	1 - 16	4	
18	DIMMER_AVERAGE_DATA	Y Average Data (Read only)	-	-	

## Electrical Adjustment

Grp / No.	Item	Function	Range	Initial	Note
19	DIMMER_LEVEL_AUTO	Current Y Level (Read only)	-	-	
20	DIMMER_LEVEL_NORMAL	Dim Level at Normal	0 - 15	15	
21	DIMMER_LEVEL_ECO	Dim Level at Eco	0 - 15	0	
23	VOLTAGE_LEVEL	Lamp Voltage (Read only)	-	-	
220	Projector Error Log				
0	Warning_Log_1	Latest Error log	0 - 32767	0	
:	:	:	:	:	
49	Warning_Log_50	50th Error log	0 - 32767	0	
50	Warning_Log Reset	Log is cleared when the value is set to 10.	0 ~ 10	0	
235	Shutter				
0	PRE_MOTION	Shutter Warm - up Operation (0: Yes, 1: No)	0 - 1	Initial: 1 / Shipping: 0	
1	CMP_TRM	Chattering Detecting Term	0 - 32767	7000	
2	OUT_DLY_TRM	Output Term	0 - 32767	15000	
3	CMP_CHK_CNT	Count of Information Sync	0 - 15	10	
4	OPEN_DLY	Open Output Delay	0 - 63	0	
5	CLOSE_DLY	Close Output Delay	0 - 63	0	
6	Position Check Time	Position Check Time	1 - 255	50	
8	Enable Close Cmd	Shutter Close Command 0: Disable, 1: Enable	0 - 1	1	
9	Speed Control	Shutter Speed	0 - 255	0	
240	Flow Calibration				
0	Flow Calibration Exe	Flow Sensor Offset Calibration Start calibration when the value is set to 1.	0 - 1	0	* Wind sensor calibration.
1	Flow Calibration Error Log	Log of Calibration Error (Read only) 255: Not Calibration 0: No Error 10: 1st Calibration Not Stable Airflow 11: 1st Calibration Out of Range 20: 2nd Not Stable Airflow 21: 2nd Out of Range 100: 10th Calibration Not Stable Airflow 101: 10th Calibration Out of Range	-	255	
2	Clog Check Enable	Filter Clogged Detection by Flow Sensor (0: Disable, 1: Enable)	0 - 1	Initial: 0 / Shipping: 1	
3	Air Inlet Check Enable	Air inlet Error Detection by Wind Sensor (0: Disable, 1: Enable)	0 - 1	Initial: 0 / Shipping: 1	
4	Time Limit Auto Scroll Enable	Auto Scroll (0: Disable, 1: Enable)	0 - 1	1	
5	Clog Auto Cooling Enable	Auto Cooling at Clog (0: Disable, 1: Enable)	0 - 1	1	
6	Scroll Fail Auto Cooling Enable	Auto Cooling at Scroll Error (0: Disable, 1: Enable)	0 - 1	1	
241	Flow Ideal Data (Value will be set after calibration)				
0	Flow Ideal Data 1	Flow Sensor Theory Value No.1 Corresponding to Fan Volt No.1	0 - 1023	263	
1	Flow Ideal Data 2	Flow Sensor Theory Value No.2 Corresponding to Fan Volt No.2	0 - 1023	263	
2	Flow Ideal Data 3	Flow Sensor Theory Value No.3 Corresponding to Fan Volt No.3	0 - 1023	308	
3	Flow Ideal Data 4	Flow Sensor Theory Value No.4 Corresponding to Fan Volt No.4	0 - 1023	328	
4	Flow Ideal Data 5	Flow Sensor Theory Value No.5 Corresponding to Fan Volt No.5	0 - 1023	346	
5	Flow Ideal Data 6	Flow Sensor Theory Value No.6 Corresponding to Fan Volt No.6	0 - 1023	361	
6	Flow Ideal Data 7	Flow Sensor Theory Value No.7 Corresponding to Fan Volt No.7	0 - 1023	371	
7	Flow Ideal Data 8	Flow Sensor Theory Value No.8 Corresponding to Fan Volt No.8	0 - 1023	383	
242	Flow Calib. Fan Volt (Not Memorized)				
0	Flow Calib Fan Volt 1	Flow Sensor Calibration Fan Voltage No.1 [x10 V]	0 - 255	42	
1	Flow Calib Fan Volt 2	Flow Sensor Calibration Fan Voltage No.2 [x10 V]	0 - 255	50	
2	Flow Calib Fan Volt 3	Flow Sensor Calibration Fan Voltage No.3 [x10 V]	0 - 255	60	
3	Flow Calib Fan Volt 4	Flow Sensor Calibration Fan Voltage No.4 [x10 V]	0 - 255	75	
4	Flow Calib Fan Volt 5	Flow Sensor Calibration Fan Voltage No.5 [x10 V]	0 - 255	90	
5	Flow Calib Fan Volt 6	Flow Sensor Calibration Fan Voltage No.6 [x10 V]	0 - 255	105	
6	Flow Calib Fan Volt 7	Flow Sensor Calibration Fan Voltage No.7 [x10 V]	0 - 255	120	
7	Flow Calib Fan Volt 8	Flow Sensor Calibration Fan Voltage No.8 [x10 V]	0 - 255	138	
243	Flow Calib Effective Difference (Not Memorized)				
0	Flow Calib Effective Diff 1	Flow Sensor Calibration Range Diff No.1 [ADC]	0 - 1023	300	
1	Flow Calib Effective Diff 2	Flow Sensor Calibration Range Diff No.2 [ADC]	0 - 1023	300	
2	Flow Calib Effective Diff 3	Flow Sensor Calibration Range Diff No.3 [ADC]	0 - 1023	300	
3	Flow Calib Effective Diff 4	Flow Sensor Calibration Range Diff No.4 [ADC]	0 - 1023	300	
4	Flow Calib Effective Diff 5	Flow Sensor Calibration Range Diff No.5 [ADC]	0 - 1023	300	
5	Flow Calib Effective Diff 6	Flow Sensor Calibration Range Diff No.6 [ADC]	0 - 1023	300	
6	Flow Calib Effective Diff 7	Flow Sensor Calibration Range Diff No.7 [ADC]	0 - 1023	300	
7	Flow Calib Effective Diff 8	Flow Sensor Calibration Range Diff No.8 [ADC]	0 - 1023	300	
244	Flow Clog Threshold (Not Memorized)				
0	Flow Clog Threshold 1	Flow Sensor Clogged Threshold No.1[ADC]	0 - 1023	60	

## Electrical Adjustment

Grp / No.	Item	Function	Range	Initial	Note
1	Flow Clog Threshold 2	Flow Sensor Clogged Threshold No.2[ADC]	0 - 1023	68	
2	Flow Clog Threshold 3	Flow Sensor Clogged Threshold No.3[ADC]	0 - 1023	83	
3	Flow Clog Threshold 4	Flow Sensor Clogged Threshold No.4[ADC]	0 - 1023	102	
4	Flow Clog Threshold 5	Flow Sensor Clogged Threshold No.5[ADC]	0 - 1023	120	
5	Flow Clog Threshold 6	Flow Sensor Clogged Threshold No.6[ADC]	0 - 1023	134	
6	Flow Clog Threshold 7	Flow Sensor Clogged Threshold No.7[ADC]	0 - 1023	145	
7	Flow Clog Threshold 8	Flow Sensor Clogged Threshold No.8[ADC]	0 - 1023	158	
10	Flow Inlet Err Threshold1	Flow Sensor Inlet Err Threshold No.1[ADC]	0 - 1023	102	
11	Flow Inlet Err Threshold2	Flow Sensor Inlet Err Threshold No.2[ADC]	0 - 1023	151	
12	Flow Inlet Err Threshold3	Flow Sensor Inlet Err Threshold No.3[ADC]	0 - 1023	186	
13	Flow Inlet Err Threshold4	Flow Sensor Inlet Err Threshold No.4[ADC]	0 - 1023	234	
14	Flow Inlet Err Threshold5	Flow Sensor Inlet Err Threshold No.5[ADC]	0 - 1023	263	
15	Flow Inlet Err Threshold6	Flow Sensor Inlet Err Threshold No.6[ADC]	0 - 1023	316	
16	Flow Inlet Err Threshold7	Flow Sensor Inlet Err Threshold No.7[ADC]	0 - 1023	340	
17	Flow Inlet Err Threshold8	Flow Sensor Inlet Err Threshold No.8[ADC]	0 - 1023	376	
245	Filter Roll				
0	Take Up Bend	Remove Filter Flexure Starts when the Value is set to 1.	0 - 1	0	
1	Take Up Times	Remaining Times of Filter Scroll (Read only)	-	-	
2	Take Up Time Reset	Filter Scroll Times Reset Resets Remaining Scroll Times when the Value is set to 10.	0 - 10	0	
3	Scroll Counter Reset Time	Scroll Counter Reset Times (Read only)	0 - 255	-	
4	Scroll Information Cartridge No		0 - 2	0	
246	Flow Clog Monitor	(Read only)			
0	Real Flow Data	Real Flow Data [ADC] (Read only)	0 - 1023	-	
1	Ideal Flow Data	Theory Flow Data (Read only)	0 - 1023	-	
2	Flow Difference Data	Flow Difference Data [ADC] (Read only)	0 - 1023	-	
3	Clog Detect Flow Difference Data	Difference Data to judge the Filter Clogged [ADC] (Read only)	0 - 1023	-	
4	Warn Detect Flow Difference Data	Difference Data to judge the Filter Clogged Warning [ADC] (Read only)	0 - 1023	-	
5	Press Add Data	Add Data by Air Pressure (Read only)	0 - 1023	-	
6	Filter Scroll Timer	Timer for Filter Scroll [hour] (Read only)	0 - 32767	-	
7	Air Inlet Err Difference Data	Difference Data to judge the Inlet Error [ADC] (Read only)	0 - 1023	-	
247	Filter Scroll Time	(Read only)			
0	Filter 1st Cartridge Scroll Time 1		0 - 32767	9999	
1	Filter 1st Cartridge Scroll Time 2		0 - 32767	9999	
2	Filter 1st Cartridge Scroll Time 3		0 - 32767	9999	
3	Filter 1st Cartridge Scroll Time 4		0 - 32767	9999	
4	Filter 1st Cartridge Scroll Time 5		0 - 32767	9999	
5	Filter 1st Cartridge Scroll Time 6	1st Filter Cartridge Used time at N times Scrolling [hour] (N:1-10)	0 - 32767	9999	
6	Filter 1st Cartridge Scroll Time 7		0 - 32767	9999	
7	Filter 1st Cartridge Scroll Time 8		0 - 32767	9999	
8	Filter 1st Cartridge Scroll Time 9		0 - 32767	9999	
9	Filter 1st Cartridge Scroll Time 10		0 - 32767	9999	
10	Filter 2nd Cartridge Scroll Time 1		0 - 32767	9999	
11	Filter 2nd Cartridge Scroll Time 2		0 - 32767	9999	
12	Filter 2nd Cartridge Scroll Time 3		0 - 32767	9999	
13	Filter 2nd Cartridge Scroll Time 4		0 - 32767	9999	
14	Filter 2nd Cartridge Scroll Time 5		0 - 32767	9999	
15	Filter 2nd Cartridge Scroll Time 6	2nd Filter Cartridge Used time at N times Scrolling [hour] (N:1-10)	0 - 32767	9999	
16	Filter 2nd Cartridge Scroll Time 7		0 - 32767	9999	
17	Filter 2nd Cartridge Scroll Time 8		0 - 32767	9999	
18	Filter 2nd Cartridge Scroll Time 9		0 - 32767	9999	
19	Filter 2nd Cartridge Scroll Time 10		0 - 32767	9999	
20	Filter 3rd Cartridge Scroll Time 1		0 - 32767	9999	
21	Filter 3rd Cartridge Scroll Time 2		0 - 32767	9999	
22	Filter 3rd Cartridge Scroll Time 3		0 - 32767	9999	
23	Filter 3rd Cartridge Scroll Time 4		0 - 32767	9999	
24	Filter 3rd Cartridge Scroll Time 5		0 - 32767	9999	
25	Filter 3rd Cartridge Scroll Time 6	3rd Filter Cartridge Used time at N times Scrolling [hour] (N:1-10)	0 - 32767	9999	
26	Filter 3rd Cartridge Scroll Time 7		0 - 32767	9999	
27	Filter 3rd Cartridge Scroll Time 8		0 - 32767	9999	
28	Filter 3rd Cartridge Scroll Time 9		0 - 32767	9999	
29	Filter 3rd Cartridge Scroll Time 10		0 - 32767	9999	
248	Filter Scroll Factor	(Read only)			
0	Filter 1st Cartridge Scroll Factor 1		0 - 255	255	
1	Filter 1st Cartridge Scroll Factor 2		0 - 255	255	

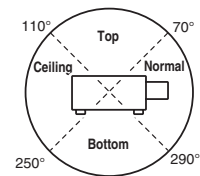
## Electrical Adjustment

Grp / No.	Item	Function	Range	Initial	Note
2	Filter 1st Cartridge Scroll Factor 3		0 - 255	255	
3	Filter 1st Cartridge Scroll Factor 4		0 - 255	255	
4	Filter 1st Cartridge Scroll Factor 5	1st Filter Cartridge Scrolling Factor at N times Scrolling (N:1-10)	0 - 255	255	
5	Filter 1st Cartridge Scroll Factor 6	0: Manual Scrolling with OSD Menu	0 - 255	255	
6	Filter 1st Cartridge Scroll Factor 7	1: Auto Scrolling detecting by Filter Clogged	0 - 255	255	
7	Filter 1st Cartridge Scroll Factor 8	2: Auto Scrolling detecting by specified maximum used time per a sheet	0 - 255	255	
8	Filter 1st Cartridge Scroll Factor 9		0 - 255	255	
9	Filter 1st Cartridge Scroll Factor 10		0 - 255	255	
10	Filter 2nd Cartridge Scroll Factor 1		0 - 255	255	
11	Filter 2nd Cartridge Scroll Factor 2		0 - 255	255	
12	Filter 2nd Cartridge Scroll Factor 3		0 - 255	255	
13	Filter 2nd Cartridge Scroll Factor 4	2nd Filter Cartridge Scrolling Factor at N times Scrolling (N:1-10)	0 - 255	255	
14	Filter 2nd Cartridge Scroll Factor 5	0: Manual Scrolling with OSD Menu	0 - 255	255	
15	Filter 2nd Cartridge Scroll Factor 6	1: Auto Scrolling detecting by Filter Clogged	0 - 255	255	
16	Filter 2nd Cartridge Scroll Factor 7	2: Auto Scrolling detecting by specified maximum used time per a sheet	0 - 255	255	
17	Filter 2nd Cartridge Scroll Factor 8		0 - 255	255	
18	Filter 2nd Cartridge Scroll Factor 9		0 - 255	255	
19	Filter 2nd Cartridge Scroll Factor 10		0 - 255	255	
20	Filter 3rd Cartridge Scroll Factor 1		0 - 255	255	
21	Filter 3rd Cartridge Scroll Factor 2		0 - 255	255	
22	Filter 3rd Cartridge Scroll Factor 3		0 - 255	255	
23	Filter 3rd Cartridge Scroll Factor 4	3rd Filter Cartridge Scrolling Factor at N times Scrolling (N:1-10)	0 - 255	255	
24	Filter 3rd Cartridge Scroll Factor 5	0: Manual Scrolling with OSD Menu	0 - 255	255	
25	Filter 3rd Cartridge Scroll Factor 6	1: Auto Scrolling detecting by Filter Clogged	0 - 255	255	
26	Filter 3rd Cartridge Scroll Factor 7	2: Auto Scrolling detecting by specified maximum used time per a sheet	0 - 255	255	
27	Filter 3rd Cartridge Scroll Factor 8		0 - 255	255	
28	Filter 3rd Cartridge Scroll Factor 9		0 - 255	255	
29	Filter 3rd Cartridge Scroll Factor 10		0 - 255	255	
249	Pressure Sensor				
0	Pressure Monitor	Pressure Value (Original) [ADC]		-	
1	Pressure Moniture	Pressure Value (Compensated)[ADC]		-	
2	Press Offset	Offset Value	-1023 - 1023	0	
3	Press Calib Effective Diff	Effective Range of Calibration	0 - 1023	1023	
4	Press Sensor Calibration Log	Calibration LOG 0: Excuted and Adquate Offset Value 10: Out of Range (Mini) 20: Out of Range (Max) 99: Not executed	-	99	
250	Fan Voltage Adjustment				* Fan voltage adj.
0	Fan 1 Min Adjust (DAC)		0-255	84	
1	Fan 1 Max Adjust (DAC)		0-255	237	
2	Fan 2 Min Adjust (DAC)		0-255	83	
3	Fan 2 Max Adjust (DAC)		0-255	240	
4	Fan 3 Min Adjust (DAC)		0-255	40	
5	Fan 3 Max Adjust (DAC)		0-255	244	
6	Fan 4 Min Adjust (DAC)	DAC Output for Fan Voltage adj.	0-255	40	
7	Fan 4 Max Adjust (DAC)	Adjust Tolerance between DAC and Fan Volt. *Lamp Mode: Eco	0-255	230	
8	Fan 5 Min Adjust (DAC)		0-255	41	
9	Fan 5 Max Adjust (DAC)		0-255	232	
10	Fan 6 Min Adjust (DAC)		0-255	43	
11	Fan 6 Max Adjust (DAC)		0-255	233	
12	Fan 7 Min Adjust (DAC)		0-255	39	
13	Fan 7 Max Adjust (DAC)		0-255	229	
252	Fan Option				
1	Safety Switch	Safety Application use	0-6	0	
2	Fan Manual Switch	Fan Manual SW (0: Auto 1: Manual)	0-1	0	
3	Fan1 Manual Voltage		0-255	100	
4	Fan2 Manual Voltage		0-255	100	
5	Fan3 Manual Voltage		0-255	100	
6	Fan4 Manual Voltage	Manual Adjustment Mode (0.1V)	0-255	100	
7	Fan5 Manual Voltage	*Effective only when Manual SW is 1.	0-255	100	
8	Fan6 Manual Voltage		0-255	100	
9	Fan7 Manual Voltage		0-255	100	
10	Angle Data A	Angle Data A (Read only)	-	-	
11	Angle Data B	Angle Data B (Read only)	-	-	
12	Press Data	Air Pressure Data (Read only)	-	-	

## Electrical Adjustment

Grp / No.	Item	Function	Range	Initial	Note		
253	(XM150) Fan Temp Error Setting	(Memorized)	Normal	Ceiling	Top	Bottom	
5	Temp A Warning (Normal)	Temp A (Room) to judge the Temp Error at Normal	30-100	47	48	46	46
6	Temp B Warning (Normal)	Temp B (Lamp) to judge the Temp Error at Normal	30-100	71	73	71	71
7	Temp C Warning (Normal)	Temp C (Panel) to judge the Temp Error at Normal	30-100	65	67	65	64
8	Temp B-A Warning (Normal)	Temp B - A (Filter Clogged) to judge the Temp Error at Normal	0-100	100	100	100	100
9	Temp C-A Warning (Normal)	Temp C - A (Filter Clogged) to judge the Temp Error at Normal	0-100	100	100	100	100
10	Temp A Warning (Eco)	Temp A (Room) to judge the Temp Error at Eco	30-100	48	48	46	46
11	Temp B Warning (Eco)	Temp B (Lamp) to judge the Temp Error at Eco	30-100	71	73	71	71
12	Temp C Warning (Eco)	Temp C (Panel) to judge the Temp Error at Eco	30-100	65	65	63	63
13	Temp B-A Warning (Eco)	Temp B - A (Filter Clogged) to judge the Temp Error at Eco	0-100	100	100	100	100
14	Temp C-A Warning (Eco)	Temp C - A (Filter Clogged) to judge the Temp Error at Eco	0-100	100	100	100	100
15	Temp A Warning Offset (Temp)		0-100		10		
16	Temp B Warning Offset (Temp)		0-100		11		
17	Temp C Warning Offset (Temp)	Temp Warning Offset (Temp)	0-100		13		
18	Temp B-A Warning Offset (Temp)		0-100		11		
19	Temp C-A Warning Offset (Temp)		0-100		13		
20	Temp A Warning Offset (Time)		0-40		30		
21	Temp B Warning Offset (Time)		0-40		25		
22	Temp C Warning Offset (Time)	Time Warning Offset (Time)	0-40		30		
23	Temp B-A Warning Offset (Time)		0-40		15		
24	Temp C-A Warning Offset (Time)		0-40		15		

253	(XM100) Fan Temp Error Setting	(Memorized)	Normal	Ceiling	Top	Bottom	
5	Temp A Warning (Normal)	Temp A (Room) to judge the Temp Error at Normal	30-100	48	47	47	47
6	Temp B Warning (Normal)	Temp B (Lamp) to judge the Temp Error at Normal	30-100	70	70	70	70
7	Temp C Warning (Normal)	Temp C (Panel) to judge the Temp Error at Normal	30-100	65	65	65	65
8	Temp B-A Warning (Normal)	Temp B - A (Filter Clogged) to judge the Temp Error at Normal	0-100	100	100	100	100
9	Temp C-A Warning (Normal)	Temp C - A (Filter Clogged) to judge the Temp Error at Normal	0-100	100	100	100	100
10	Temp A Warning (Eco)	Temp A (Room) to judge the Temp Error at Eco	30-100	47	48	47	47
11	Temp B Warning (Eco)	Temp B (Lamp) to judge the Temp Error at Eco	30-100	68	69	68	68
12	Temp C Warning (Eco)	Temp C (Panel) to judge the Temp Error at Eco	30-100	63	64	63	63
13	Temp B-A Warning (Eco)	Temp B - A (Filter Clogged) to judge the Temp Error at Eco	0-100	100	100	100	100
14	Temp C-A Warning (Eco)	Temp C - A (Filter Clogged) to judge the Temp Error at Eco	0-100	100	100	100	100
15	Temp A Warning Offset (Temp)		0-100		10		
16	Temp B Warning Offset (Temp)		0-100		11		
17	Temp C Warning Offset (Temp)	Temp Warning Offset (Temp)	0-100		13		
18	Temp B-A Warning Offset (Temp)		0-100		11		
19	Temp C-A Warning Offset (Temp)		0-100		13		
20	Temp A Warning Offset (Time)		0-40		30		
21	Temp B Warning Offset (Time)		0-40		25		
22	Temp C Warning Offset (Time)	Time Warning Offset (Time)	0-40		30		
23	Temp B-A Warning Offset (Time)		0-40		15		
24	Temp C-A Warning Offset (Time)		0-40		15		



254	(XM150) Fan Control Range Setting (Temp/Spinning)		Normal	Ceiling	Top	Bottom	
16	Normal Fan Control Min Temp		20-100	25	26	25	26
17	Normal Fan Control Max Temp	Temp Sensor Control Start/End Temp at Normal	20-100	37	37	36	36
18	Normal Fan1 Min		0000-9990	70	70	70	70
19	Normal Fan1 Max		0000-9990	138	138	138	138
20	Normal Fan2 Min		0000-9990	60	60	60	60
21	Normal Fan2 Max		0000-9990	138	138	138	138
22	Normal Fan3 Min		0000-9990	35	55	55	35
23	Normal Fan3 Max		0000-9990	35	60	60	35
24	Normal Fan4 Min	Fan Spinning Set at Normal (Min/Max) (0.1V)	0000-9990	60	60	60	60
25	Normal Fan4 Max		0000-9990	138	138	138	138
26	Normal Fan5 Min		0000-9990	70	70	70	70
27	Normal Fan5 Max		0000-9990	100	100	100	100
28	Normal Fan6 Min		0000-9990	55	35	35	60
29	Normal Fan6 Max		0000-9990	55	35	45	60
30	Normal Fan7 Min		0000-9990	56	56	65	56
31	Normal Fan7 Max		0000-9990	98	98	98	98

## Electrical Adjustment

Grp / No.	Item	Function	Range	Initial	Note	
32	Eco Fan Control Min Temp	Temp Sensor Control Start/End Temp at Eco	20-100	25 26 26	26	
33	Eco Fan Control Max Temp		20-100	37 37 35	35	
34	Eco Fan1 Min	Fan Spinning Set at Eco (Min/Max) (0.1V)	0000-9990	45 45 45	45	
35	Eco Fan1 Max		0000-9990	120 120 120	120	
36	Eco Fan2 Min		0000-9990	42 42 42	42	
37	Eco Fan2 Max		0000-9990	120 120 120	120	
38	Eco Fan3 Min		0000-9990	35 40 40	35	
39	Eco Fan3 Max		0000-9990	35 40 40	35	
40	Eco Fan4 Min		0000-9990	45 45 45	45	
41	Eco Fan4 Max		0000-9990	120 120 120	120	
42	Eco Fan5 Min		0000-9990	55 55 55	55	
43	Eco Fan5 Max		0000-9990	80 80 80	80	
44	Eco Fan6 Min		0000-9990	40 35 35	40	
45	Eco Fan6 Max		0000-9990	40 35 35	40	
46	Eco Fan7 Min		0000-9990	45 50 55	45	
47	Eco Fan7 Max		0000-9990	98 98 98	98	
254	(XM100) Fan Control Range Setting (Temp/Spinning)		Normal	Ceiling	Top	Bottom
16	Normal Fan Control Min Temp	Temp Sensor Control Start/End Temp at Normal	20-100	25 26 25	25	26
17	Normal Fan Control Max Temp		20-100	37 37 36	36	36
18	Normal Fan1 Min	Fan Spinning Set at Normal (Min/Max) (0.1V)	0000-9990	70 70 70	70	70
19	Normal Fan1 Max		0000-9990	138 138 138	138	138
20	Normal Fan2 Min		0000-9990	60 60 60	60	60
21	Normal Fan2 Max		0000-9990	138 138 138	138	138
22	Normal Fan3 Min		0000-9990	40 70 70	40	40
23	Normal Fan3 Max		0000-9990	40 70 70	40	40
24	Normal Fan4 Min		0000-9990	60 60 60	60	60
25	Normal Fan4 Max		0000-9990	138 138 138	138	138
26	Normal Fan5 Min		0000-9990	70 70 70	70	70
27	Normal Fan5 Max		0000-9990	100 100 100	100	100
28	Normal Fan6 Min		0000-9990	70 40 40	70	70
29	Normal Fan6 Max		0000-9990	70 40 40	70	70
30	Normal Fan7 Min		0000-9990	56 56 65	56	56
31	Normal Fan7 Max		0000-9990	98 98 98	98	98
32	Eco Fan Control Min Temp	Temp Sensor Control Start/End Temp at Eco	20-100	25 25 25	25	25
33	Eco Fan Control Max Temp		20-100	36 36 36	36	36
34	Eco Fan1 Min	Fan Spinning Set at Eco (Min/Max) (0.1V)	0000-9990	45 45 45	45	45
35	Eco Fan1 Max		0000-9990	120 120 120	120	120
36	Eco Fan2 Min		0000-9990	42 42 42	42	42
37	Eco Fan2 Max		0000-9990	120 120 120	120	120
38	Eco Fan3 Min		0000-9990	40 50 50	40	40
39	Eco Fan3 Max		0000-9990	40 50 50	40	40
40	Eco Fan4 Min		0000-9990	45 45 45	45	45
41	Eco Fan4 Max		0000-9990	120 120 120	120	120
42	Eco Fan5 Min		0000-9990	55 55 55	55	55
43	Eco Fan5 Max		0000-9990	80 80 80	80	80
44	Eco Fan6 Min		0000-9990	50 40 40	50	50
45	Eco Fan6 Max		0000-9990	50 40 40	50	50
46	Eco Fan7 Min		0000-9990	45 50 55	45	45
47	Eco Fan7 Max		0000-9990	98 98 98	98	98
255	(XM150) Fan Start/Cooling Setting					
0	Fan1 Initial Volt	Fan Start Voltage (0.1V)	0-255	45		
1	Fan2 Initial Volt		0-255	45		
2	Fan3 Initial Volt		0-255	45		
3	Fan4 Initial Volt		0-255	45		
4	Fan5 Initial Volt		0-255	65		
5	Fan6 Initial Volt		0-255	45		
6	Fan7 Initial Volt		0-255	55		
8	Cooling Time	Coolong Time Setting (x30 sec.) 1: 30 3: 90 15: 450	1-15	3		
10	Temp Error Cooling Time	Cooling Time Setting When the Temp Error occurs (x30 sec.) 1: 30 3: 90 15: 450	1-15	3		
11	OnStart Cooling Start Threshold		0-100	38		
12	After shutdown cooling	Cooling Operation after Shut Down (0: No, 1: Yes)	0-1	1		



## Electrical Adjustment

Grp / No.	Item	Function	Range	Initial	Note
255	(XM100) Fan Start/Cooling Setting				
0	Fan1 Initial Volt		0-255	45	
1	Fan2 Initial Volt		0-255	45	
2	Fan3 Initial Volt		0-255	70	
3	Fan4 Initial Volt	Fan Start Voltage (0.1V)	0-255	45	
4	Fan5 Initial Volt		0-255	65	
5	Fan6 Initial Volt		0-255	70	
6	Fan7 Initial Volt		0-255	55	
8	Cooling Time	Coolong Time Setting (x30 sec.) 1: 30 3: 90 15: 450	1-15	3	
10	Temp Error Cooling Time	Cooling Time Setting When the Temp Error occurs (x30 sec.) 1: 30 3: 90 15: 450	1-15	3	
11	OnStart Cooling Start Threshold		0-100	38	
12	After shutdown cooling	Cooling Operation after Shut Down (0: No, 1: Yes)	0-1	1	
256	Fan Lamp Voltage Down Setting				
0	Lamp Voltage	Current Lamp Voltage (0.1V) (Read only)	0-255	---	
1	Lamp Vol Threshold	Threshold Voltage (0.1V)	30-90	30	
2	Fan1 Speed Gain	Fan Speed Ad Gain (0.1V)	0-1500	0	
3	Fan2 Speed Gain		0-1500	10	
4	Fan3 Speed Gain		0-1500	10	
5	Fan4 Speed Gain		0-1500	10	
257	Fan Setting at Dimmer				
0	Dimmer Average Check Period	Dimmer Average Check Period (sec.) 0: 10, 1: 30, 2: 60, 3: 90.....10:300	0-10	1	
259	Fan Air Pressure Setting				
0	Press Source Range Low	Pressure Sensor Control Range (AD)	0-1023	661	
1	Press Source Range High		0-1023	398	
6	Press Fan Add Range High	Add value of Fan control for Lamp Fan at Normal	0-5000	10	
7	Press Fan Add Range Low		0-5000	30	
8	Press Fan Add Range High	Add value of Fan control for other fans at Normal	0-5000	20	
9	Press Fan Add Range Low		0-5000	40	
10	Press Fan Add Range High	Add value of Fan control for Lamp Fan at Eco	0-5000	5	
11	Press Fan Add Range Low		0-5000	15	
12	Press Fan Add Range High	Add value of Fan control for other fans at Eco	0-5000	20	
13	Press Fan Add Range Low		0-5000	40	
17	Temp A Warning Normal Highland	Temp A (Room) to judge the Temp Error at Normal/Highland	0 - 100	48	
18	Temp B Warning Normal Highland	Temp B (Lamp) to judge the Temp Error at Normal/Highland	0 - 100	73	
19	Temp CB Warning Normal Hiland	Temp C (Panel) to judge the Temp Error at Normal/Highland	0 - 100	67	
20	Temp A Warning Eco Highland	Temp A (Room) to judge the Temp Error at Eco/Highland	0 - 100	48	
21	Temp B Warning Eco Highland	Temp B (Lamp) to judge the Temp Error at Eco/Highland	0 - 100	71	
22	Temp C Warning Eco Hilghand	Temp C (Panel) to judge the Temp Error at Eco/Highland	0 - 100	65	
260	Auto Calibration (Common)				* Auto calibration
0	Execute Calibration	Execute Calibration when the Value is changed. (For PC White 100%)	0 - 1	0	
1	Loop Count	Max Times of Calibration	1 - 30	8	
2	Auto Status	Calibration Log (Read only) 0: Calibration End Correctly 1: On Adjusting 9: Calibration Error	0 / 1 / 9	0	
3	AutoWait	Waiting time	1 - 20	3	
4	CHECK - Tolerance	Tolerance of Offset	1 - 255	4	
5	Time out wait	Wait Time until Time out [sec.]	1 - 255	20	
261	Auto Calibration (RGB)	PW392-AFE MDL <10bits>			
0	OFFSET AREA H START	Black Level Acq. Area H Start	0 - 1000	975	
1	OFFSET AREA V START	Black Level Acq. Area V Start	0 - 1000	500	
2	GAIN AREA H START	White Level Acq. Area H Start	0 - 1000	25	
3	GAIN AREA V START	White Level Acq. Area V Start	0 - 1000	500	
4	Image AREA H WIDTH	Black/White Level Area Width	0 - 4095	13	
5	Image AREA V HEIGHT	Black/White Level Area Height	0 - 4095	9	
6	OFFSET Target	Black Level Adj target	0 - 1023	20	
7	OFFSET Tolerance	Black Level Adj tolerance	1 - 1023	1	
8	GAIN Target	White Level Adj target	0 - 1023	955	
9	GAIN Tolerance	White Level Adj tolerance	1 - 1023	1	
10	Image Level Tolerance	Acq. Image Level Adj Tolerance	1 - 255	8	

## Electrical Adjustment

Grp / No.	Item	Function	Range	Initial	Note
262	Auto Calibration (CVBS/SVIDEO)	PW392-AFE MDL <10bits>			
0	Y Image Area Start X	Y Image Area H Start	0 - 1000	20	
1	Y Image Area Start Y	Y Image Area V Start	0 - 1000	200	
6	Image Area H WIDTH	Image Level Acq. Width	0 - 4095	8	
7	Image Area V HEIGHT	Image Level Acq. Height	0 - 4095	9	
8	Y Target Level	Y Level Adj target	0 - 1023	875	
11	Gain Tolerance	Level Adj Tolerance	1 - 255	1	
12	Image Level Tolerance	Acq. Image Level Adj Tolerance	1 - 255	2	
264	Auto Calibration (YCbCr)	PW392-AFE MDL <10bits>			
0	Y-OFFSET AREA H START	Y - Offset Acq Area H Start	0 - 1000	925	
1	Y-OFFSET AREA V START	Y - Offset Acq Area V Start	0 - 1000	500	
2	CB - OFFSET AREA H START	CB - Offset Acq. Area H Start	0 - 1000	925	
3	CB - OFFSET AREA V START	CB - Offset Acq. Area V Start	0 - 1000	500	
4	CR - OFFSET AREA H START	CR - Offset Acq. Area H Start	0 - 1000	925	
5	CR - OFFSET AREA V START	CR - Offset Acq. Area V Start	0 - 1000	500	
6	Y - GAIN AREA H START	Y	0 - 1000	50	
7	Y - GAIN AREA V START		0 - 1000	500	
8	CB - GAIN AREA H START		0 - 1000	800	
9	CB - GAIN AREA V START		0 - 1000	500	
10	CR - GAIN AREA H START		0 - 1000	700	
11	CR - GAIN AREA V START		0 - 1000	500	
12	Image AREA H WIDTH	YCBCR Level Acq. Width	0 - 4095	13	
13	Image AREA V HEIGHT	YCBCR Level Acq. Height	0 - 4095	9	
14	Y - OFFSET TARGET		0 - 1023	4	
15	CB OFFSET TARGET		0 - 1023	512	
16	CR OFFSET TARGET		0 - 1023	512	
17	Y - GAIN TARGET		0 - 1023	810	
18	CB - GAIN TARGET		0 - 1023	894	
19	CR - GAIN TARGET		0 - 1023	894	
20	OFFSET Tolerance	OFFSET Adj Tolerance	1 - 255	1	
21	GAIN Tolerance	GAIN Adj Tolerance	1 - 255	1	
22	Image Level Tolerance	Acq. Image Level Adj Tolerance	1 - 255	8	
280	AutoPC Adjsut				
0	AutoPCAdjustEnable	Auto PC Operation with the un-supported signal in. 0: Enable 1: Disable	0 - 1	0	
1	Frequency Step	TotalDot Search Step	0-3	1	
2	Frequency Threshold	TotalDot Match	0 - 10	5	
3	Fine Phase	Phase after Total Dot Adj. 0: Fine Phase Execute 1: Fine Phase Not Execute	0 - 1	1	
4	BLKDET	Black Level Detect Area	0 - 7	1	
5	PHASEMSK	Phase Detect Filter 0: All Bits Enable, 1: Lower 1 bit Disable, 2: Lower 2 bit Disable, 3: Lower 3 bits Disable	0 - 3	0	
290	Panel Type				
0	Gamma L/R-View	Panel Type Check 0: L-Type, 20: R-Type	0 - 20	0	* Panel Type Change
1	Gamma L/R-Change	Panel Type Change Panel Type is changed from 10 to 0 (L-Type) or from 10 to 20 (R-type)	0 - 20	10	
300	Closed Caption				
0	Caption Mode	Caption Mode Select 0: OFF 1: CC1 2: CC2 3: CC3 4: CC4	0-4	0	
1	Color Mode	Color Mode 0: Follow to transmit Data 1: Fixed	0-1	0	
500	Composite (NTSC)	Composite / S-Video			
1	Disp Dots		0 - 4095	674	
2	H Back Porch		0 - 4095	24	
3	V Back Porch		0 - 4095	18	
4	Disp Line		0 - 4095	454	
501	Composite (PAL)	Composite / S-Video			
1	Disp Dots		0 - 4095	662	
2	H Back Porch		0 - 4095	32	
3	V Back Porch		0 - 4095	18	
4	Disp Line		0 - 4095	542	
502	Composite (SECAM)	Composite / S-Video			
1	Disp Dots		0 - 4095	662	

## Electrical Adjustment

Grp / No.	Item	Function	Range	Initial	Note
2	H Back Porch		0 - 4095	32	
3	V Back Porch		0 - 4095	18	
4	Disp Line		0 - 4095	542	
510 SCART(480i)					
0	Total Dots		0 - 4095	858	
1	Disp Dots		0 - 4095	672	
2	H Back Porch		0 - 4095	142	
3	V Back Porch		0 - 4095	42	
4	Disp Line		0 - 4095	458	
5	Clamp		0 - 255	59	
6	Clamp Width		0 - 255	20	
511 SCART (575i)					
0	Total Dots		0 - 4095	864	
1	Disp Dots		0 - 4095	656	
2	H Back Porch		0 - 4095	148	
3	V Back Porch		0 - 4095	56	
4	Disp Line		0 - 4095	544	
5	Clamp		0 - 255	68	
6	Clamp Width		0 - 255	20	
520 YCbCr (480i)					
0	Total Dots		0 - 4095	858	
1	Disp Dots		0 - 4095	672	
2	H Back Porch		0 - 4095	145	
3	V Back Porch		0 - 4095	44	
4	Disp Line		0 - 4095	456	
5	Clamp		0 - 255	92	
6	Clamp Width		0 - 255	20	
521 YCbCr (575i)					
0	Total Dots		0 - 4095	846	
1	Disp Dots		0 - 4095	658	
2	H Back Porch		0 - 4095	162	
3	V Back Porch		0 - 4095	58	
4	Disp Line		0 - 4095	542	
5	Clamp		0 - 255	98	
6	Clamp Width		0 - 255	20	
522 YCbCr (480P)					
0	Total Dots		0 - 4095	1716	
1	Disp Dots		0 - 4095	1368	
2	H Back Porch		0 - 4095	280	
3	V Back Porch		0 - 4095	46	
4	Disp Line		0 - 4095	458	
5	Clamp		0 - 255	188	
6	Clamp Width		0 - 255	20	
523 YCbCr (575P)					
0	Total Dots		0 - 4095	1728	
1	Disp Dots		0 - 4095	1360	
2	H Back Porch		0 - 4095	298	
3	V Back Porch		0 - 4095	58	
4	Disp Line		0 - 4095	544	
5	Clamp		0 - 255	198	
6	Clamp Width		0 - 255	20	
524 YCbCr (720P - 60)					
0	Total Dots		0 - 4095	1650	
1	Disp Dots		0 - 4095	1249	
2	H Back Porch		0 - 4095	316	
3	V Back Porch		0 - 4095	34	
4	Disp Line		0 - 4095	700	
5	Clamp		0 - 255	187	
6	Clamp Width		0 - 255	20	
525 YCbCr (720P - 50)					
0	Total Dots		0 - 4095	1980	
1	Disp Dots		0 - 4095	1248	

## Electrical Adjustment

Grp / No.	Item	Function	Range	Initial	Note
2	H Back Porch		0 - 4095	316	
3	V Back Porch		0 - 4095	34	
4	Disp Line		0 - 4095	700	
5	Clamp		0 - 255	183	
6	Clamp Width		0 - 255	20	
526	YCbCr (1080i - 60)				
0	Total Dots		0 - 4095	2200	
1	Disp Dots		0 - 4095	1874	
2	H Back Porch		0 - 4095	258	
3	V Back Porch		0 - 4095	50	
4	Disp Line		0 - 4095	1050	
5	Clamp		0 - 255	168	
6	Clamp Width		0 - 255	20	
527	YCbCr (1080i - 50)				
0	Total Dots		0 - 4095	2640	
1	Disp Dots		0 - 4095	1872	
2	H Back Porch		0 - 4095	258	
3	V Back Porch		0 - 4095	50	
4	Disp Line		0 - 4095	1052	
5	Clamp		0 - 255	168	
6	Clamp Width		0 - 255	20	
528	YCbCr (1035i)				
0	Total Dots		0 - 4095	2200	
1	Disp Dots		0 - 4095	1874	
2	H Back Porch		0 - 4095	258	
3	V Back Porch		0 - 4095	90	
4	Disp Line		0 - 4095	1006	
5	Clamp		0 - 255	168	
6	Clamp Width		0 - 255	20	
529	YCbCr (1080P-60)				
0	Total Dots		0 - 4095	1100	
1	Disp Dots		0 - 4095	936	
2	H Back Porch		0 - 4095	127	
3	V Back Porch		0 - 4095	52	
4	Disp Line		0 - 4095	1052	
5	Clamp		0 - 255	88	
6	Clamp Width		0 - 255	16	
530	YCbCr (1080P-50)				
0	Total Dots		0 - 4095	1320	
1	Disp Dots		0 - 4095	934	
2	H Back Porch		0 - 4095	128	
3	V Back Porch		0 - 4095	52	
4	Disp Line		0 - 4095	1052	
5	Clamp		0 - 255	88	
6	Clamp Width		0 - 255	16	
531	YCbCr (1080P-30)				
0	Total Dots		0 - 4095	2200	
1	Disp Dots		0 - 4095	1868	
2	H Back Porch		0 - 4095	260	
3	V Back Porch		0 - 4095	46	
4	Disp Line		0 - 4095	1066	
5	Clamp		0 - 255	162	
6	Clamp Width		0 - 255	31	
532	YCbCr (1080P-24)				
0	Total Dots		0 - 4095	2640	
1	Disp Dots		0 - 4095	1872	
2	H Back Porch		0 - 4095	258	
3	V Back Porch		0 - 4095	48	
4	Disp Line		0 - 4095	1064	
5	Clamp		0 - 255	140	
6	Clamp Width		0 - 255	31	
533	YCbCr (1080P-24)				

## Electrical Adjustment

Grp / No.	Item	Function	Range	Initial	Note
0	Total Dots		0 - 4095	2750	
1	Disp Dots		0 - 4095	1874	
2	H Back Porch		0 - 4095	256	
3	V Back Porch		0 - 4095	52	
4	Disp Line		0 - 4095	1052	
5	Clamp		0 - 255	140	
6	Clamp Width		0 - 255	31	
534	YCbCr (1080PSF-30)				
0	Total Dots		0 - 4095	2200	
1	Disp Dots		0 - 4095	1875	
2	H Back Porch		0 - 4095	249	
3	V Back Porch		0 - 4095	90	
4	Disp Line		0 - 4095	1013	
5	Clamp		0 - 255	98	
6	Clamp Width		0 - 255	31	
535	YCbCr (1080PSF-25)				
0	Total Dots		0 - 4095	2640	
1	Disp Dots		0 - 4095	1875	
2	H Back Porch		0 - 4095	249	
3	V Back Porch		0 - 4095	90	
4	Disp Line		0 - 4095	1013	
5	Clamp		0 - 255	98	
6	Clamp Width		0 - 255	31	
536	YCbCr (1080PSF-24)				
0	Total Dots		0 - 4095	2750	
1	Disp Dots		0 - 4095	1878	
2	H Back Porch		0 - 4095	254	
3	V Back Porch		0 - 4095	50	
4	Disp Line		0 - 4095	1052	
5	Clamp		0 - 255	178	
6	Clamp Width		0 - 255	31	
540	RGB Video (480i)				
0	Total Dots		0 - 4095	1716	
1	Disp Dots		0 - 4095	1346	
2	H Back Porch		0 - 4095	323	
3	V Back Porch		0 - 4095	50	
4	Disp Line		0 - 4095	460	
5	Clamp		0 - 255	80	
6	Clamp Width		0 - 255	20	
541	RGB Video (575i)				
0	Total Dots		0 - 4095	1728	
1	Disp Dots		0 - 4095	1318	
2	H Back Porch		0 - 4095	366	
3	V Back Porch		0 - 4095	64	
4	Disp Line		0 - 4095	536	
5	Clamp		0 - 255	80	
6	Clamp Width		0 - 255	20	
542	RGB Video (480P)				
0	Total Dots		0 - 4095	1716	
1	Disp Dots		0 - 4095	1368	
2	H Back Porch		0 - 4095	281	
3	V Back Porch		0 - 4095	56	
4	Disp Line		0 - 4095	458	
5	Clamp		0 - 255	70	
6	Clamp Width		0 - 255	20	
543	RGB Video (575P)				
0	Total Dots		0 - 4095	1728	
1	Disp Dots		0 - 4095	1360	
2	H Back Porch		0 - 4095	300	
3	V Back Porch		0 - 4095	73	
4	Disp Line		0 - 4095	540	
5	Clamp		0 - 255	70	
6	Clamp Width		0 - 255	20	

## Electrical Adjustment

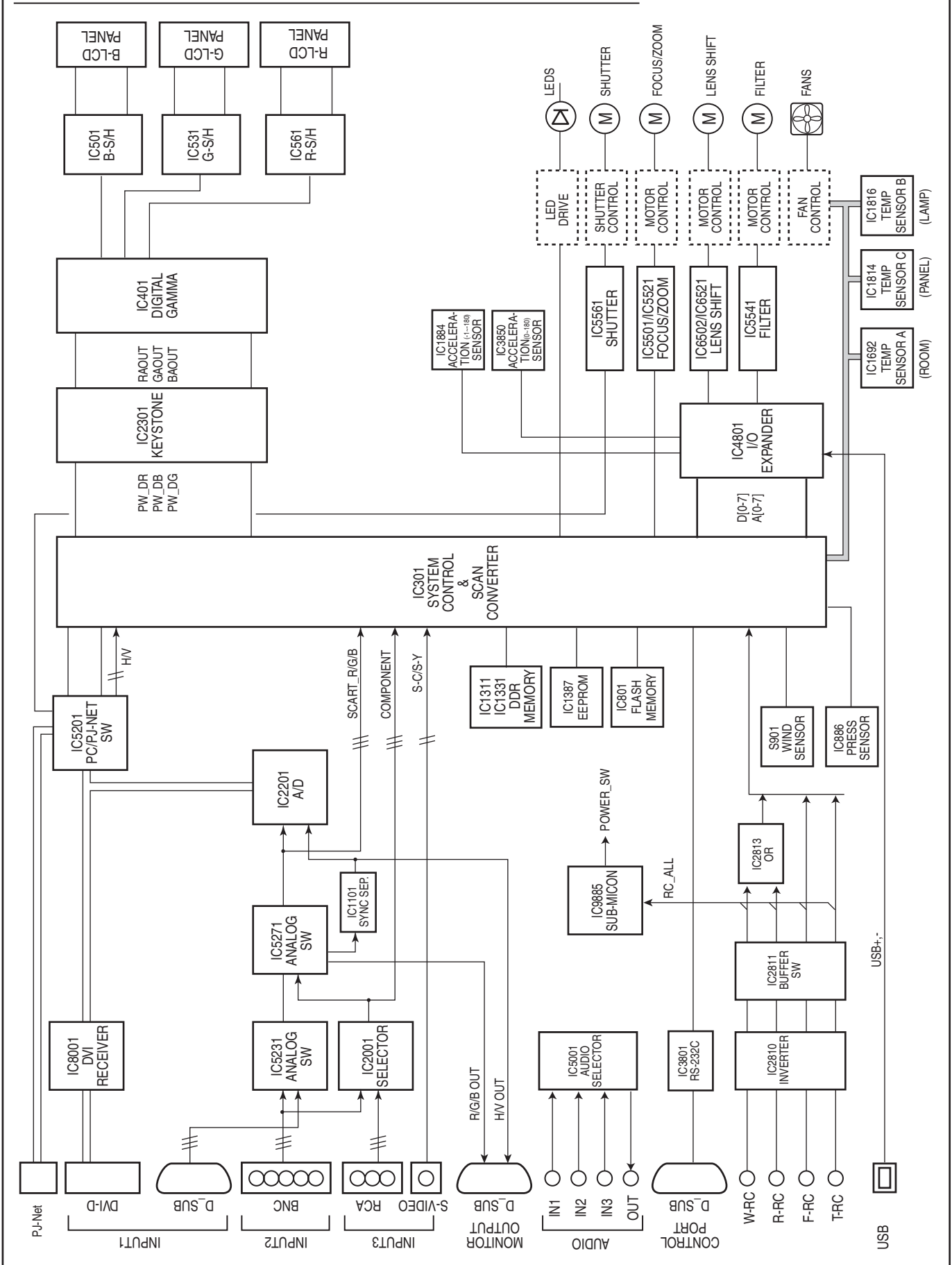
Grp / No.	Item	Function	Range	Initial	Note
544	RGB Video (720P - 60 )				
0	Total Dots		0 - 4095	1650	
1	Disp Dots		0 - 4095	1248	
2	H Back Porch		0 - 4095	315	
3	V Back Porch		0 - 4095	34	
4	Disp Line		0 - 4095	700	
5	Clamp		0 - 255	110	
6	Clamp Width		0 - 255	31	
545	RGB Video (720P - 50 )				
0	Total Dots		0 - 4095	1980	
1	Disp Dots		0 - 4095	1248	
2	H Back Porch		0 - 4095	306	
3	V Back Porch		0 - 4095	34	
4	Disp Line		0 - 4095	700	
5	Clamp		0 - 255	110	
6	Clamp Width		0 - 255	31	
546	RGB Video (1080i - 60)				
0	Total Dots		0 - 4095	2200	
1	Disp Dots		0 - 4095	1872	
2	H Back Porch		0 - 4095	250	
3	V Back Porch		0 - 4095	54	
4	Disp Line		0 - 4095	1052	
5	Clamp		0 - 255	80	
6	Clamp Width		0 - 255	31	
547	RGB Video (1080i - 50)				
0	Total Dots		0 - 4095	2640	
1	Disp Dots		0 - 4095	1870	
2	H Back Porch		0 - 4095	252	
3	V Back Porch		0 - 4095	52	
4	Disp Line		0 - 4095	1052	
5	Clamp		0 - 255	80	
6	Clamp Width		0 - 255	31	
548	RGB Video (1035i)				
0	Total Dots		0 - 4095	2200	
1	Disp Dots		0 - 4095	1872	
2	H Back Porch		0 - 4095	252	
3	V Back Porch		0 - 4095	90	
4	Disp Line		0 - 4095	1012	
5	Clamp		0 - 255	80	
6	Clamp Width		0 - 255	31	
551	RGB Video (1080P - 30)				
0	Total Dots		0 - 4095	2200	
1	Disp Dots		0 - 4095	1874	
2	H Back Porch		0 - 4095	250	
3	V Back Porch		0 - 4095	55	
4	Disp Line		0 - 4095	1051	
5	Clamp		0 - 255	80	
6	Clamp Width		0 - 255	31	
552	RGB Video (1080P - 25)				
0	Total Dots		0 - 4095	2640	
1	Disp Dots		0 - 4095	1874	
2	H Back Porch		0 - 4095	250	
3	V Back Porch		0 - 4095	56	
4	Disp Line		0 - 4095	1051	
5	Clamp		0 - 255	80	
6	Clamp Width		0 - 255	31	
553	RGB Video (1080P - 24)				
0	Total Dots	(Read only)	0 - 4095	2750	
1	Disp Dots		0 - 4095	1874	
2	H Back Porch		0 - 4095	250	
3	V Back Porch		0 - 4095	56	
4	Disp Line		0 - 4095	1051	

## Electrical Adjustment

Grp / No.	Item	Function	Range	Initial	Note
5	Clamp		0 - 255	80	
6	Clamp Width		0 - 255	31	
555 RGB Video (1080PSF - 30)					
0	Total Dots	(Read only)	0 - 4095	2200	
1	Disp Dots		0 - 4095	1882	
2	H Back Porch		0 - 4095	228	
3	V Back Porch		0 - 4095	56	
4	Disp Line		0 - 4095	1048	
5	Clamp		0 - 255	80	
6	Clamp Width		0 - 255	31	
556 RGB Video (1080PSF - 25)					
0	Total Dots	(Read only)	0 - 4095	2640	
1	Disp Dots		0 - 4095	1874	
2	H Back Porch		0 - 4095	248	
3	V Back Porch		0 - 4095	54	
4	Disp Line		0 - 4095	1052	
5	Clamp		0 - 255	80	
6	Clamp Width		0 - 255	31	
557 RGB Video (1080PSF - 24)					
0	Total Dots	(Read only)	0 - 4095	2750	
1	Disp Dots		0 - 4095	1890	
2	H Back Porch		0 - 4095	242	
3	V Back Porch		0 - 4095	54	
4	Disp Line		0 - 4095	1048	
5	Clamp		0 - 255	64	
6	Clamp Width		0 - 255	31	

# Troubleshooting

## Chassis over view





## No Power

### The POWER and LAMP indicators do not light

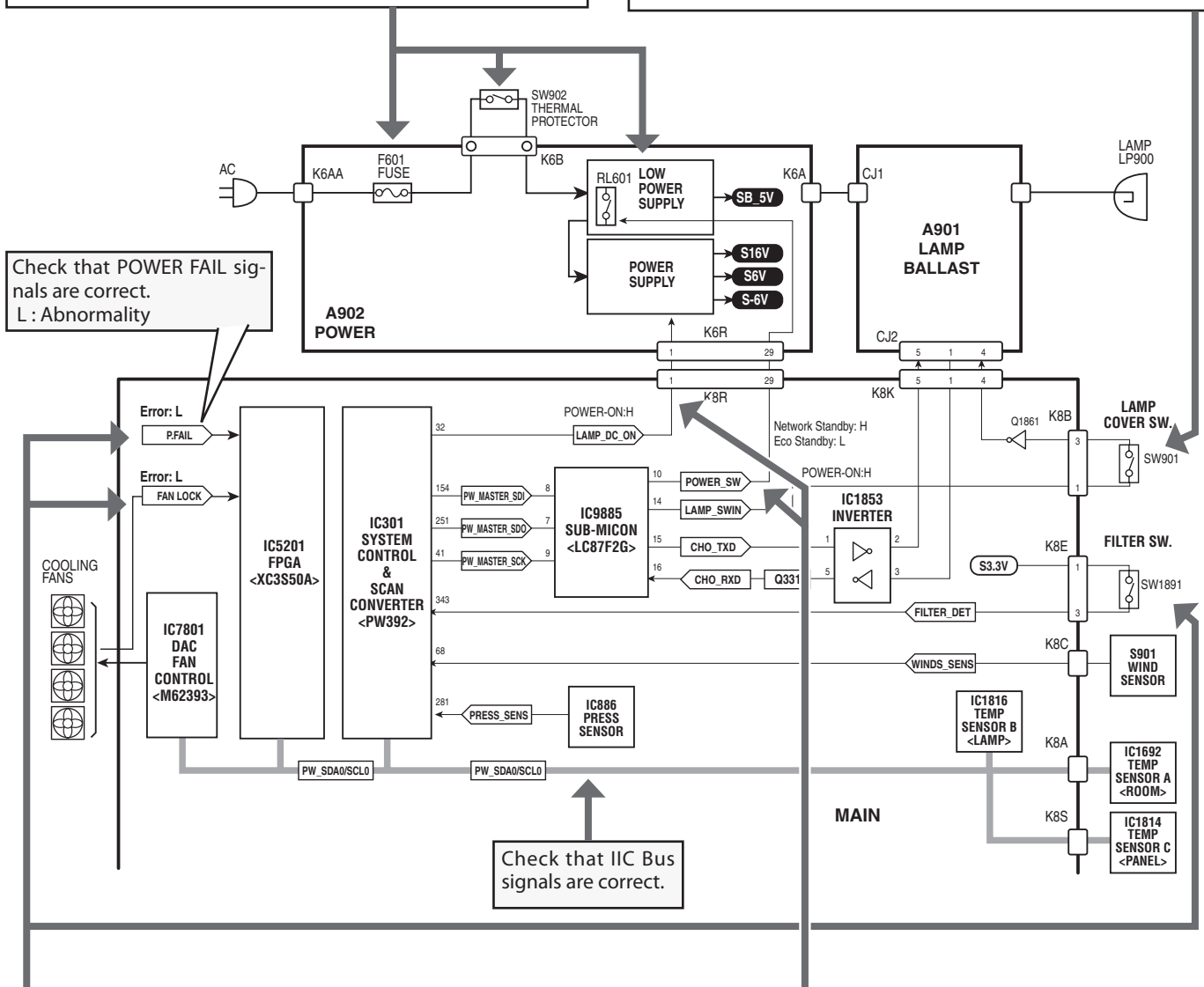
If the POWER and LAMP indicators are not lighting, check the Fuse (F601) and Thermal switch (SW902) in the primary circuit and SB\_5V of standby power supply circuit.

- Fuse opens when the primary circuit has an error.
- Thermal switch opens when surrounding temperature of lamp reaches around 115°C.

### The LAMP indicator lights and LAMP REPLACE indicator is flashing

If the LAMP\_SWIN signal is not supplied to the Lamp Ballast, the projector cannot be turned on. Check the follows;

- Check the lamp cover and the lamp cover switch (SW901).  
SW901—open: Abnormality
- Check the signals LAMP\_SWIN, CHO\_TXD, CHO\_RXD output from IC9885.



Check that POWER FAIL signals are correct.  
L : Abnormality

Check that IIC Bus signals are correct.

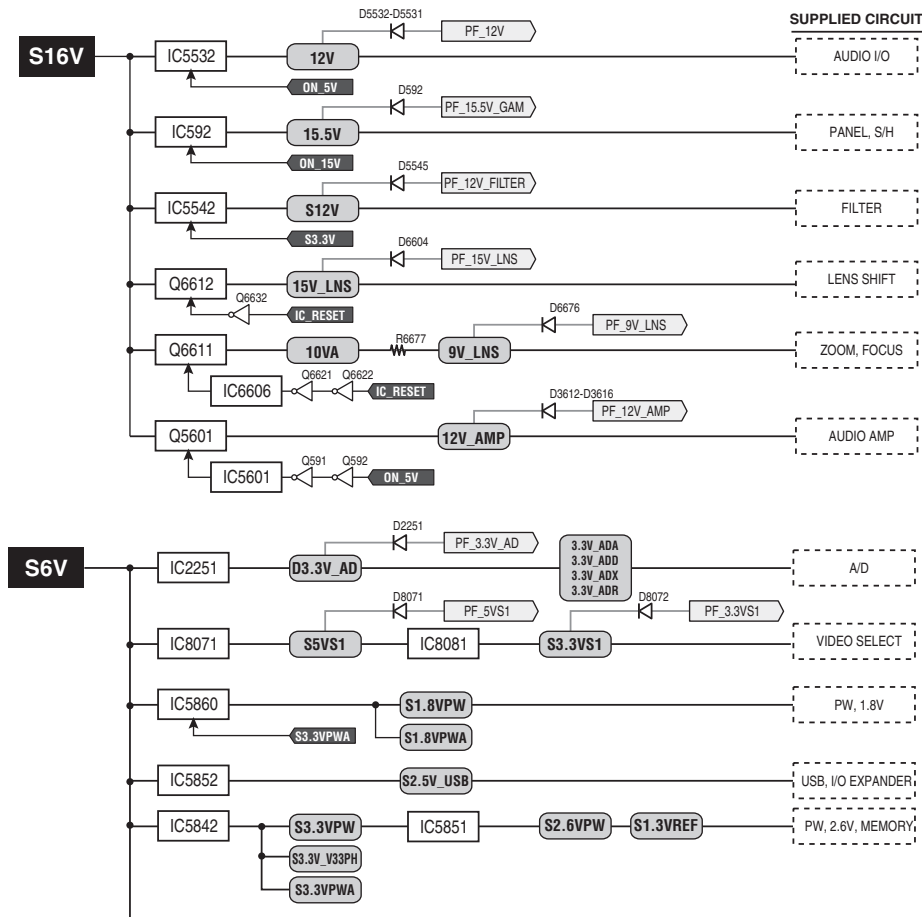
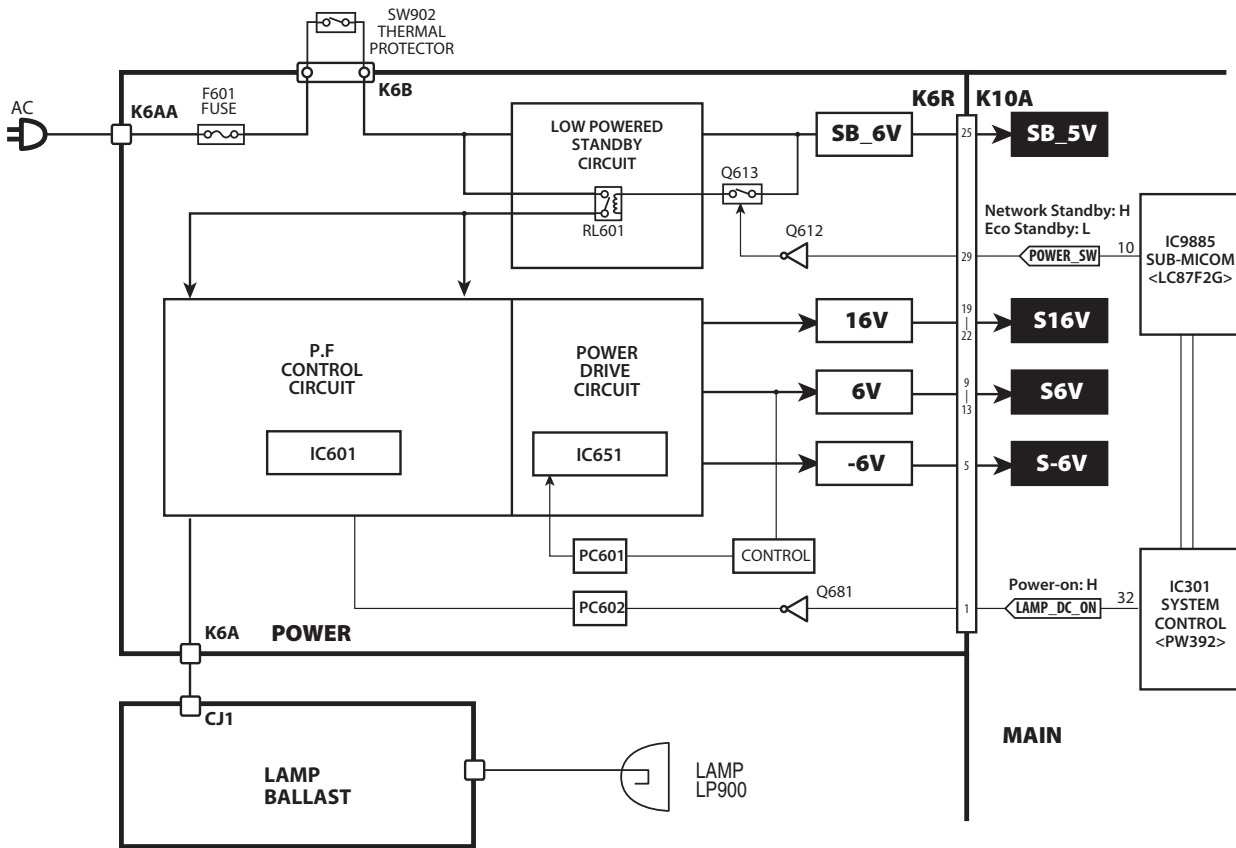
### LAMP indicator lights and other indicators blink

If the LAMP indicator is lighting and other indicators are blinking, the projector detects an abnormal inside the projector. Check following points;

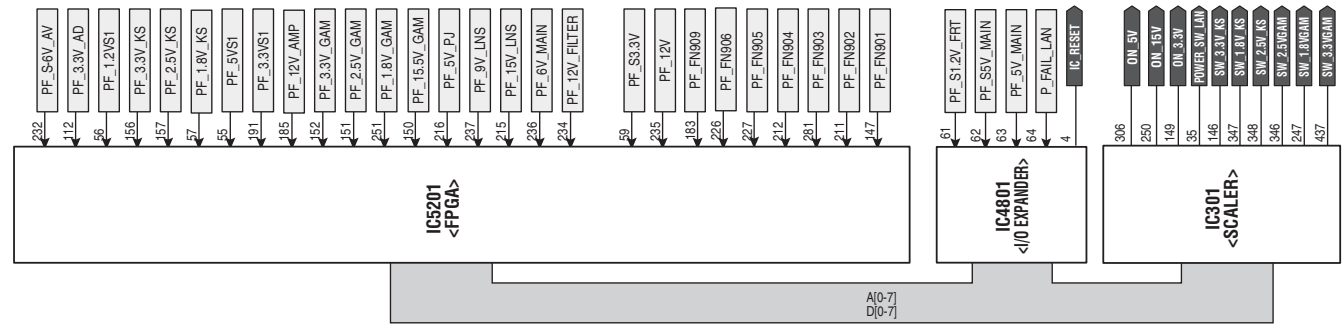
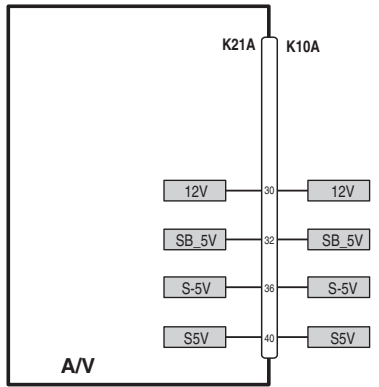
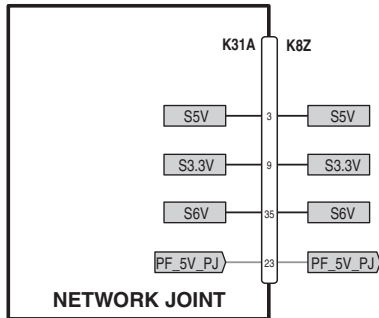
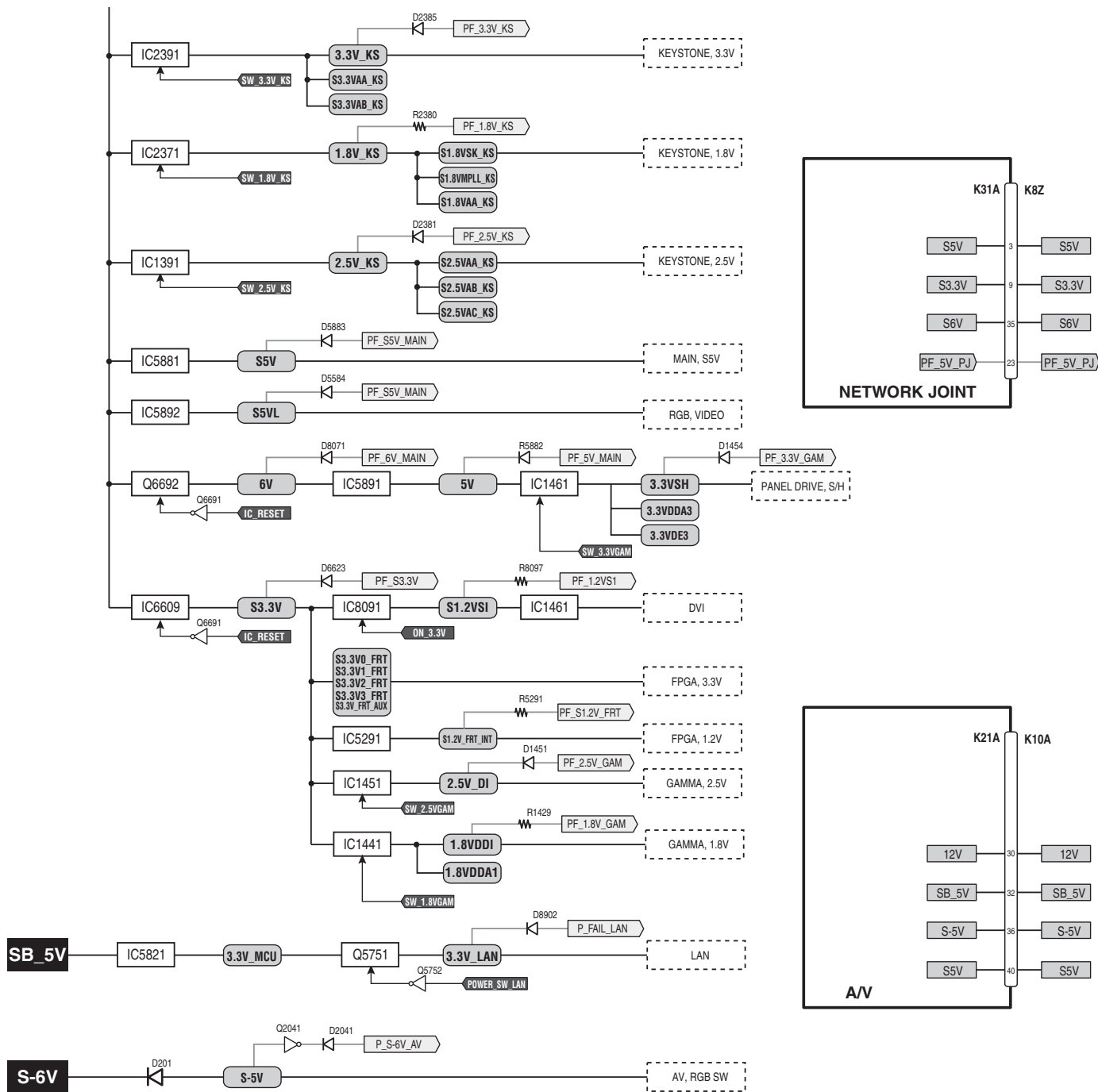
- Check the secondary power supply. Error on the low power voltage
- Check the fan operation. Error on the fan.
- Check the filter cartridge detecting switch (SW1891).  
SW1891 open: Error
- Check the signal FILTER\_DET supplied to IC301.  
FILTER\_DET Low: Error

Check that the Power on/off signals are correct.  
- POWER\_SW H: Network Standby / L: Eco Standby  
- LAMP\_DC\_ON H: Power-on

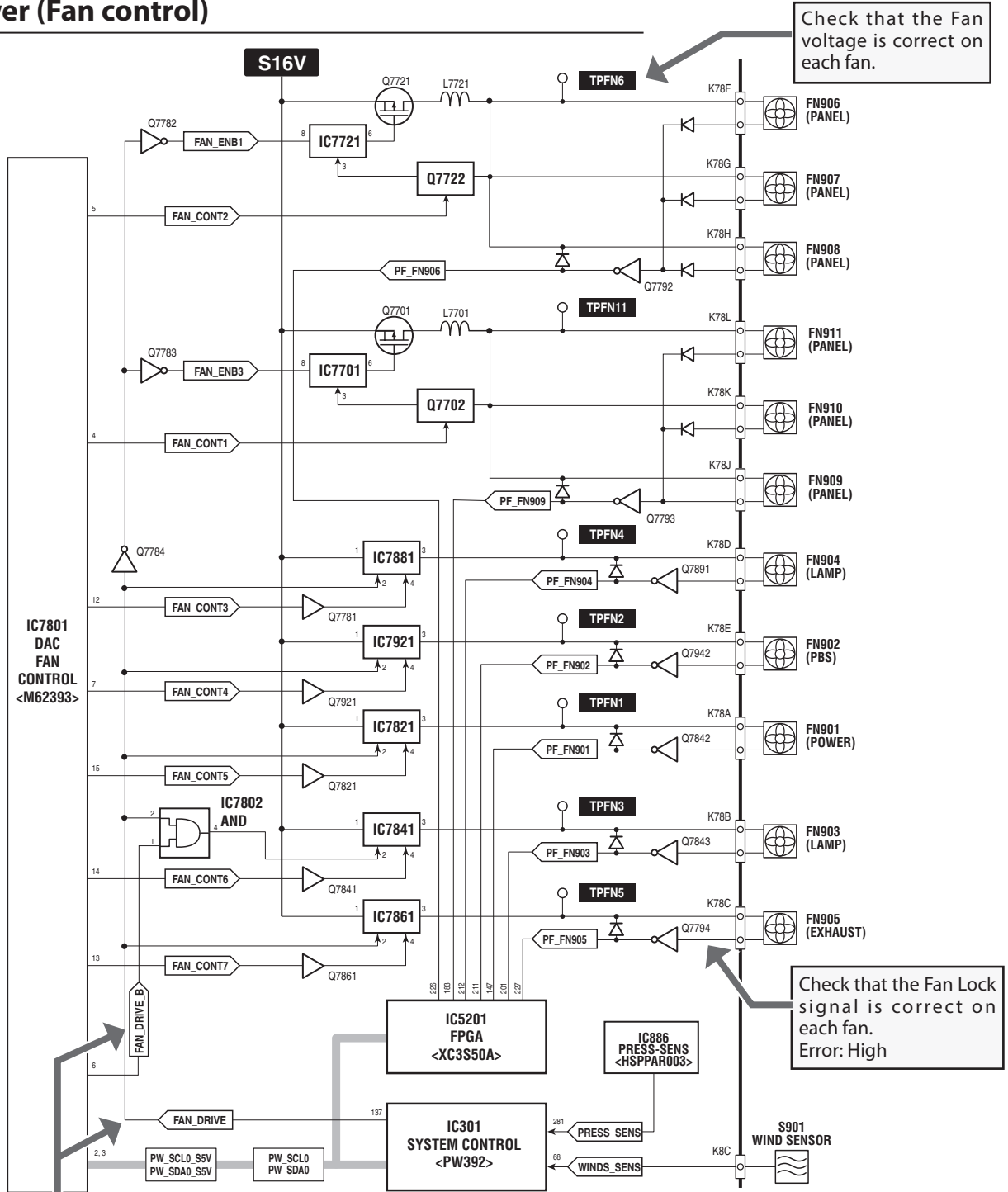
# No Power (Power supply)



# No Power (Power supply)



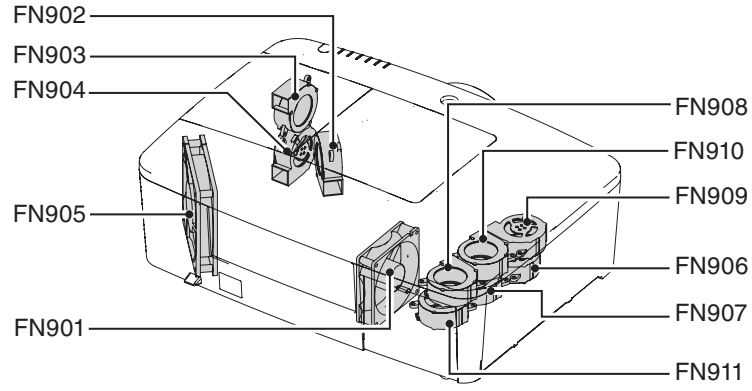
# No Power (Fan control)



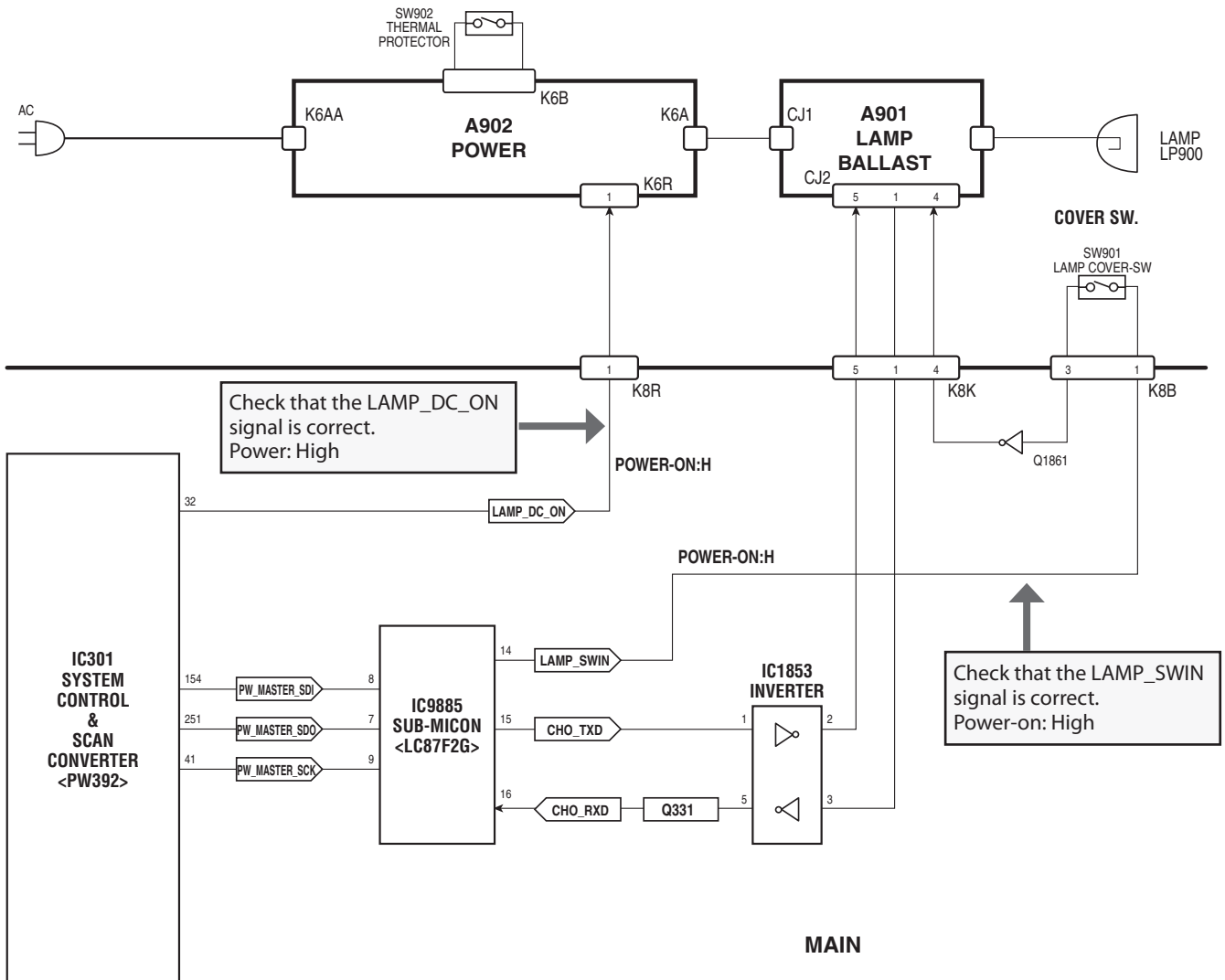
Check that the Fan voltage is correct on each fan.

Check that the Fan Lock signal is correct on each fan. Error: High

Check that the FAN\_DRIVE and FAN\_DRIVE\_B signals are correct. Power-on: High



## No Power (Lamp control)



## Temperature Abnormality

### Temperature monitor operation

The temperature monitor system is provided to prevent damage of optical components inside a projector from overheat. Two protection systems are provided. Each system operation as follows :

### The temperature monitor -1:

#### ● To control the air-flow of the cooling fans.

The CPU checks the temperature and atmospheric pressure inside a projector. It checks a temperature using temperature sensors IC1692, IC1814, IC1816 and it checks an atmospheric pressure using pressure sensor IC886. The CPU judges data from sensors and controls the air flow of the cooling fans so the temperature inside the projector is maintained to normal temperature.

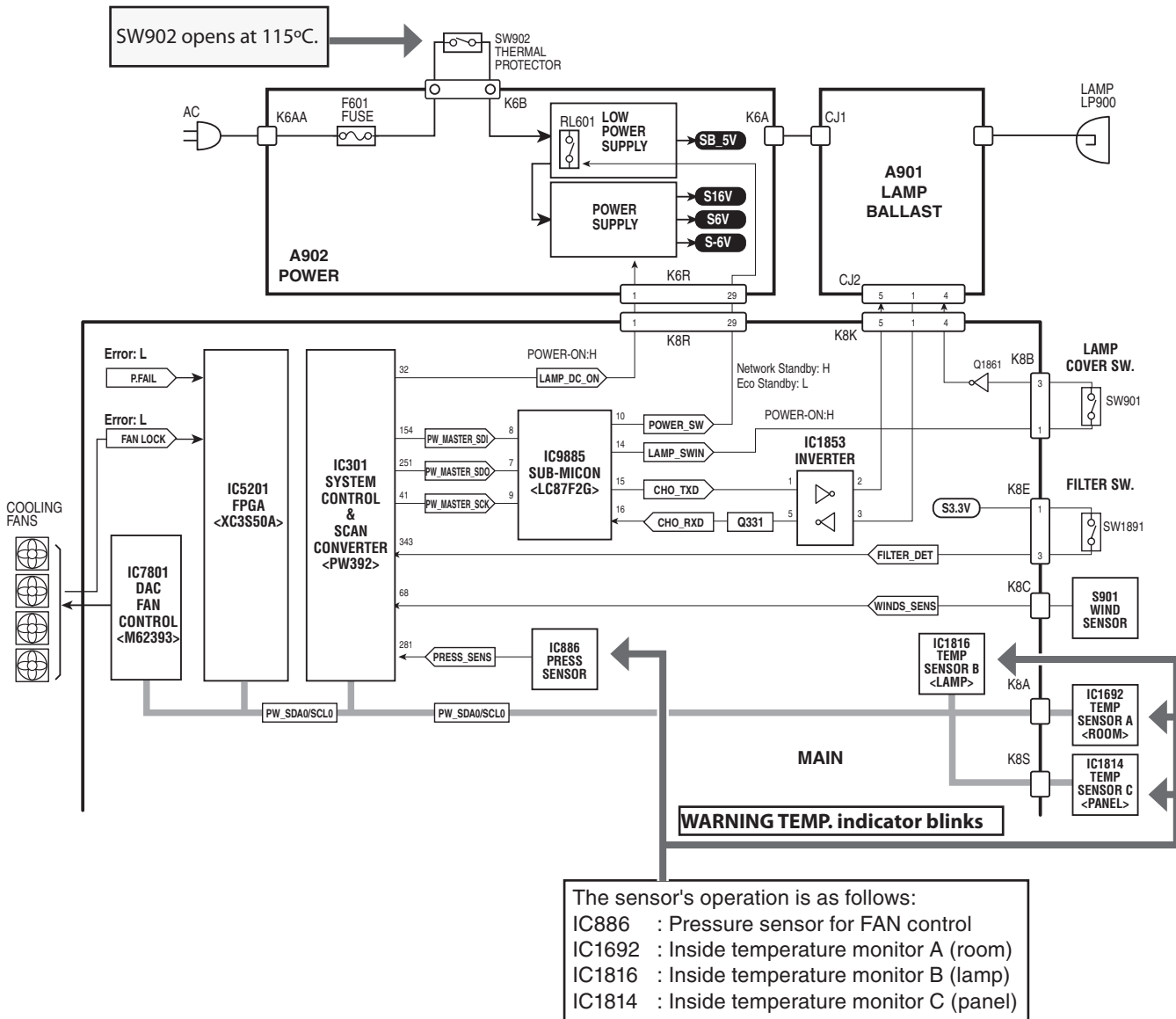
#### ● To shut down the projector urgently.

The CPU checks surrounding temperature of LCD panel (IC1814), Lamp (IC1816) and intake air (IC1692). If each part temperature reaches abnormal temperature, the CPU will turn off the projector, and will blink WARNING TEMP. indicator. Cooling fans operate until temperature returns to normal. Indicator will stop blink, if temperature returns to normal.

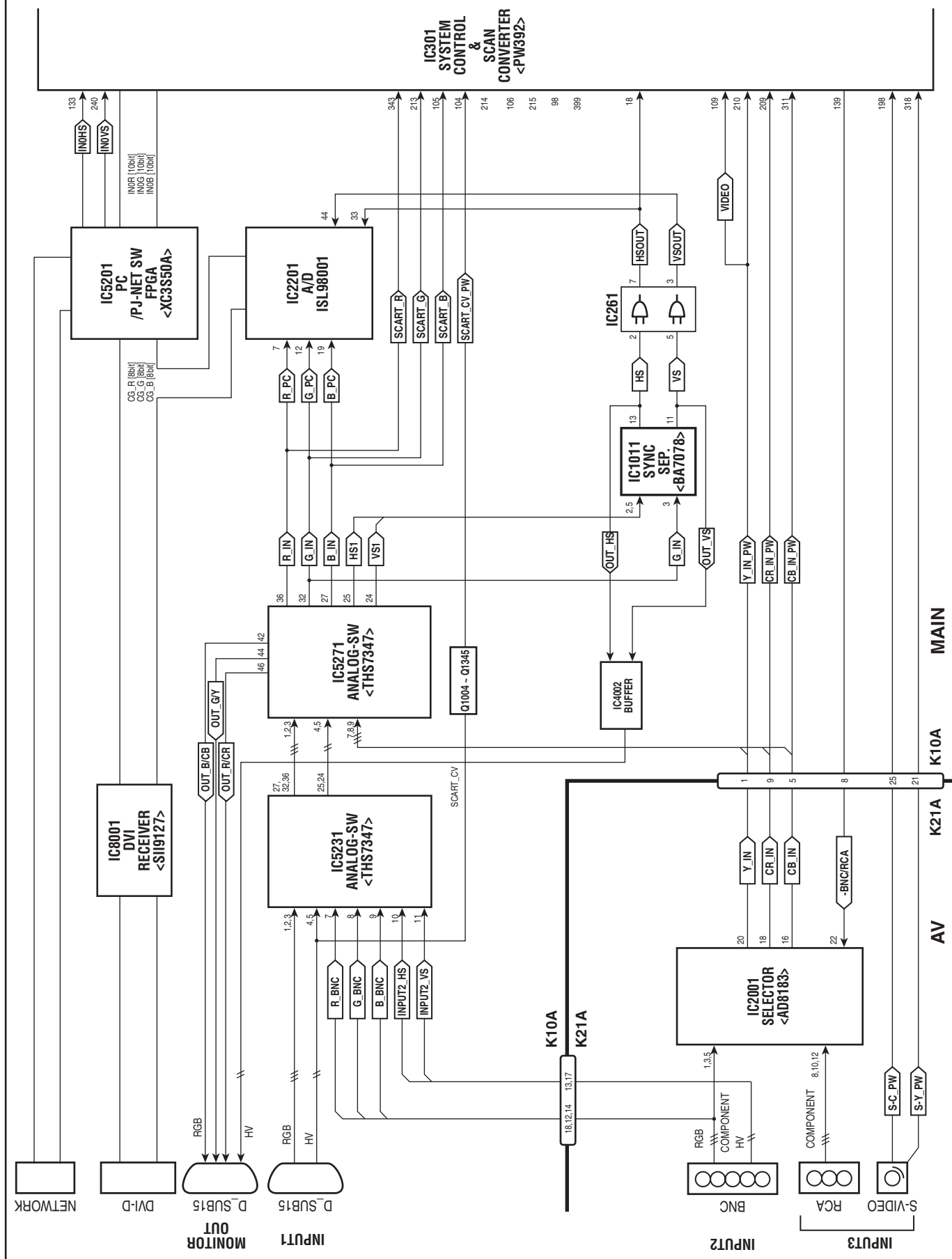
### The temperature monitor -2 :

#### ● Temperature check of lamp :

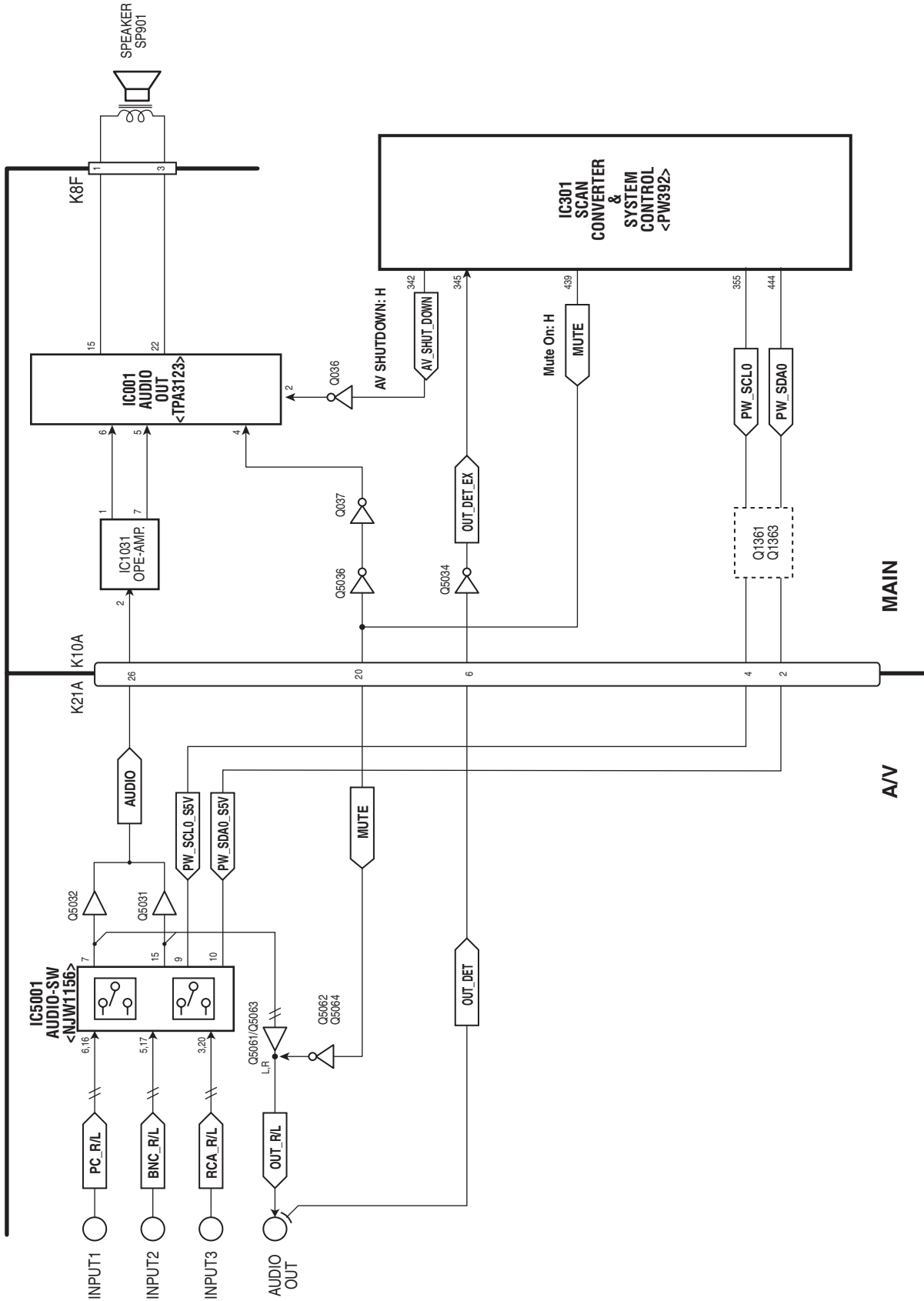
Thermal protector (SW902) is placed near the lamp. Thermal protector will operate, if the surrounding temperature reaches 115°C. When the thermal protector becomes open, it cuts off the AC line to shut down the projector immediately.



# No Picture

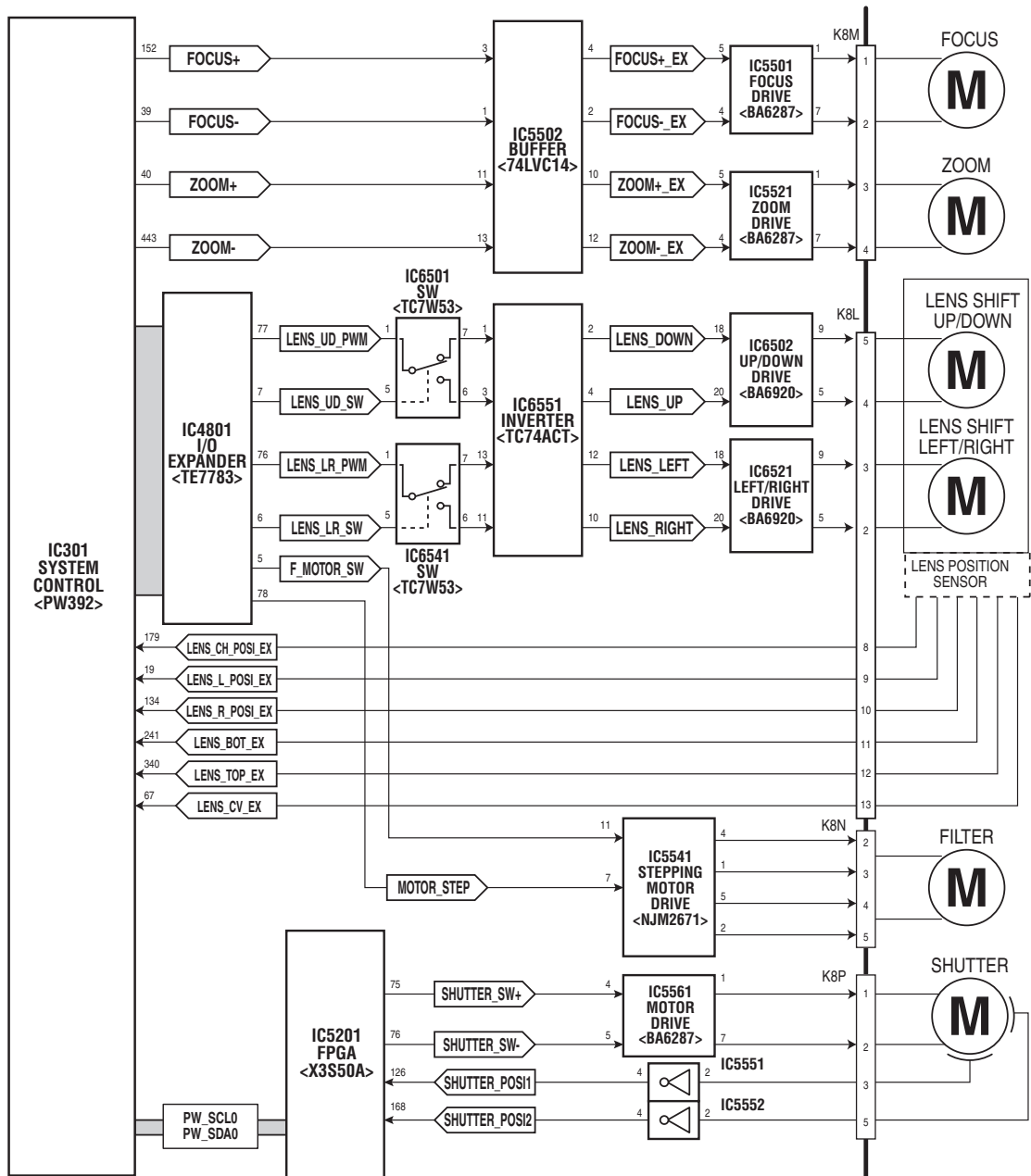


# No Sound





# Motor control problems



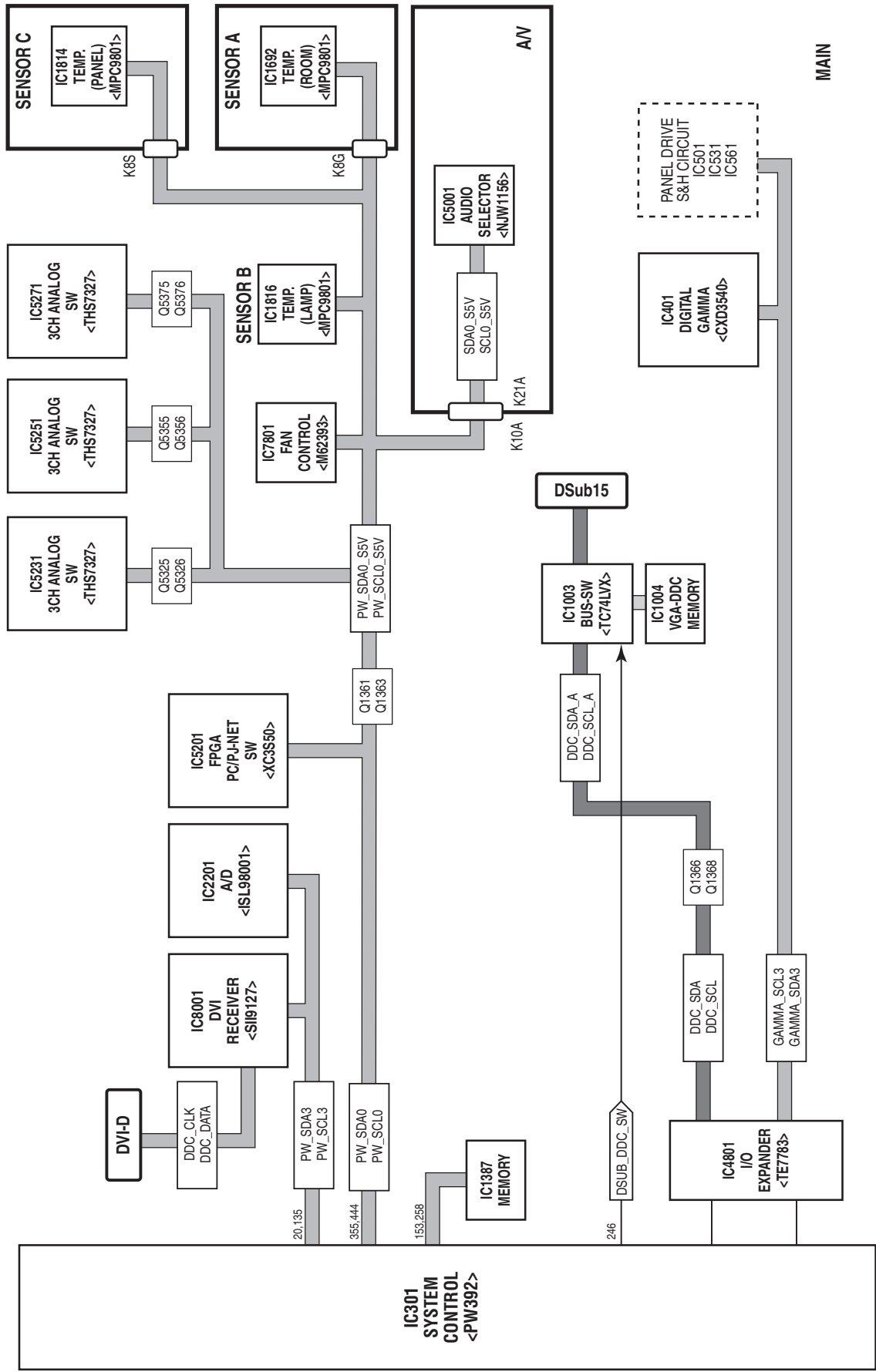
	STOP	UP	DOWN
LENS_UD_PWM	L	H	H
LENS_UD_SW	ANY	L	H

	STOP	+	-
FOCUS -	H	H	L
FOCUS +	H	L	H

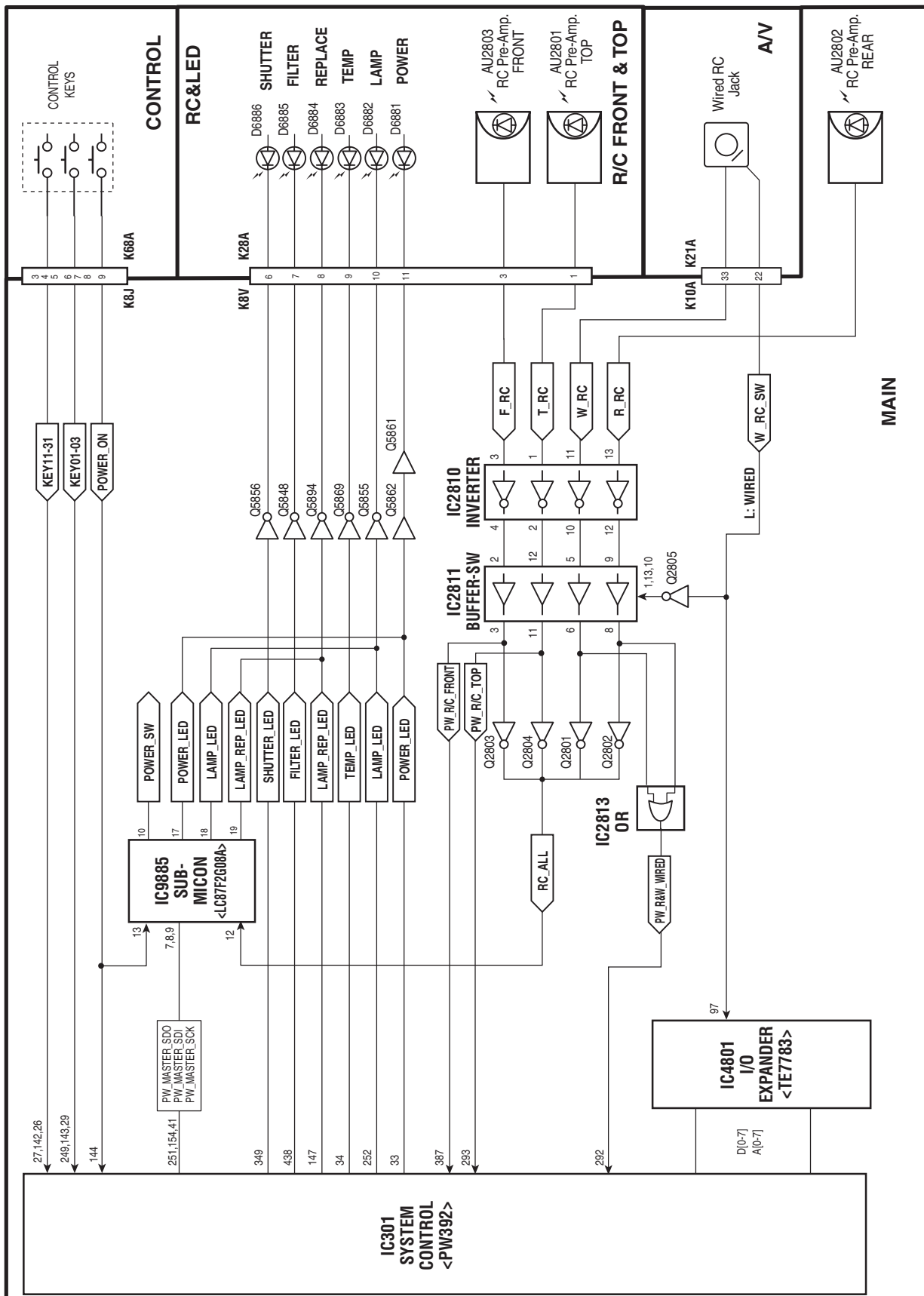
	STOP	RIGHT	LEFT
LENS_LR_PWM	L	H	H
LENS_LR_SW	ANY	L	H

	STOP	+	-
ZOOM -	H	H	L
ZOOM +	H	L	H

# Bus control



# LED drive & RC control



## Indicators and Projector Condition

Check the indicators for the projector condition.

### The projector is operating normally.

Indicators						Projector Condition
POWER green	LAMP red	WARNING TEMP. red	WARNING FILTER orange	SHUTTER blue	LAMP REPLACE orange	
●	●	●	●	●	●	The projector is off. (The AC power cord is unplugged.)
○	⊕	●	*	*	*	The projector is in stand-by mode. Press the ON/STAND-BY button to turn on the projector.
○	⊕	●	*	●	*	The projector is operating normally. (The shutter is open)
○	⊕	●	*	⊗	*	The projector is operating normally. (The shutter is closed)
●	⊕	●	*	*	*	The projector is preparing for stand-by or the projection lamp is being cooled down. The projector cannot be turned on until cooling is completed and the POWER indicator lights green.
●	⊕	●	*	*	*	The projection lamp is being cooled down in the Power management mode.
⊗	⊕	●	*	*	*	The projector is in the Power management mode.
●	⊕	●	*	⊗	*	The projection lamp is being cooled down in the Shutter management mode.
○	⊕	●	*	⊗	*	The projector is in the Shutter management mode. Press the ON/STAND-BY button to turn on the projector.
○	*	●	⊗	*	*	The filter is scrolled using the FILTER button on the remote control or the Filter control function in the setting menu. When the filter is being scrolled, the Filter replacement icon and <b>Please wait...</b> message (Fig. 1) appear on the screen for about 30 seconds.



Fig.1 Filter replacement icon and **Please wait...**

- ●●● on
- ⊕ ●●● on (red)
- ⊗ ●●● on (blue)
- ●●● dim
- ⊕ ●●● dim (red)
- ⊗ ●●● blinking at the normal rate (approx. 1 second ON, 1 second OFF)
- ⊗ ●●● blinking at the normal rate (blue and dim red) (approx. 1 second ON, 1 second OFF)
- ●●● off
- \* ●●● Differ according to conditions.
- ⊗ ●●● blinking fast (approx. 0.5 seconds ON, 0.5 seconds OFF)
- ⊗ ●●● blinking fast (blue and dim red) (approx. 0.5 seconds ON, 0.5 seconds OFF)
- ⊗ ●●● blinking slow (approx. 2 seconds ON, 2 seconds OFF)

**The projector is detecting abnormal condition.**

Indicators						Projector Condition
POWER green	LAMP red	WARNING TEMP. red	WARNING FILTER orange	SHUTTER blue	LAMP REPLACE orange	
			*	*	*	The temperature inside the projector is elevated close to the abnormally high level.
			*	*	*	The temperature inside the projector is abnormally high. The projector cannot be turned on. When the projector is cooled down enough and the temperature returns to normal, the POWER indicator lights green and the projector can be turned on. (The WARNING TEMP. indicator keeps blinking.) Check and replace the filter.
			*	*	*	The projector has been cooled down enough and the temperature returns to normal. When turning on the projector, the WARNING TEMP. indicator stops blinking. Check and replace the filter.
			*	*		The lamp cannot light up. (The projector is preparing for stand-by or the projection lamp is being cooled down. The projector cannot be turned on until cooling is completed.)
			*	*		The lamp cannot light up. (The lamp has been cooled down enough and the projector is in stand-by mode and ready to be turned on with the ON/STAND-BY button.)
*	*	*	*	*		The lamp has been used overtime. Replace the lamp immediately.














**WARNING FILTER**

When the filter detects clogging, reaches a time set in the timer setting or runs out of the filter scroll, the WARNING FILTER indicator lights orange. When this indicator lights orange, replace the filter or the filter cartridge with a new one promptly. Reset the Filter counter and Scroll counter after replacing the filter cartridge.

**LAMP REPLACE**

When the projection lamp reaches its end of life, the LAMP REPLACE indicator lights orange. When this indicator lights orange, replace the projection lamp with a new one promptly.

The projector is detecting abnormal condition.

Indicators						Projector Condition
POWER green	LAMP red	WARNING TEMP. red	WARNING FILTER orange	SHUTTER blue	LAMP REPLACE orange	
○	*	●	○	*	*	<p>If the Filter counter reached a time set in the timer setting, a Filter replacement icon (Fig.2) appears on the screen and the WARNING FILTER indicator on the top panel lights up. Replace the filter as soon as possible. If the filter is out of scroll and the projector reaches a time set in the timer setting, Fig. 3 appears on the screen and the WARNING FILTER indicator lights up. Replace the filter cartridge as soon as possible.</p> <p>If the filter is clogged and no scroll is left in the filter cartridge, a Filter cartridge replacement icon (Fig.4) appears on the screen and the WARNING FILTER indicator lights up. Replace the filter cartridge as soon as possible.</p> <p><b>✓Note:</b> Fig.2, Fig.3 and Fig.4 icon will not appear when the Display function is set to <b>Off</b> or during "Freeze".</p>
 <p><b>Fig.2</b> Filter replacement icon</p>						
 <p><b>Fig.3</b></p>						
 <p><b>Fig.4</b> Filter cartridge replacement icon</p>						
				*		<p>The filter cartridge is not installed in the projector. Check the filter compartment to see if the filter cartridge is installed in the projector. When the filter cartridge is installed and the indicators continue to light and blink, read the column below.</p> <p>The projector detects an abnormal condition and cannot be turned on. Unplug the AC power cord and plug it again to turn on the projector. If the projector is turned off again, unplug the AC power cord. Do not leave the projector on. It may cause an electric shock or a fire hazard.</p>
*	*	*	*		*	The shutter is out of control.
●		●	*		*	The shutter is out of control. (The projector is in the cooling mode.)
○		●	*		*	The shutter is out of control. (The projector is in the stand-by mode.) In that case, contact the service station immediately.

## Power failure detection system

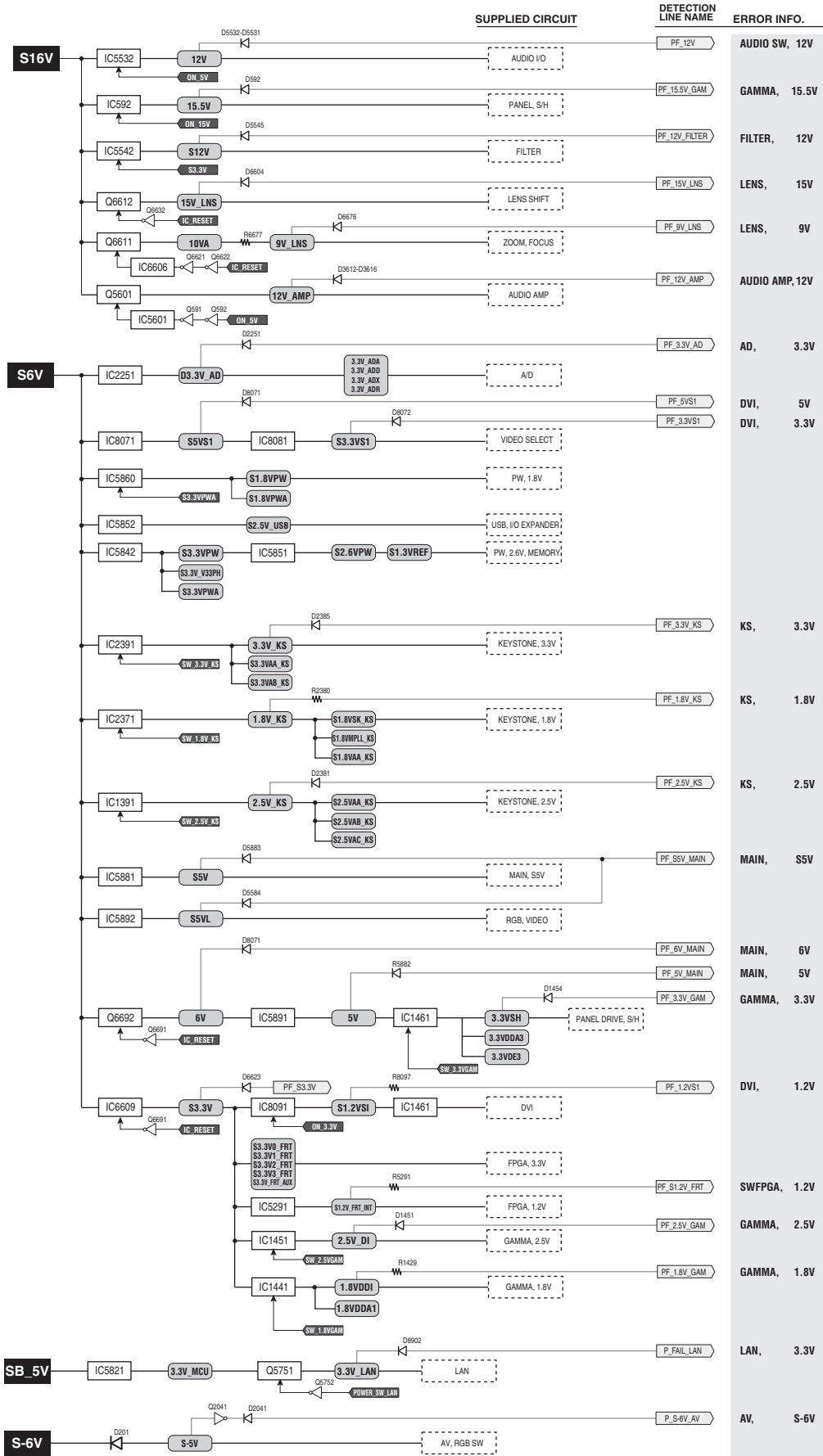
### Detection of Power failure

Projector provides a protection circuit to prevent the secondary failure when the power failure, fans failure or temperature failure occurs on the projector. The power failure detection lines "PF\_3.3V\_AD", "PF\_3.3V\_KS", etc. are connected to the main power supplies. When the failure occurs, IC301<SYSTEM CONTROL> receives an error information through IC5201<FPGA>, IC4801 <I/O Expander> and then outputs the signal "LAMP\_DC\_ON" from pin 32. The signal "LAMP\_DC\_ON" is supplied to power supply circuit to control the power supply operation.

### Error information table

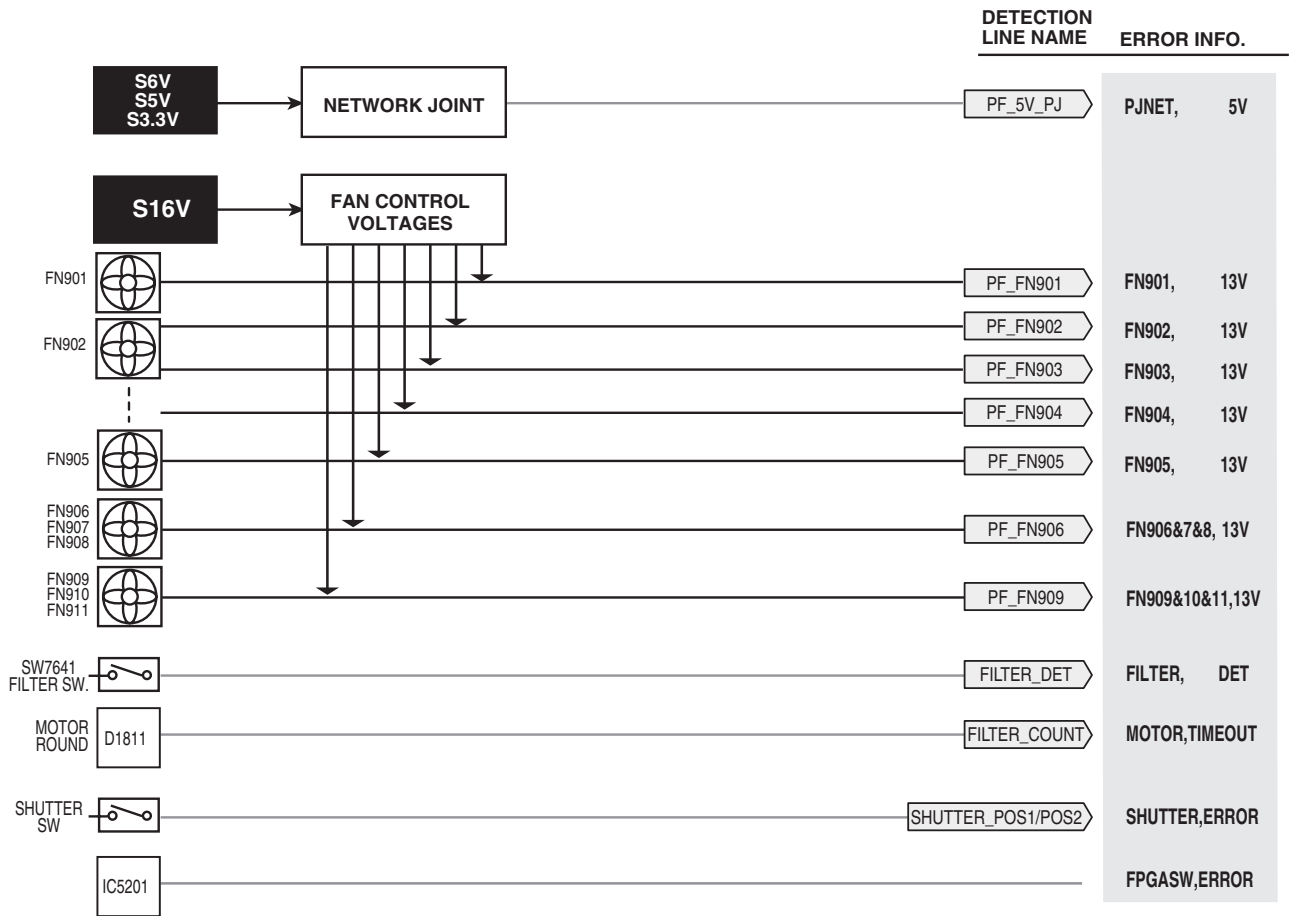
IC	Pin	Signal Name	Connection Lines	Error Information	Failure Area
IC5201 XC3S50A	112	PF_3.3V_AD	D3.3V_AD	AD, 3.3V	3.3V AD on Main
	156	PF_3.3V_KS	3.3V_KS	KS, 3.3V	3.3V Keystone on Main
	157	PF_2.5V_KS	2.5V_KS	KS, 2.5V	2.5V Keystone on Main
	57	PF_1.8V_KS	1.8V_KS	KS< 1.8V	1.8V Keystone on Main
	152	PF_3.3V_GAM	3.3V_GAM	GAMMA, 3.3V	3.3V Gamma on Main
	151	PF_2.5V_GAM	2.5V_GAM	GAMMA, 2.5V	2.5V Gamma on Main
	251	PF_1.8V_GAM	1.8V_GAM	GAMMA, 1.8V	1.8V Gamma on Main
	55	PF_5VSI	S5VI	DVI, 5V	5V DVI on Main
	191	PF_3.3VSI	S3.3VSI	DVI, 3.3V	3.3V DVI on Main
	56	PF_1.2VSI	S1.2VSI	DVI, 1.2V	1.2V DVI on Main
	59	PF_S3.3V	S3.3V	MAIN, S3.3V	S3.3V on Main
	150	PF_15.5V_GAM	15.5V_GAM	GAMMA, 15.5V	15.5V Gamma on Main
	216	PF_5V_PJ	PJNET&3.3V	PJNET, 5V	5V Network Box
	237	PF_9V_LNS	9V_LNS	LENS, 9V	9V Lens Drive
	215	PF_15V_LNS	15V_LNS	LENS, 15V	15V Lens Drive
	236	PF_6V_MAIN	6V	MAIN, 6V	6V on Main
	235	PF_12V	12V	AUSIO SW, 12V	12V Audio SW
	234	PF_12V_FILTER	12V_FILTER	FILTER, 12V	12V Filter Motor Drive
	232	PF_S-6V_AV	S-6V	AV, S-6V	S-6V on Main/AV
	212	PF_FN904	FN904 Power & Fan Lock	FN904 13V	FN904 Power & Fan Lock
	211	PF_FN902	FN902 Power & Fan Lock	FN902 13V	FN902 Power & Fan Lock
	147	PF_FN901	FN901 Power & Fan Lock	FN901 13V	FN901 Power & Fan Lock
	227	PF_FN905	FN905 Power & Fan Lock	FN905 13V	FN905 Power & Fan Lock
226	PF_FN906	FN906, FN907, FN908 Power & Fan Lock	FN906&7&8 13V	FN906, FN907, FN908 Power & Fan Lock	
281	PF_FN903	FN903 Power & Fan Lock	FN903 13V	FN903 Power & Fan Lock	
183	PF_FN909	FN909, FN910, FN911 Power & Fan Lock	FN909&10&11 13V	FN909, FN910, FN911 Power & Fan Lock	
185	PF_12V_AMP	12V_AMP	ADUIO AMP, 12V	12V Audio Amp.	
IC4801 TE7783	61	PF_S1.2V_FRT	FPGA 1.2V	SWFPGA, 1.2V	1.2V SW FPGA
	62	PF_S5V_MAIN	S5V	MAIN, S5V	S5V on Main
	63	PF_5V_MAIN	5V	MAIN, 5V	5V Main
	64	P_FAIL_LAN	3.3V LAN	LAN, 3.3V	3.3V LAN
IC301 PW392	343	FILTER_DET	Filter Cartridge Detection	FILTER, DET	Filter Cartridge Detection
	388	FILTER_COUNT	Filter Motor	MOTOR, TIMEOUT	Filter Motor
IC5201	--	FPGASW CONGIG	FPGA Config	FPGASW, ERROR	SWFPGA Config Error
	126, 168	SHUTTER_POSI1 SHUTTER_POSI2	Shutter Operation	SHUTTER, ERROR	Shutter Operation Error

# Power failure detection tree





## Sensor & detection switches



## Error Log

This projector provides the error history log function. To check the logs, you need to enter the service mode and select Group No. "220" and Item No. "0" to "49". The error code is displayed on the Data column. The description of the error code is listed on the table below.

\* How to enter the service mode and select the group, item and data value, see "Service Adjustment Menu Operation".

Group No.	Item No.	Data (Error Code)
220	0	* <- Latest Error
	1	*
	2	*
	3	*
	:	:
	:	:
	49	*

Error	Error Code	Error Information (See Power Failure Detection System)	Error Code	Error Information (See Power Failure Detection System)
Normal	0	-		
Power Failure	1000	AD, 3.3V	1017	FILTER, 12V
	1001	KS, 3.3V	1018	AV, S-6V
	1002	KS, 2.5V	1019	FN904, 13V
	1003	KS, 1.8V	1020	FN902, 13V
	1004	GAMMA, 3.3V	1021	FN901, 13V
	1005	GAMMA, 2.5V	1022	FN905, 13V
	1006	GAMMA, 1.8V	1023	FN906&7&8, 13V
	1007	DVI, 5V	1024	FN903, 13V
	1008	DVI, 3.3V	1025	FN909&10&11, 13V
	1009	DVI, 1.2V	1026	AUDIO AMP, 12V
	1010	MAIN, S3.3V	1027	SWFPGA, 1.2V
	1011	GAMMA, 15.5V	1028	MAIN, S5V
	1012	PJNET, 5V	1029	MAIN, 5V
	1013	LENS, 9V	1030	LAN, 3.3V
	1014	LENS, 15V	1031	FILTER, DET
	1015	MAIN, 6V	1032	MOTOR, TIMEOUT
1016	AUDIO SW, 12V			
Temperature Error	2000	Sensor A detects abnormal temperature. (IC1692-ROOM)		
	2001	Sensor A fails measurement. (IC1692)		
	2100	Sensor B detects abnormal temperature. (IC1816-LAMP)		
	2101	Sensor B fails measurement. (IC1816)		
	2102	Sensors B-A temperature error.		
	2200	Sensor C detects abnormal temperature. (IC1814-PANEL)		
	2201	Sensor C fails measurement. (IC1814)		
	2202	Sensors C-A temperature error.		
Lamp Error	3000	Lamp1 fails on		
	3001	Lamp1 goes out		
	3002	Communication Error on Lamp1		
System Error	4000	FPGASW, CONFIG		
Shutter Error	5000	SHUTTER, ERROR		
Filter Error	6000	Filter clogged		

### How to reset the Error Log

1. Enter the Service Mode, and select Group No. "220" and Item No. "50".
2. The history log will be reset when the Data Value is set to "10". The value automatically returns to "0".

\* How to enter the service mode and select the group, item and data value, see "Service Adjustment Menu Operation".

## Diagnosis of Power Failure with RS-232C port

This projector provides a function to get the error information of the projector by using the RS-232C serial port for the power failure diagnosis.

The further error information of the power failure and fan failure can be found out by using this function.

### Diagnosis procedure

- 1 Connect a RS-232C serial cross cable to CONTROL PORT on the projector and serial port on the PC.
- 2 Launch a communication software "Hyper terminal" provided with PC and setup the communication condition as follows;

Baud rate	: 9600 / 19200 bps
Parity check	: none
Stop bit	: 1
Flow control	: none
Data bit	: 8

- 3 Turn on the projector. Check that the LED shows a power failure. (All the LEDs except LAMP LED are blinking)
- 4 Type a diagnosis command of the power failure "CR ALLPFAIL" and press a "ENTER" key within 1 second on the command window of the software.

The error information will be listed on the window as the right.

Check the status column. If "NG" is listed, the power failure occurs on its signal line (Power Line Name). In case of the right table, this error information means that the power failure occurs on the 3.3V power supply on the GAMMA (Digital Gamma) circuit on the main board (GAMMA, 3.3V). Check if the parts connected to 3.3V power supply line on the Gamma circuit are defective.

Error Information (Signal Name)

CR ALLPFAIL			
000 AD,	3.3V	OK	← Status
000 KS,	3.3V	OK	
000 KS,	2.5V	OK	
000 KS,	1.8V	OK	
000 GAMMA,	3.3V	NG	← Error
000 GAMMA,	2.5V	OK	
000 GAMMA,	1.8V	OK	
.....	.....	.....	

Also the error information may be listed multiple as the below;

In the above case, 2 kinds of causes are considered. One is the power failure occurs on the multiple places at the same time, other is a power failure affects multiple power supply lines even if the failure occurs on the single place.

In the first case, Check if the parts connected to the multiple power supply lines are defective. In the later case, determine a failure point referring to the power supply flow chart on previous page. Basically, if the power failure occurs on the upper side of power supply, the power failure is also detected on lower side of power supply frequently. If the failure occurs on the lower side of power supply, it is lightly affected to the upper side of the power supply. In the above case, because the failure occurs on the 6V power supply on the main board (MAIN, 6V), the failure is also detected on the 5V power supply on the main board (MAIN, 5V).

CR ALLPFAIL			
000 AD,	3.3V	OK	
000 KS,	3.3V	OK	
.....	.....	.....	
000 MAIN,	6V	NG	← Error
000 GAMMA,	15.5V	OK	
.....	.....	.....	
000 MAIN,	5V	NG	← Error

\* See "Power Failure Detection System" for further description of the Error Information.

## Serial Control Interface

This projector provides a function to control and monitor the projector's operations by using the RS-232C serial port.

### Operation

- 1 Connect a RS-232C serial cross cable to CONTROL PORT on the projector and serial port on the PC.
- 2 Launch a communication software "Hyper terminal" provided with PC and setup the communication condition as follows;

Note: The default of the baud rate is set to 19200 bps. If an error occurs in the communication, change the serial port and the communication speed (baud rate).

- 3 Type the command for controlling the projector and then enter the "Enter" key within 1 second.

Example

When you want to change the input to INPUT 2, Type 'C' '0' '6' 'Enter'.

Note: Enter with ASCII 64-byte capital characters and one-byte characters.

Baud rate	: 9600 / 19200 bps
Parity check	: none
Stop bit	: 1
Flow control	: none
Data bit	: 8

### Functional Execution Command

#### Format

The command is sent from PC to the projector with the format below;

'C' [Command] 'CR'

Command: two characters (refer to the command table below).

-The projector decodes the command and returns the 'ACK' with the format below;

'ACK' 'CR'

-When the projector can not decode the command, it returns with format below.

'?' 'CR'

Command	Function	Command	Function
C00	Turn the projector ON	C29	ON Start OFF
C01	Turn the projector OFF (immediately OFF)	C33	Select Input 3 Video
C02	Turn the projector OFF	C34	Select Input 3 S-video
C05	Select Input 1	C3A	Pointer RIGHT
C06	Select Input 2	C3B	Pointer LEFT
C07	Select Input 3	C3C	Pointer UP
C08	Select Network	C3D	Pointer DOWN
C09	Volume +	C3F	Enter
C0A	Volume -	C46	Zoom DOWN
C0B	Sound mute ON	C47	Zoom UP
C0C	Sound mute OFF	C4A	Focus DOWN
C0D	Video mute ON	C4B	Focus UP
C0E	Video mute OFF	C50	Select Input 1 Analog RGB
C0F	Aspect 4:3	C51	Select Input 1 SCART
C10	Aspect 16:9	C52	Select Input 1 DVI (PC Digital)
C1C	Menu ON	C53	Select Input 1 DVI (AV HDCP)
C1D	Menu OFF	C5D	Lens shift UP
C20	Brightness UP	C5E	Lens shift DOWN
C21	Brightness DOWN	C5F	Lens shift LEFT
C23	Select Input 2 Video	C60	Lens shift RIGHT
C24	Select Input 2 Y, Pb/Cb,Pr/Cr	C89	Auto PC Adj.
C25	Select Input 2 RGB	C8E	Keystone UP
C27	Image	C8F	Keystone DOWN
C28	ON Start ON	C90	Keystone RIGHT
		C91	Keystone LEFT

## Status Read Command

### Format

The command is sent from PC to the projector with the format below;

'CR' [Command] 'CR'

Command: one character (refer to the command table below.

The projector decodes the command and returns the 'Character string' with the format below;

Command	Function	Projector Return	Projector status
CR0	Status Read	00	Power On
		80	Stand-by mode
		40	Countdown
		20	Cooling down
		10	Power Malfunction
		28	Cooling down at the temperature anomaly
		24	Cooling down at Power Management mode
		04	Power Management mode after Cooling down
		21	Cooling down after the projector is turned off when the lamps are out.
		81	Stand-by mode after Cooling down when the lamps are out.
		88	Stand-by mode after Cooling down at the temperature anomaly.
		2C	Cooling down when the projector is turned off by the shutter management function.
8C	Stand-by mode after cooling down by the shutter management function.		
CR6	Temperature Read	S1 S2 S3	S1 = Temperature at Sensor 1 (Temp A) (°C) S2 = Temperature at Sensor 2 (Temp B) (°C) S3 = Temperature at Sensor 3 (Temp C) (°C) (ex.) S1 = 12.3°C, S2 = 23.4°C, S3 = 34.5°C --> The projector displays "12.3 23.4 34.5" (For each sensor, two digit and the tenth place numbers are displayed with a space between each temperature.)
		?	Communication failure

The tables show the typical command lists for controlling the projector. Please consult your local dealer for further information of other commands.

This Serial port is not available in the Eco standby mode. To use this function in the standby mode, the Network standby mode should be selected.

# Control Port Functions

## System Control I/O Port Functions (PW392, IC301)

PIN	PORT	SIGNAL	FUNCTION	I/O	NOTE
A18		HSOUT	Horiz. Sync Signal Input	I	
A19		LENS_L_POSI_EX	Lens Shift Position L Detection Input	I	
A20		PW_SDA3	IIC Bus SDA3	I/O	
A27		KEY11	Key Control Input 11	I	
A28		KEY31	Key Control Input 31	I	
A29		KEY03	Key Control Input 03	I	
B18		INOHS	Horiz. Sync Signal Input	I	
B19		LENS_R_POSI_EX	Lens Shift Position R Detection Input	I	
B20		PW_SCL3	IIC Bus SCL3	I/O	
B22		FAN_DRIVE	Fan Drive Signal Output	O	H: On
B23		TRM2	Terminal Switch 2 Output	O	H: On
B24		-BNC/RCA	Input Switch Output -BNC/RCA	O	H: RCA, L: BNC
B25		KS_CRSTN	PW610 Reset Signal Output	O	H: Reset
B27		KEY21	Key Control Input 21	I	
B28		KEY02	Key Control Input 02	I	
B29		POWER_ON	Key Control Input Power On	I	L: Power On
C18		INOVS	Vert. Sync Signal Input	I	
C19		LENS_BOT_EX	Lens Shift Position Input Bottom	I	
C23		TRM1	Terminal Switch 1 Output	O	H: On
C24		DSUB_DDC_SW	DDC Switch Control (DSUB)	O	H: Normal
C25		SW_1.8VGAM	SW_1.8VGAM Switch Output	O	H: On
C26		RST_S&H_SH	S/H Reset Output	O	H: On
C27		KEY01	Key Control Input 01	I	
C28		ON_15V	ON_15V Drive Signal	O	H: On
C30		LAMP_DC_ON	LAMP_DC_ON Drive Output	O	H: On
D19		LENS_TOP_EX	Lens Shift Position Input Top	I	
D21		AV_SHUT_DOWN	Sound Mute Output	O	H: Mute
D22		FILTER_DET	Filter Detect Input	I	L: Detected
D24		OUT_DET_EXT	Audio Output Jack Detection	I	
D25		SW_2.5VGAM	SW_2.5VGAM Drive Signal Output	O	H: On
D26		SW_1.8V_KS	SW_1.8V Drive Signal Output(KS)	O	H: On
D27		SW_2.5V_KS	SW_2.5V Drive Signal Output(KS)	O	H: On
D28					
D29		SW_3.3V_KS	SW_3.3V Drive Signal Output(KS)	O	H: On
D30		POWER_LED	Power LED Drive Output	O	H: On
E25		SW_3.3VGAM	SW_3.3VGAM Drive Signal Output	O	H: On
E26		FILTER_LED	Filter LED Drive Output	O	H: On
E27		SHUTTER_LED	Shutter LED Drive Output	O	H: On
E28		LAMP_LED	LAMP LED Drive Output	O	H: On
E29		TEMP_LED	WARNING LED Drive Output	O	H: On
E30		LAMP_REP_LED	LAMP REPLACE LED Drive Output	O	H: On
F26		MUTE	Sound Mute Drive output	O	H: Mute-On
F27		XRST	Reset for TE7783	O	L: Reset
F28		XSTDBYEN	TE7783 Standby Mode Disable/Enable	O	H: Standby Disable
F30		POWER_SW_LAN	Power Switch for LAN	O	H: On
G26		KS_THRWEN	3 Wire Select KS	O	L: Enable
G27		PW_SDATA_OUT	3 Wire Data	O	
G28		RST_GAM_PW	Gamma IC Reset	O	H: Reset
H30		OUT_SW	Monitor Output Switch Drive	O	H: Out
J1		VIDEO	Video Signal Input	I	
K1		S-C_PW	S-C Signal Input	I	
K3		S-Y_PW	S-Y Signal Input	I	
K26		ZOOM-	Zoom- Drive Output	O	
K27		LAMP_PWM	Lamp Control Output	O	
K29		FOCUS+	Focus+ Drive Output	O	
K30		FOCUS-	Focus- Drive Output	O	
L26		PW_SDA0	IIC Bus SDA0	I/O	
L27		PW_SCL0	IIC Bus SCL0	I/O	
L28		PW_SDA	IIC Bus SDA	I/O	
L29		PW_SCL	IIC Bus SCL	I/O	
L30		ZOOM+	Zoom+ Drive Output	O	
M1		G_IN_PW	Green Signal Input	I	
M2		B_IN_PW	Blue Signal Input	I	
M26		RXD_MCI	RXD for Network	I	
M27		TXD_MCI	TXD for Network	O	
N1		SCART_B	Blue Signal Scart Input	I	
N2		R_IN_PW	Red Signal Input	I	
P1		SCART_CV_PW	Composite Video Input Scart	I	
P2		SCART_G	Green Signal Scart Input	I	
R3		SCART_R	Red Signal Scart Input	I	

## Control Port Functions

PIN	PORT	SIGNAL	FUNCTION	I/O	NOTE
T2		SCART_G	Green Signal Scart Input (Sync On G)	I	
U1		Y_IN_PW	Y Signal Input (Component)	I	
U2		Y_IN_PW	Y Signal Input (Component)	I	
U3		CB_IN_PW	CB Signal Input	I	
V2		CR_IN_PW	CR Signal Input	I	
Y1		HS2	Horiz. Sync Signal Output 2	O	
AB3		ON_5V	ON_5V Drive Signal Output	O	
AB4		VS2	Vert. Sync Signal Output 2	O	
AG10		FILTER_COUNT	Filter Scroll Count Input	I	
AG11		PW_R/C_FRONT	RC Input Front	I	
AG12		EX_PW_UART	UART RXD	I	
AG18		PW_DHS	Horiz. Sync Signal Output	O	
AH10		PW_R_C_TOP	RC Input Top	I	
AH11		RC_R&W_WIRED	RC Input Rear and Wired	I	
AH12		PW_EX_UART	UART_TXD	O	
AH18		PW_DVS	Vert. Sync Signal Output	O	
AH21		OPTION2	Option Input	I	
AH22		PRESS_SENS	Pressure Sensor Input	I	
AJ20		OPTION3	Option Input	I	
AJ21		OPTION1	Option Input	I	
AJ22		LENS_CH_POSI_EX	Lens Shift H Center Position Detect	I	
AK21		WINDS_SENS	Wind Sensor Input	I	
AK22		LENS_CV_EX	Lens Shift V Center Position Detect	I	

## I/O Expander (TE7783, IC4801)

PIN	PORT	SIGNAL	FUNCTION	I/O	NOTE
3	P2	NET_SW_PW	PJNET Switch Output	O	
4	P3	IC_RESET	Low Power Switch	O	H: On
5	P4	F_MOTOR_SW	Filter Motor Drive	O	L: Output, H: Stop
6	P5	LENS_LR_SW	Lens Shift LR Switch	O	
7	P6	LENS_UD_SW	Lens Shift U/D Switch	O	L: Down
8	P7	PJ_UPDATE	PJNET Firmware update	O	H: Normal Mode
9	P8	NET_H/L	PJNET	O	Active L
49	P22	PROG_B_FRT	SW_FPGA Config	O	
50	P23	DDC_SCL	IIC Bus DDC	O	
51	P24	DDC_SDA	IIC Bus DDC	I/O	
52	P25	GAMMA_SCL	IIC Bus GAMMA	O	
53	P26	GAMMA_SDA	IIC Bus GAMMA	I/O	
54	P27	USBB_VBUS		IO	USB
55	P28	USBB_D+		IO	USB
61	AIN[1]	PF_S1.2V_FRT	Power Fail Input for S1.2V FRT	I	
62	AIN[2]	PF_S5V_MAIN	Power Fail Input for S5V MAIN	I	
63	AIN[3]	PF_5V_MAIN	Power Fail Input for 5V MAIN	I	
64	AIN[4]	P_FAIL_LAN	Power Fail Input for LAN	I	
65	AIN[5]	ACCELE_SENS1+	Acceleration Sensor Input 1+	I	
66	AIN[6]	ACCELE_SENS1-	Acceleration Sensor Input 1-	I	
67	AIN[7]	ACCELE_SENS2+	Acceleration Sensor Input 2+	I	
68	AIN[8]	ACCELE_SENS2-	Acceleration Sensor Input 2-	I	
72	P31	I/O_PJ_UART	UART for PJNET	IO	UART
73	P32	PJ_I/O_UART	UART for PJNET	IO	UART
74	P33	MOUSE_TXD	PJNET Mouse	IO	UART
76	P35	LENS_LR_PWM	Lens Shift L/R Control PWM	O	L: Operating, H: Stop
77	P36	LENS_UD_PWM	Lens Shift U/D Control PWM	O	L: Operating, H: Stop
78	P37	MOTOR_STEP	Filter Motor Drive	O	PWM
91	P11	SCLK_FRT	SW FPGA Config	O	3-Wire
92	P12	SDAT_FRT	SW FPGA Config	O	3-Wire
94	P14	BOX_SW	Network Box Switch	I	L: Detected
97	P15	RC_W_SW	Wired Remote Control Detect Input	I	L: Detected
99	P17	INT_FRT	SW FPGA Config	O	
100	P18	DONE_FRT	SW FPGA Config	O	

## Control Port Functions

### FPGA (XC3S50A, IC5201)

PIN	PORT	SIGNAL	FUNCTION	I/O	NOTE
A3		PW_SCL0	IIC Bus SCL0	I	
B3		PW_SDA0	IIC Bus SDA0	I/O	
B8		CG_HSYNC	Horiz. Sync Signal Input	I	
C1		PF_S3.3V	Power Failure Detection Input S3.3V	I	
C2		PF_3.3V_AD	Power Failure Detection Input 3.3V AD	I	
C4		SW_PF3.3V	PF_3.3V Switch	O	
C8		CG_VSYNC	Vert. Sync Signal Input	I	
C15		SHUTTER_SW+	Shutter Switch Drive +	O	
D3		PF_3.3V_KS	Power Failure Detection Input 3.3V KS	I	
D4		PF_2.5V_KS	Power Failure Detection Input 2.5V KS	I	
D14		HV_SW	Sync. Output Drive Switch	O	
D15		SHUTTER_SW-	Shutter Switch Drive -	O	
D16		VS	Vert. Sync Signal Input	I	
E1		PF_1.8V_KS	Power Failure Detection Input 1.8V KS	I	
E14		SHUTTER_POSI1	Shutter Position Detect	I	
F1		PF_1.2VS1	Power Failure Detection Input 1.2VS1	I	
F4		PF_3.3VS1	Power Failure Detection Input 3.3VS1	I	
F11		PF_FN906	Power Failure Detection and Fan Lock Input FN906	I	
F12		PF_FN903	Power Failure Detection and Fan Lock Input FN903	I	
F13		SHUTTER_POSI2	Shutter Position Detect	I	
G1		PF_5VS1	Power Failure Detection Input 5VS1	I	
G11		PF_FN905	Power Failure Detection and Fan Lock Input FN905	I	
H3		PF_3.3V_GAM	Power Failure Detection Input 3.3V GAM	I	
J3		PF_2.5V_GAM	Power Failure Detection Input 2.5V GAM	I	
J7		PF_1.8V_GAM	Power Failure Detection Input 1.8V GAM	I	
J12		IN0VS	Vert. Sync Signal Output	O	
J13		IN0HS	Horiz. Sync Signal Output	O	
K3		PF_15.5V_GAM	Power Failure Detection Input 15.5V GAM	I	
K5		PF_5V_PJ	Power Failure Detection Input 5V PJ	I	
K6		PF_9V_LNS	Power Failure Detection Input 9V LNS	I	
L5		PF_15V_LNS	Power Failure Detection Input 15V LNS	I	
L6		PF_6V_MAIN	Power Failure Detection Input 6V MAIN	I	
L7		PF_12V	Power Failure Detection Input 12V	I	
L8		PF_12V_FILTER	Power Failure Detection Input 12V FILTER	I	
L9		PF_S5V_AV	Power Failure Detection Input S5V AV	I	
L10		PF_S-6V_AV	Power Failure Detection Input S-6V AV	I	
M4		PF_12V_AMP	Power Failure Detection Input 12V AMP	I	
M7		PF_FN904	Power Failure Detection and Fan Lock Input FN904	I	
M8		PF_FN902	Power Failure Detection and Fan Lock Input FN902	I	
N3		PF_FN901	Power Failure Detection and Fan Lock Input FN901	I	
N5		PF_FN909	Power Failure Detection and Fan Lock Input FN909	I	

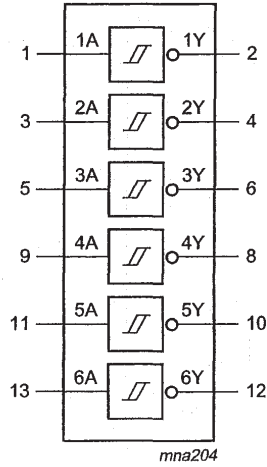
### IIC Bus D/A Converter (M62393FP Fan Control, IC7801)

Pin No.	Function Name	Function	Pol.	Action	
				Stand-by	Power On
1	Reset Input		I	→	
2	IIC BUS SCL		I	→	
3	IIC BUS SDA		I/O	→	
4	FAN_CONT1	FAN_FN909, FN910, FN911 Control Voltage (Panel Cooling)	AO	→	0:FAN Max ~ 255:FAN Min
5	FAN_CONT2	FAN_FN906, FN907, FN908 Control Voltage (Panel Cooling)	AO	→	0:FAN Max ~ 255:FAN Min
6	FAN_DRIVE_B	Fan Drive B	AO	→	H: On, L: Off
7	FAN_CONT4	FAN_FN902 Control Voltage (PBS Cooling)	AO	→	0:FAN Max ~ 255:FAN Min
8	GND		-	→	
9	DAC Upper Ref. Voltage(CH5-CH8)		-	→	
10	GND		-	→	
11	DAC Upper Ref. Voltage (CH1-CH4)		-	→	
12	FAN_CONT3	FAN_FN904 Control Voltage (Lamp Cooling)	AO	→	0:FAN Max ~ 255:FAN Min
13	FAN_CONT7	FAN_FN905 Control Voltage (Exhaust)	AO	→	0:FAN Max ~ 255:FAN Min
14	FAN_CONT6	FAN_FN903 Control Voltage (Lamp Cooling)	AO	→	0:FAN Max ~ 255:FAN Min
15	FAN_CONT5	FAN_FN901 Control Voltage (Power Cooling)	AO	→	0:FAN Max ~ 255:FAN Min
16	Power for Output Buffer (4.5V ~ 5.5V)		-	→	
17	Power Supply +5V±10%		-	→	
18	Slave Address Setting Pin2 (Vdd)		I	→	H
19	Slave Address Setting Pin1 (Vdd)		I	→	H
20	Slave Address Setting Pin0 (Vdd)		I	→	H

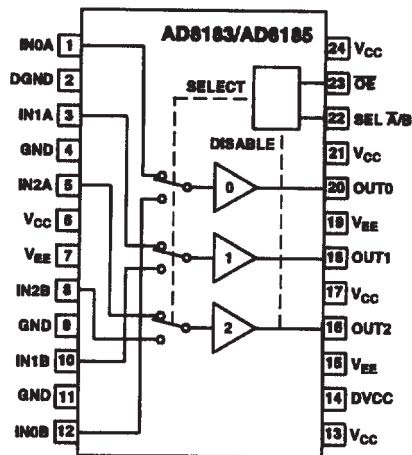


# IC Block Diagrams

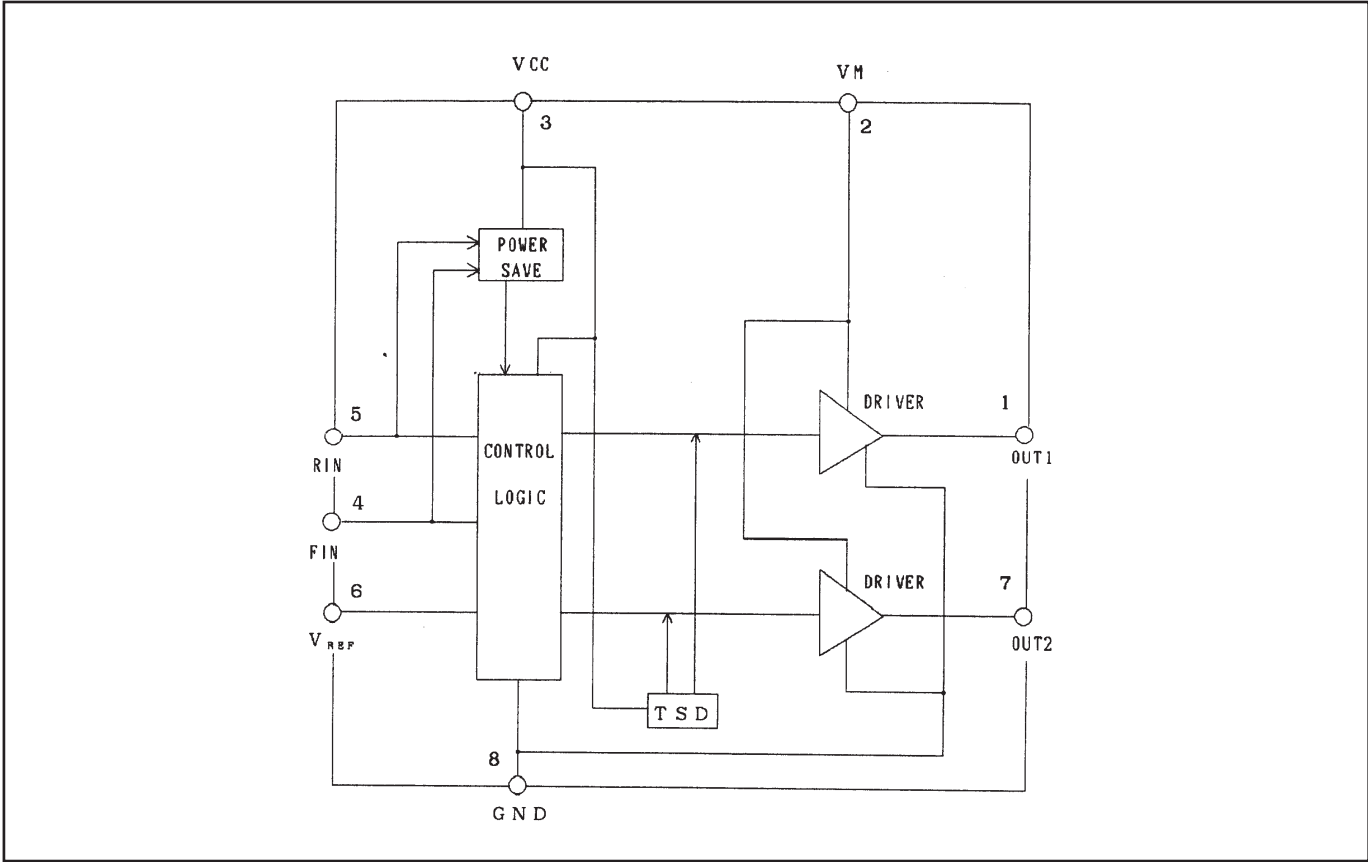
## ● 74LVC14 <Inverter, IC5502>



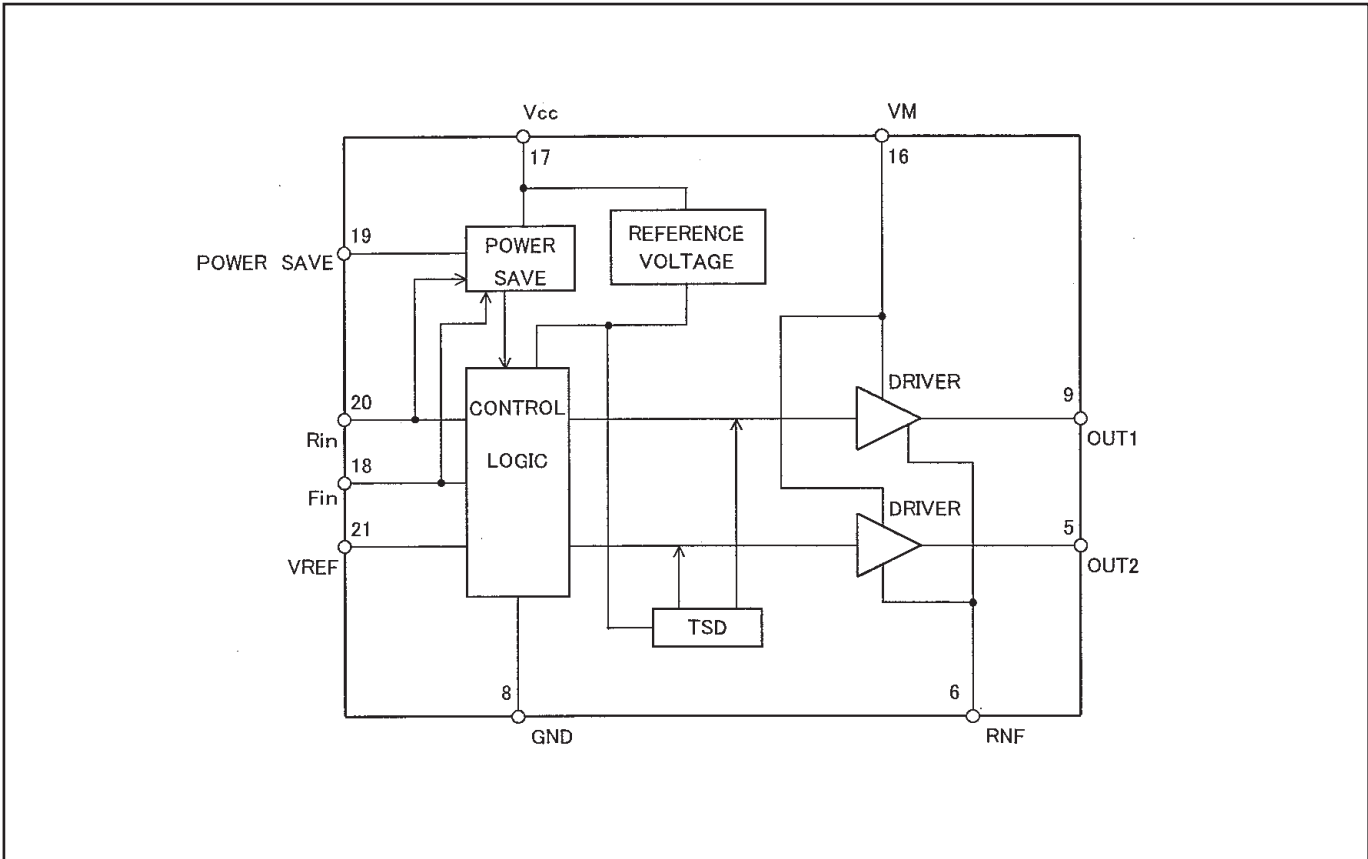
## ● AD8183 <Analog SW, IC2001>



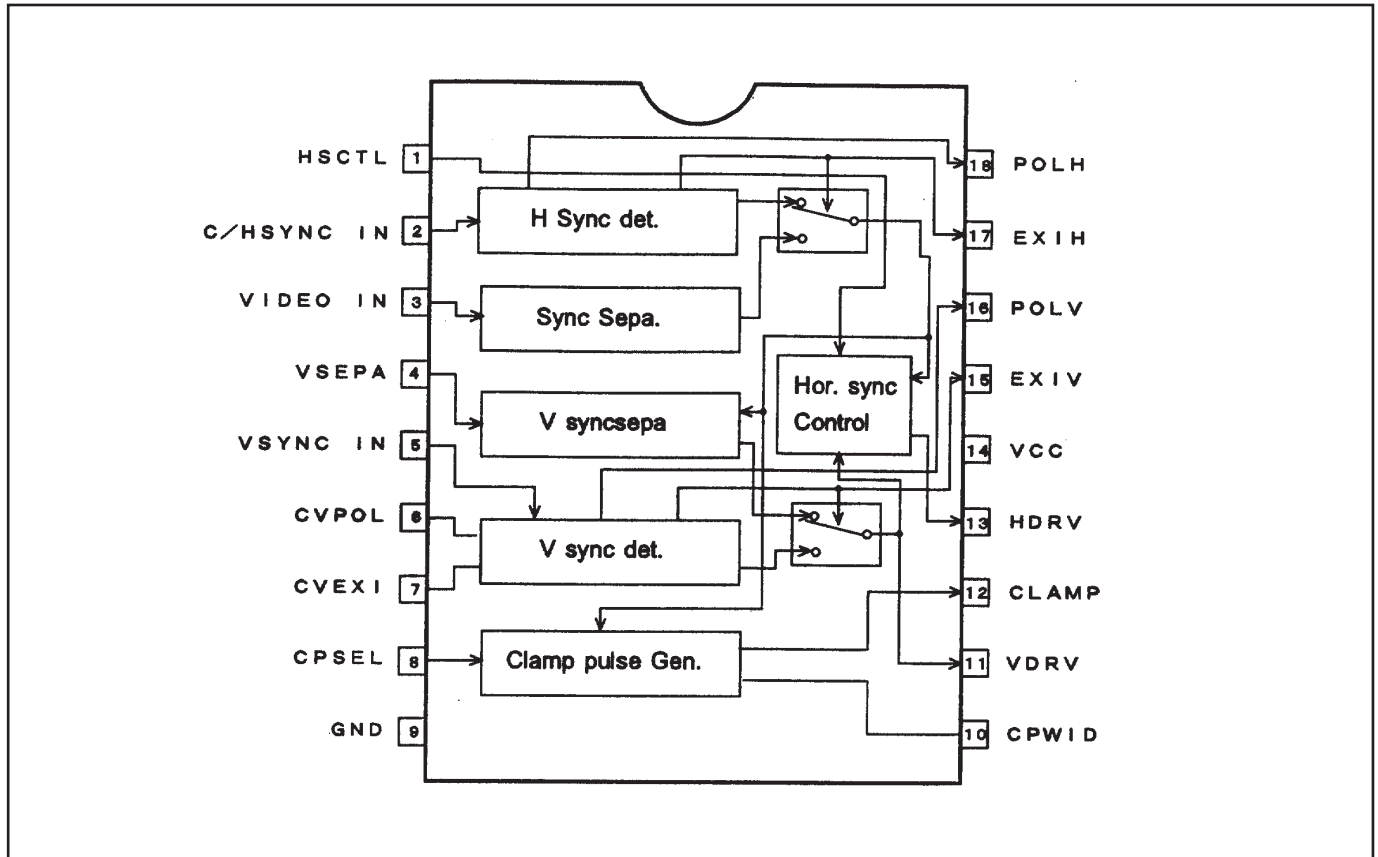
● BA6287 <Motor Drive Focus, Zoom, Shutter IC5501, IC5521>



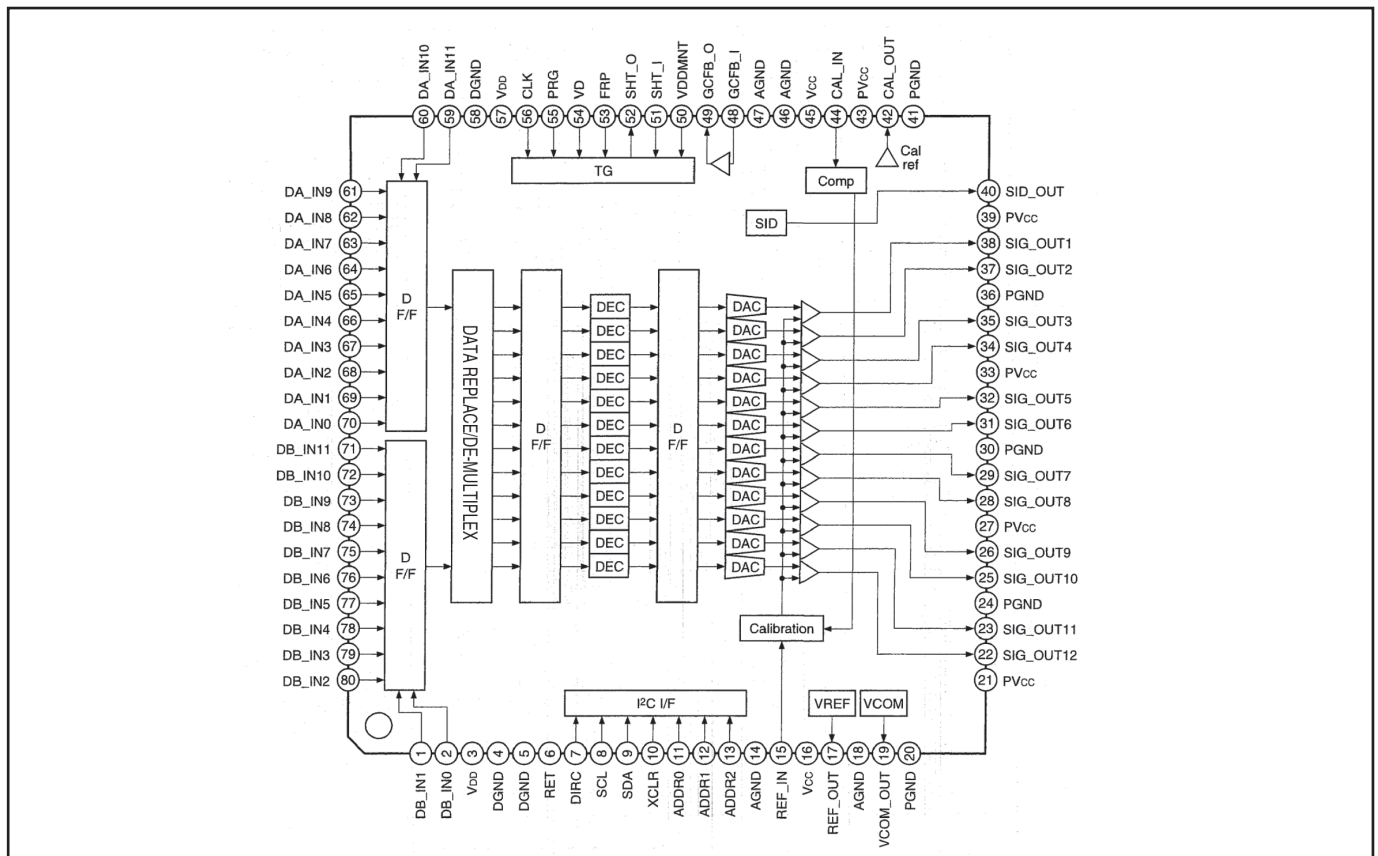
● BA6920 <Motor Drive Lens Shift Up/Down, Left/Right, IC6502, IC6521>



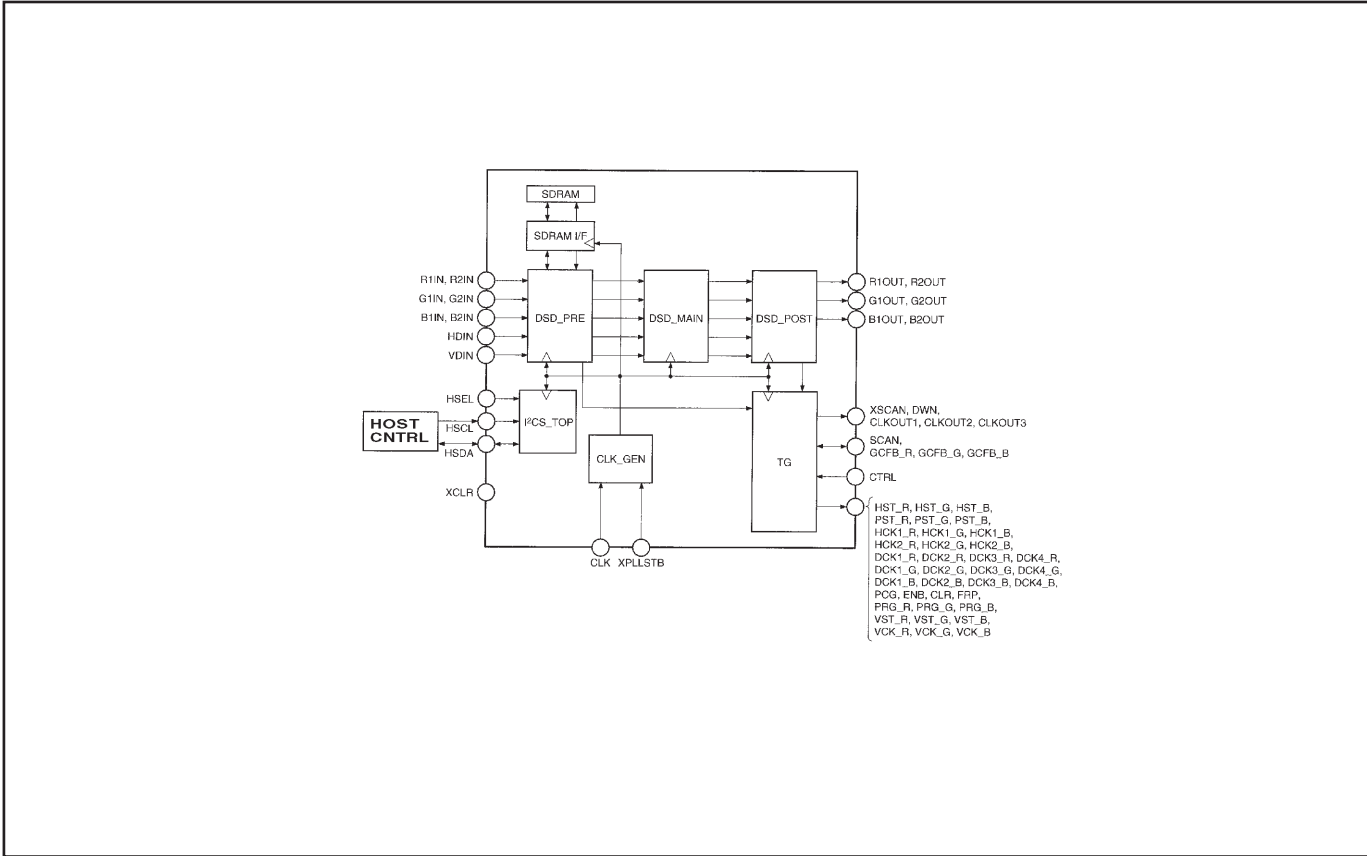
● BA7078 <Sync Separator, IC1011>



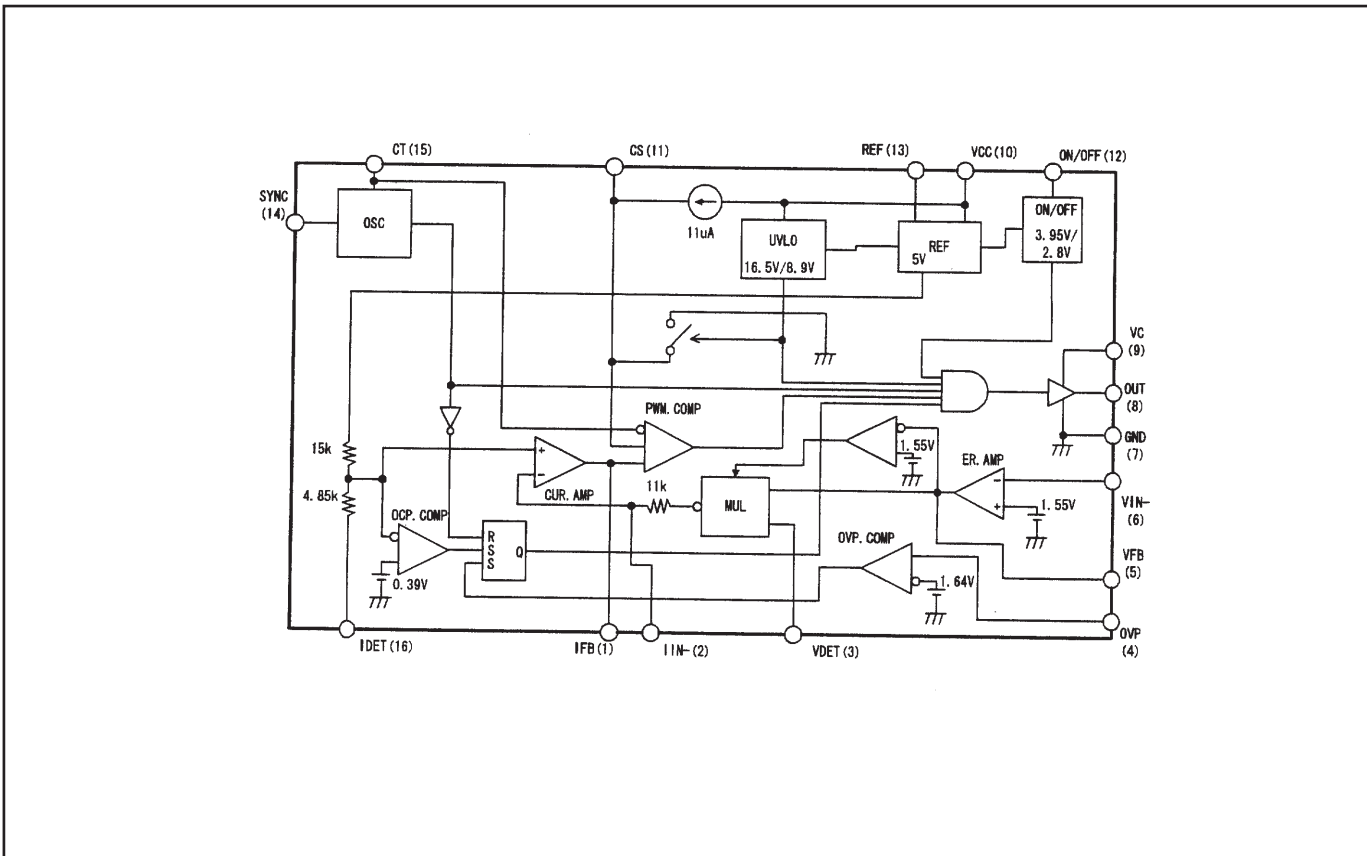
● CXA7009 <S&H, IC501, IC531, IC561>



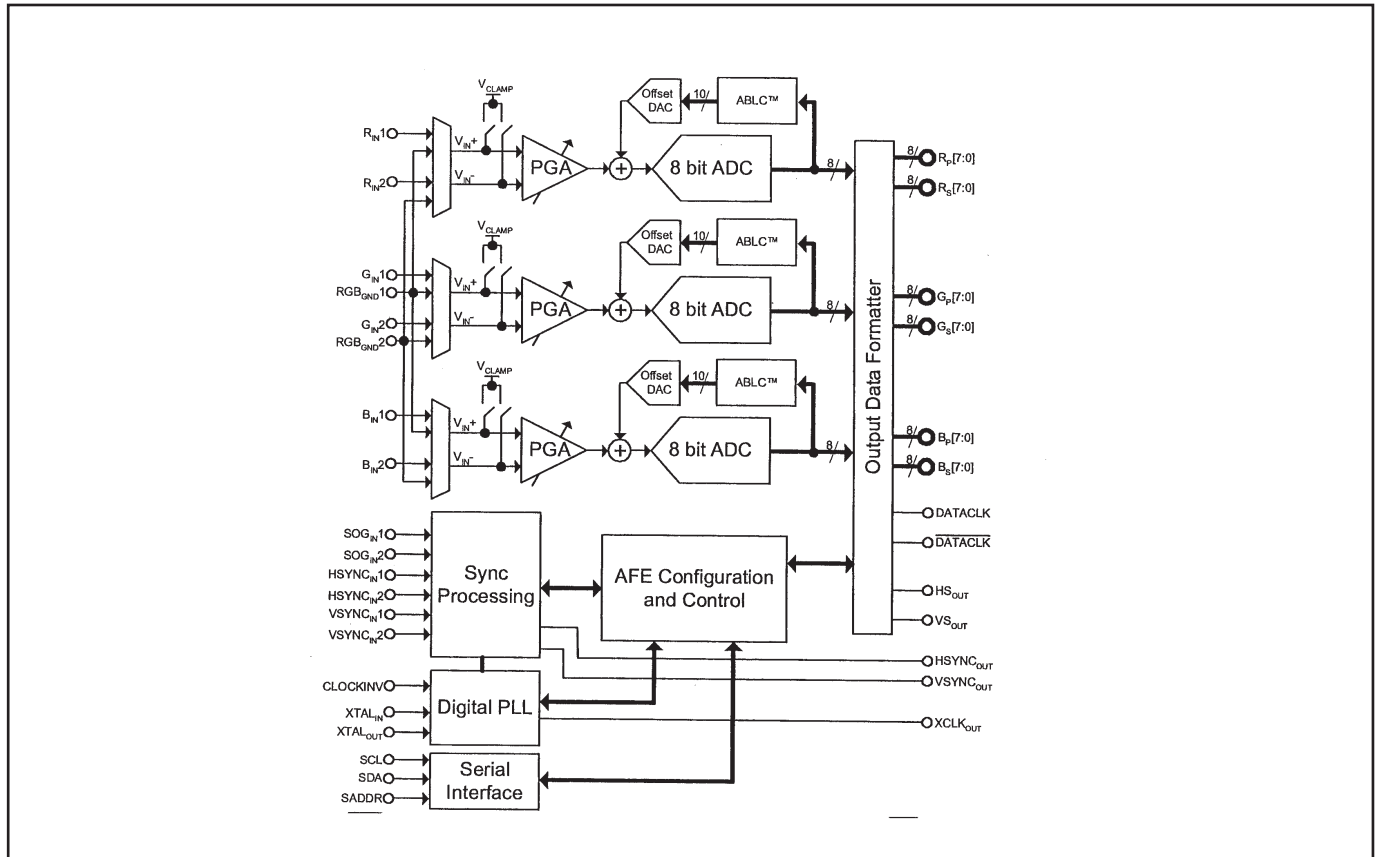
● CXD3540 <Digital Gamma Correction, IC401>



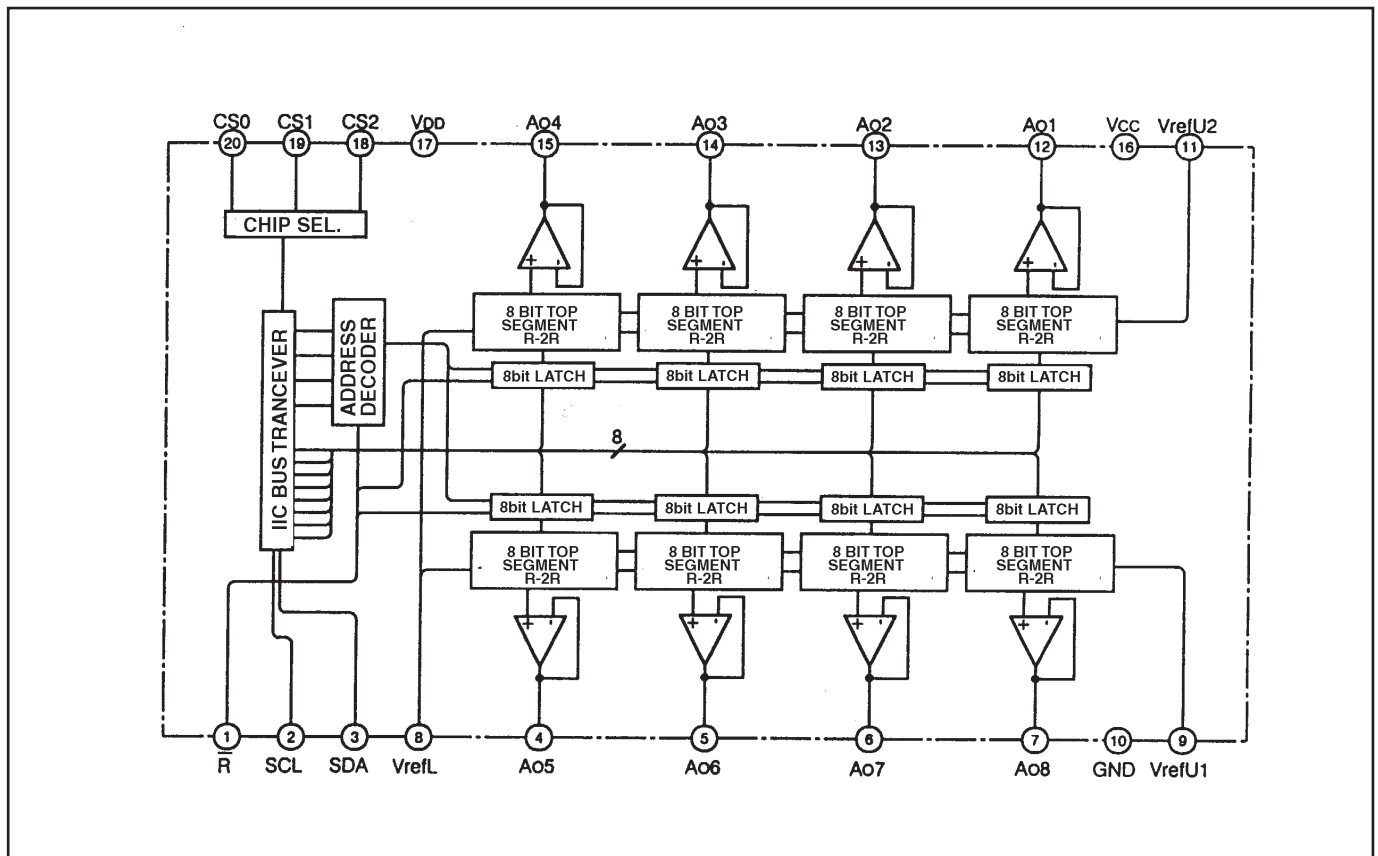
● FA5502 <P. F Control, IC601>



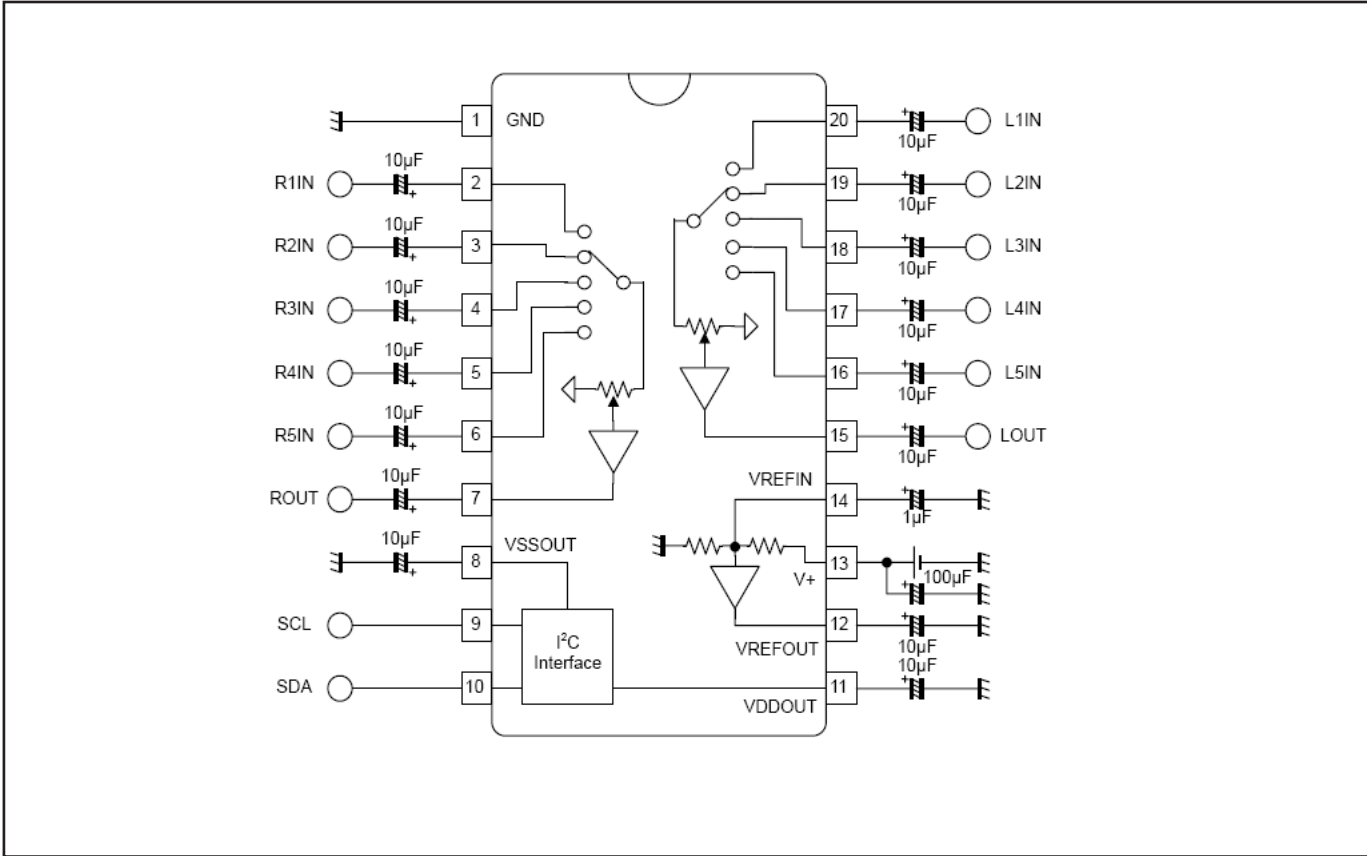
● ISL98001 <A/D Converter, IC2201>



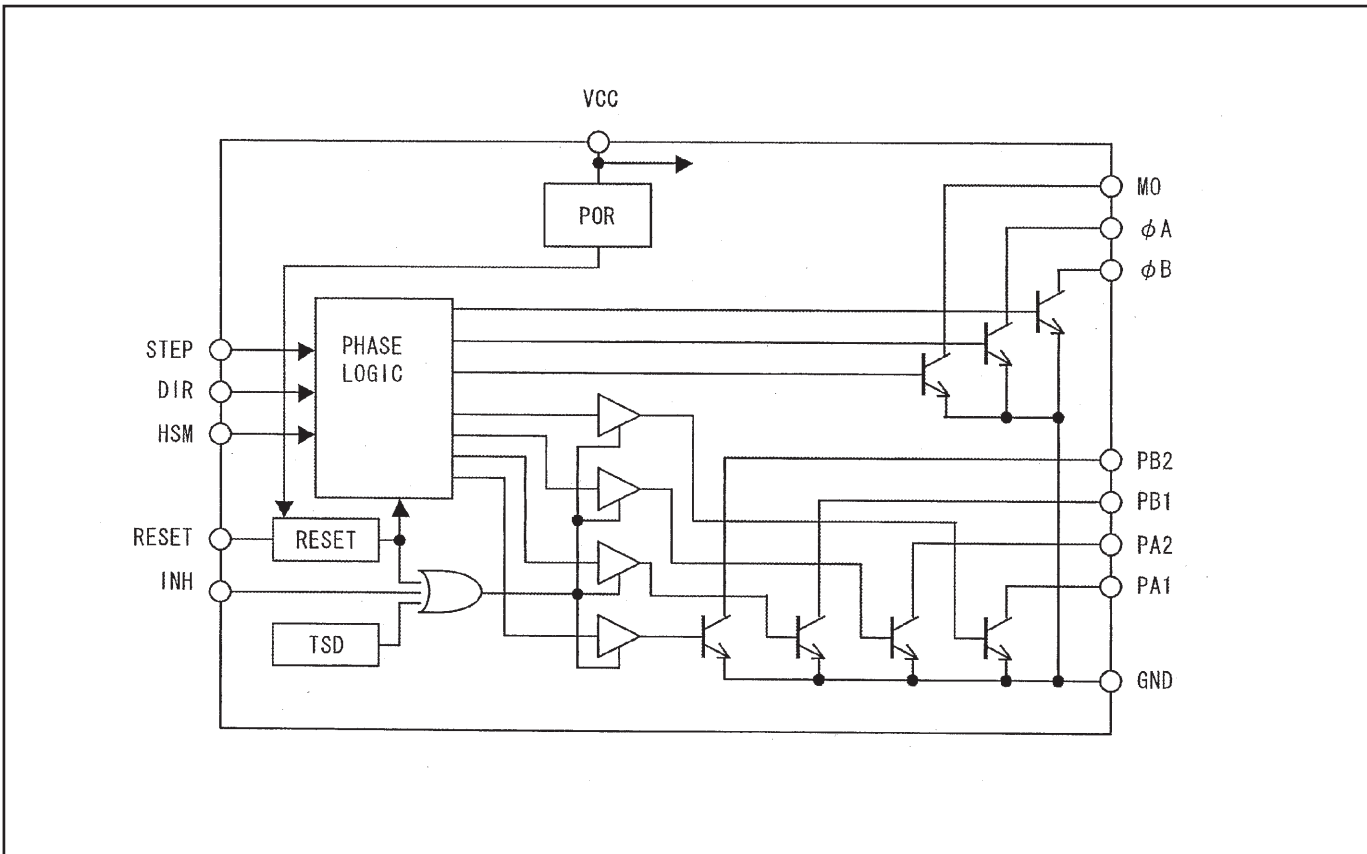
● M62393 <DAC, IC7801>



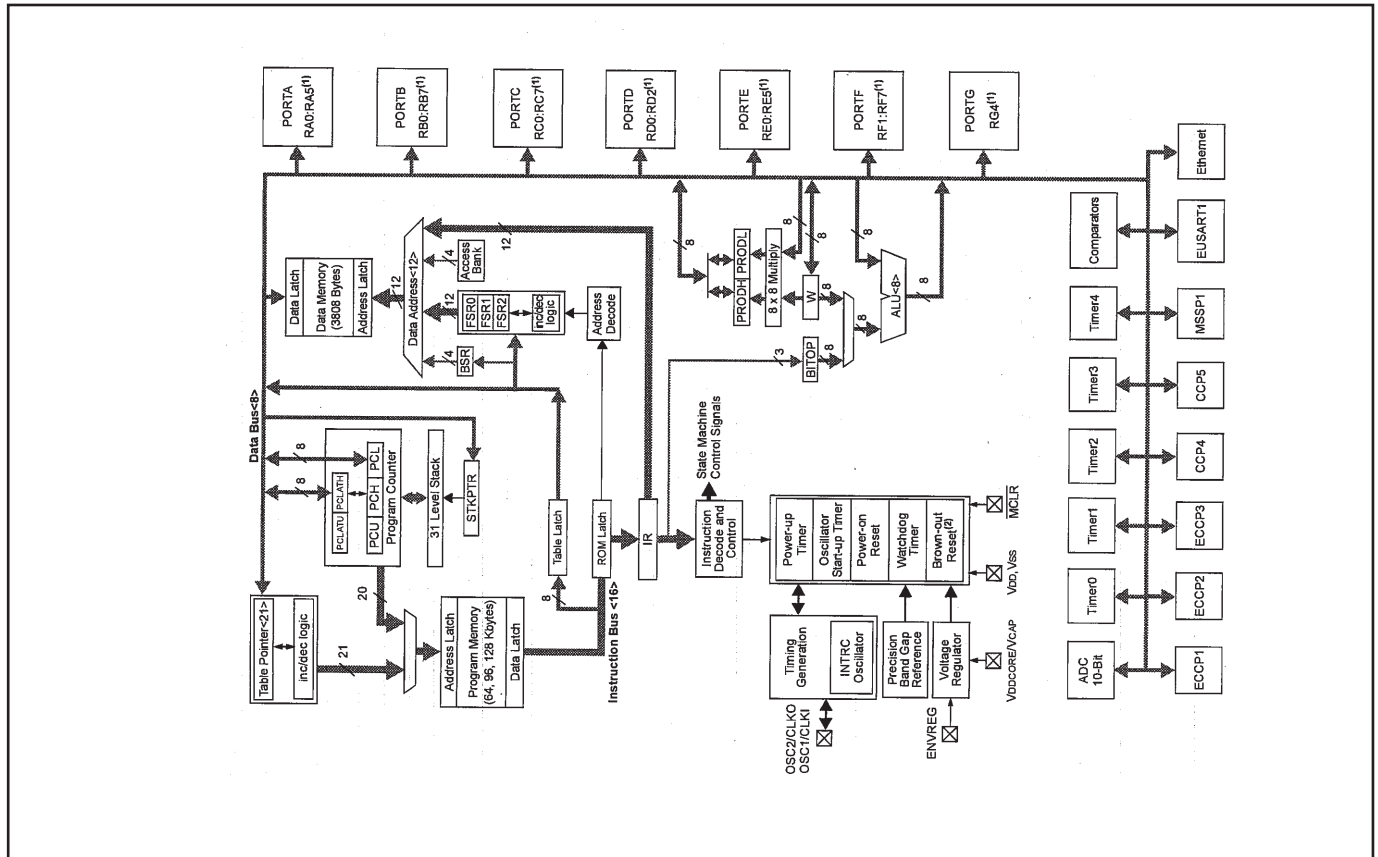
● NJW1156 <Audio Selector, IC5001>



● NJM2671 <Motor Controller, IC5541>



● PIC18F67 <PIC, IC8801>



● PW392 <Scaler, IC301>

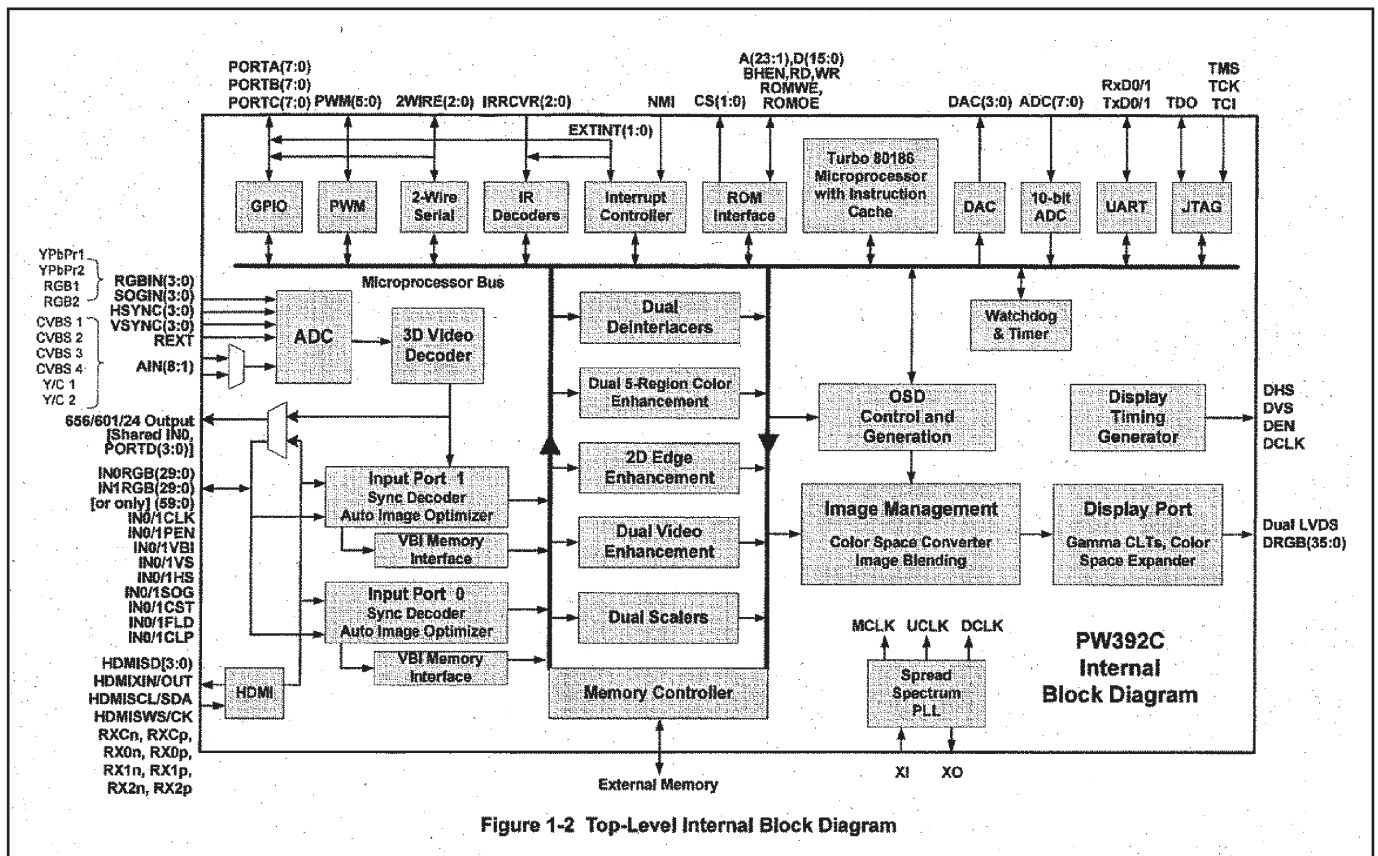
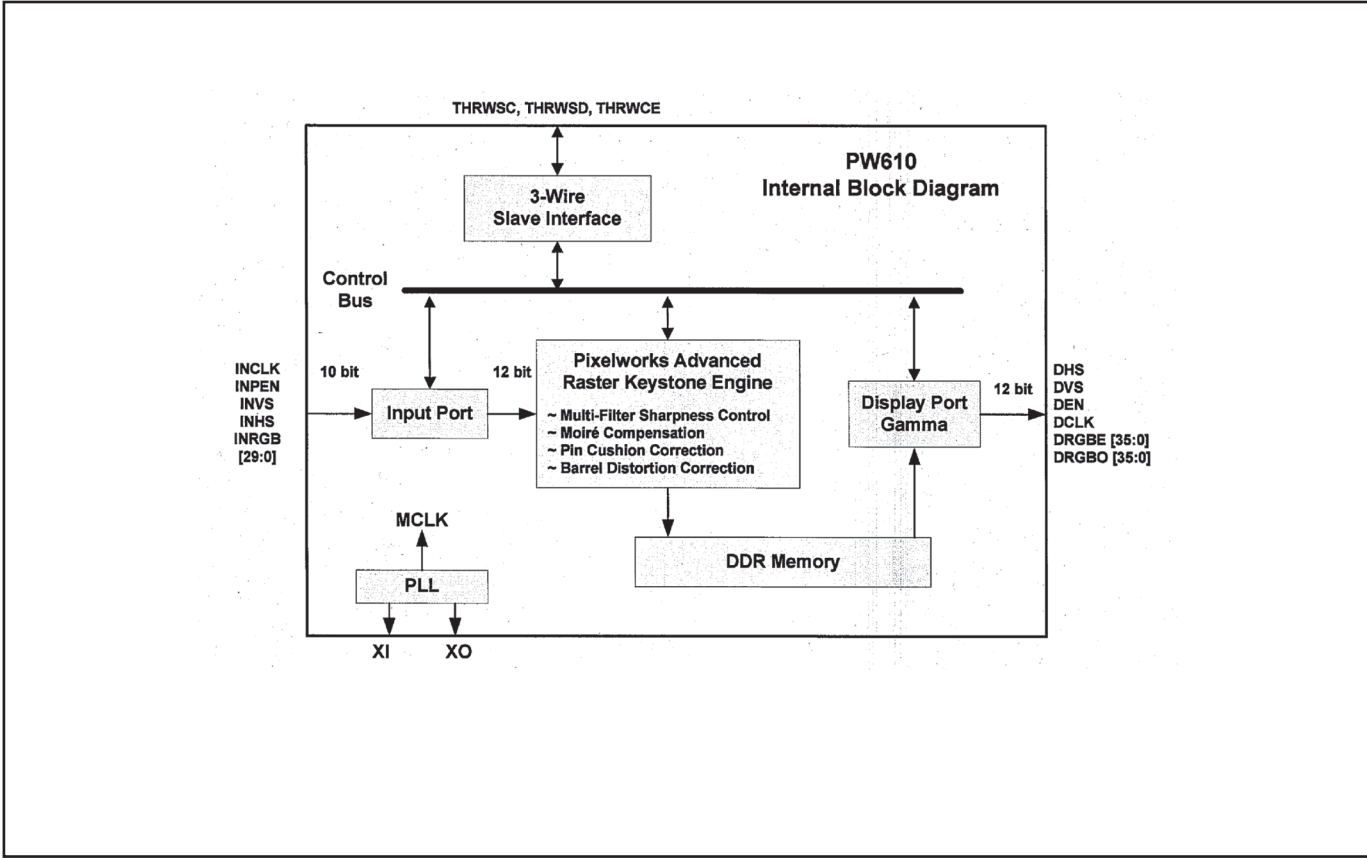
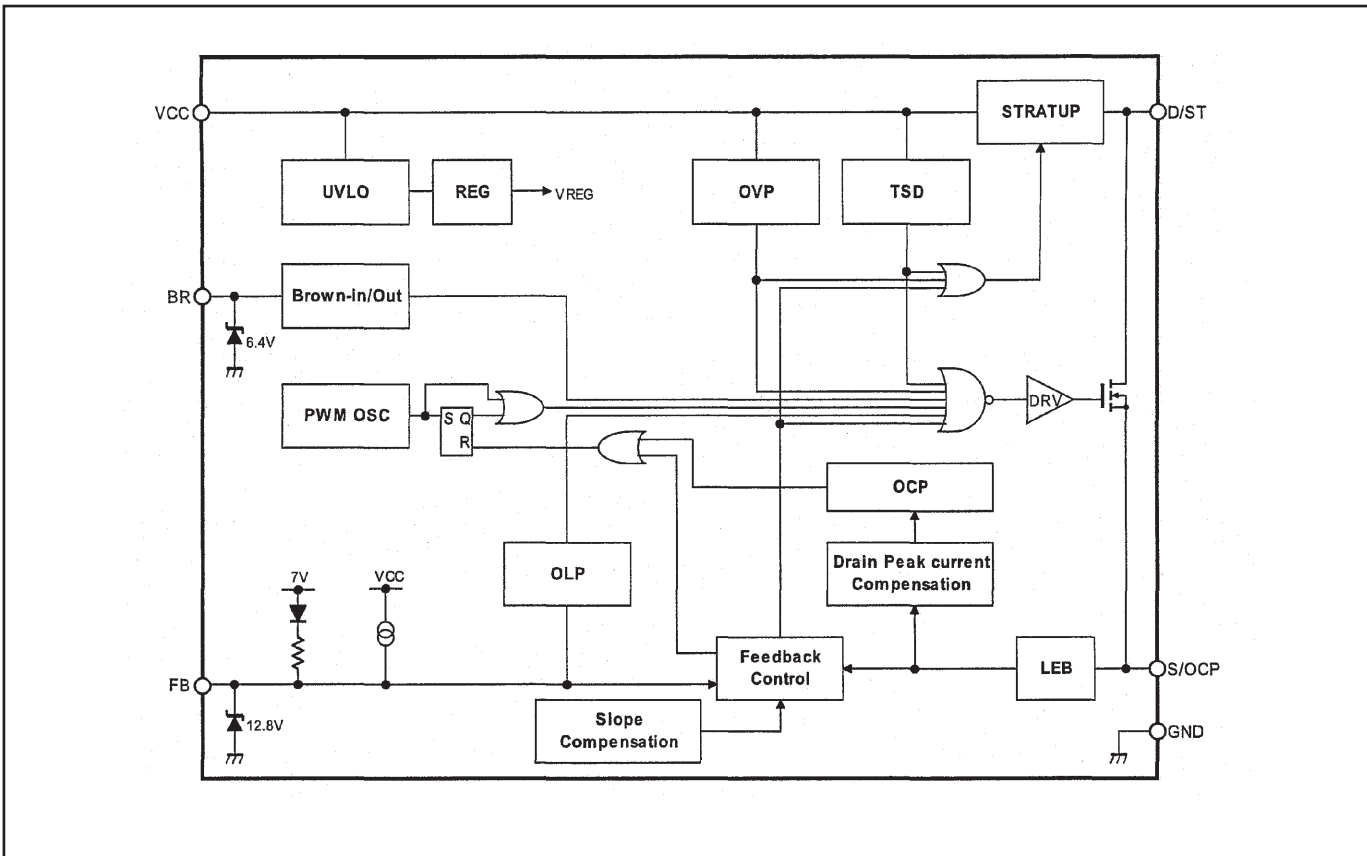


Figure 1-2 Top-Level Internal Block Diagram

● PW610 <Keystone, IC2301>



● STR-A6079 <Power switching, IC603>



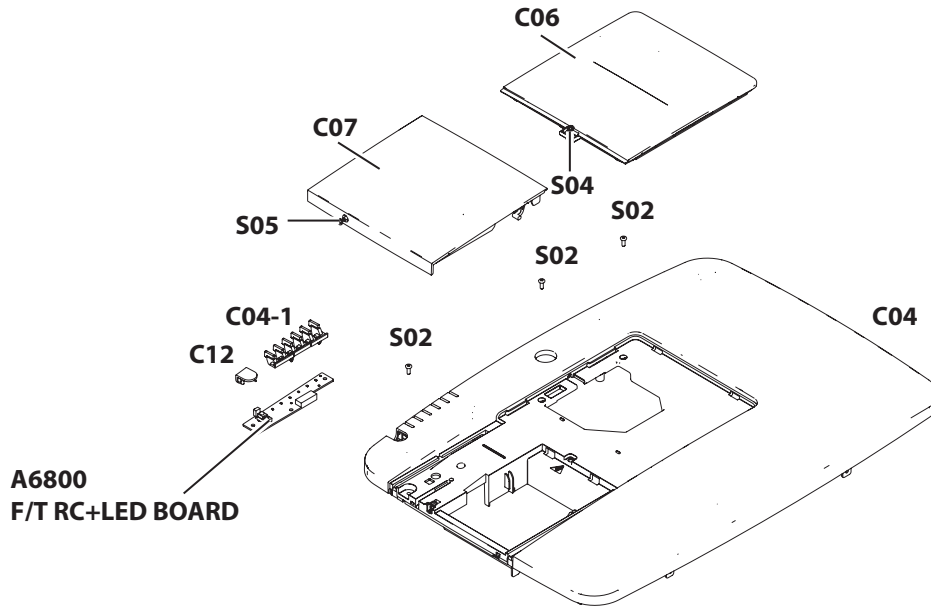




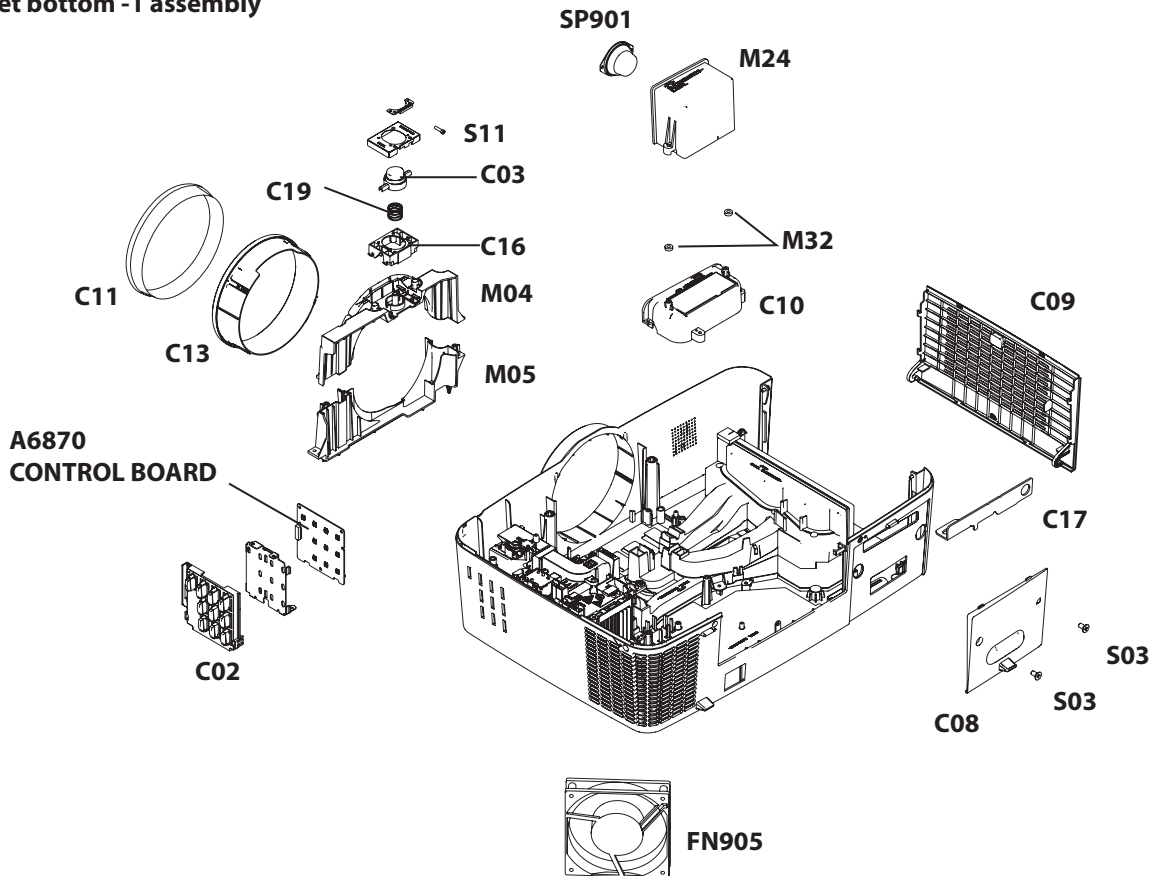


# Parts Location Diagrams

## Cabinet top assembly

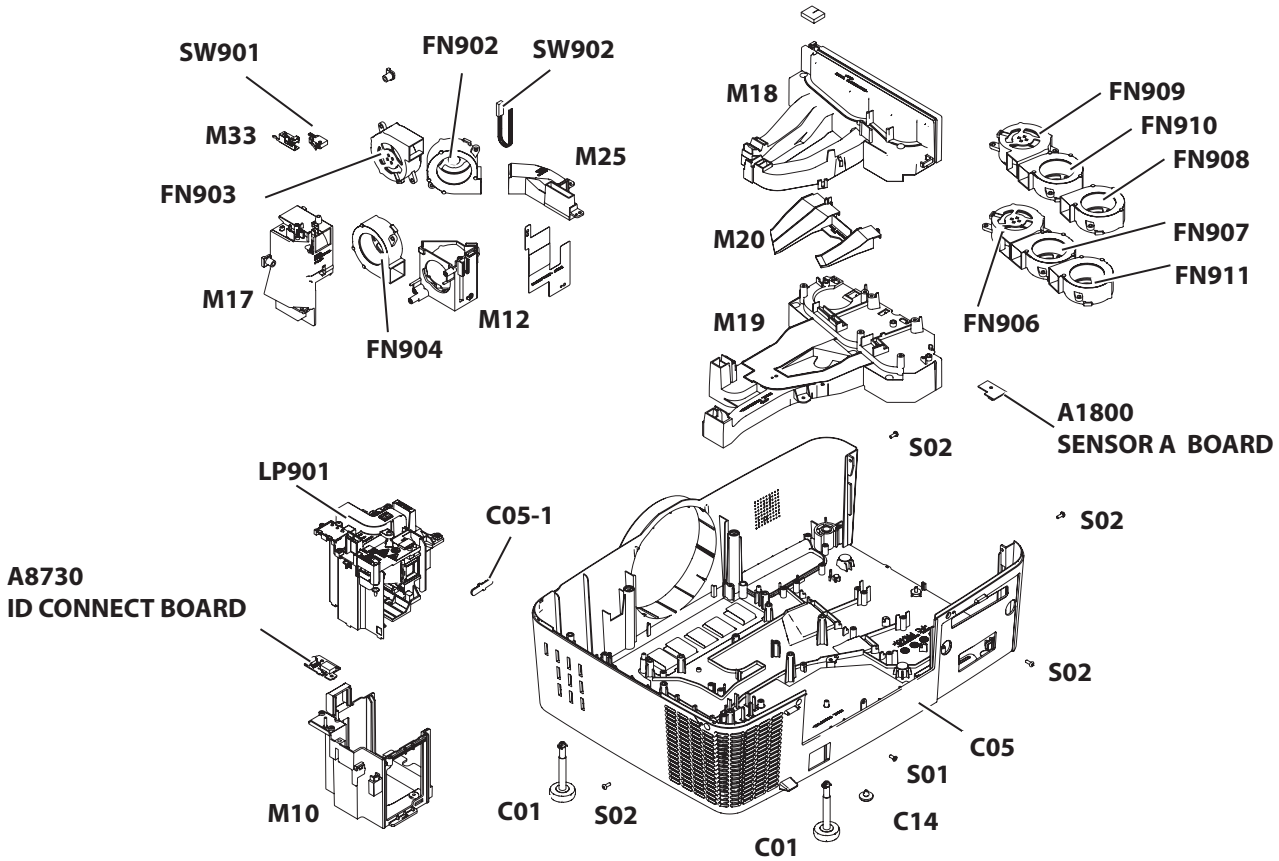


## Cabinet bottom - 1 assembly

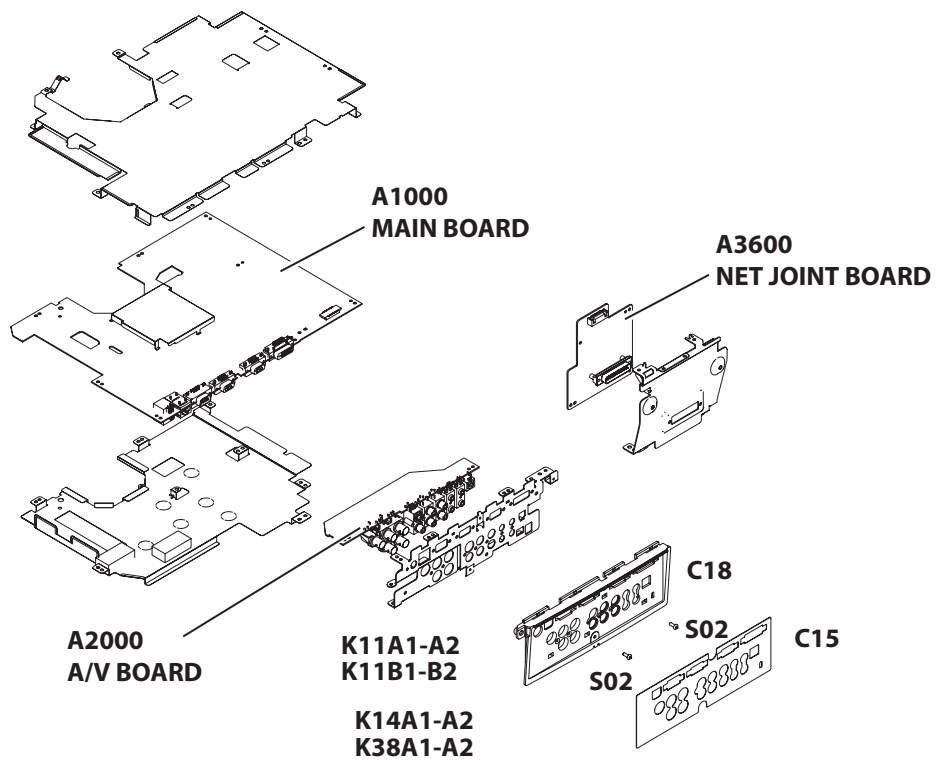


Parts Location Diagrams

Cabinet bottom-2 assembly

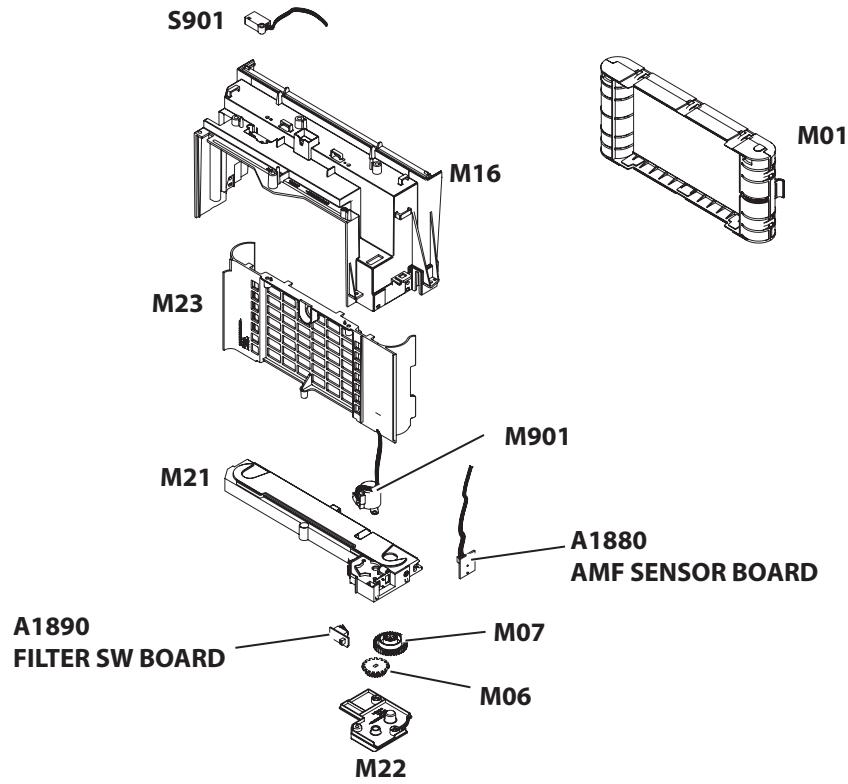


Main, A/V and Net Joint board assembly

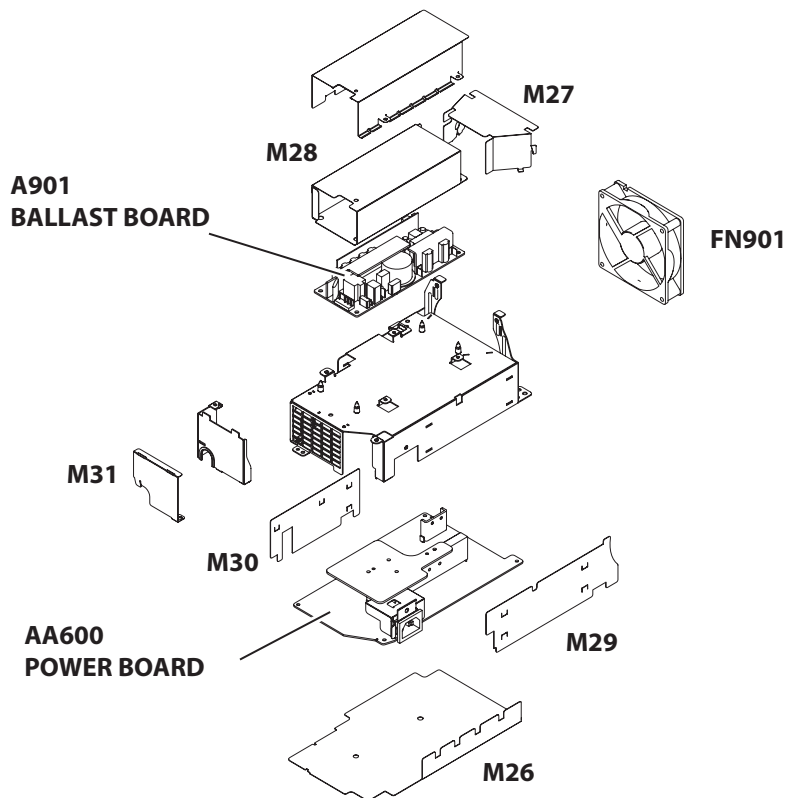


## Parts Location Diagrams

### Filter box assembly

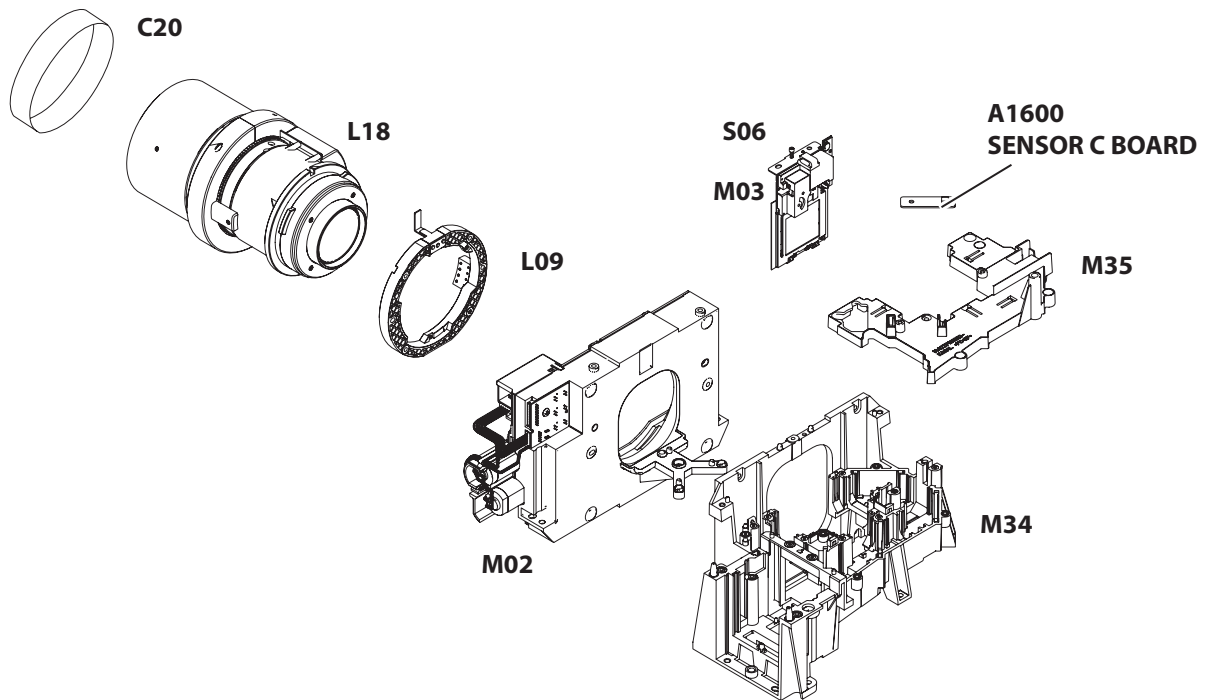


### Power box assembly

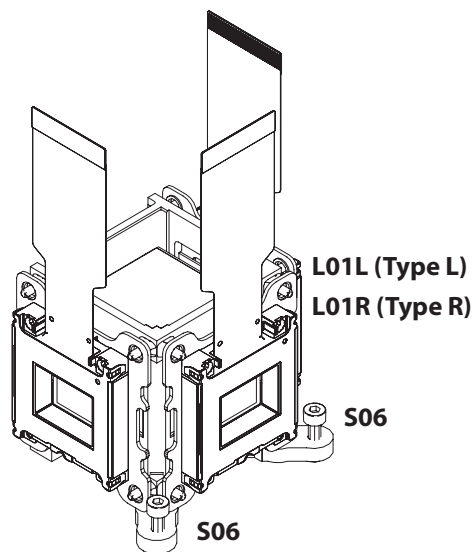


## Parts Location Diagrams

### Projection lens and Optical unit

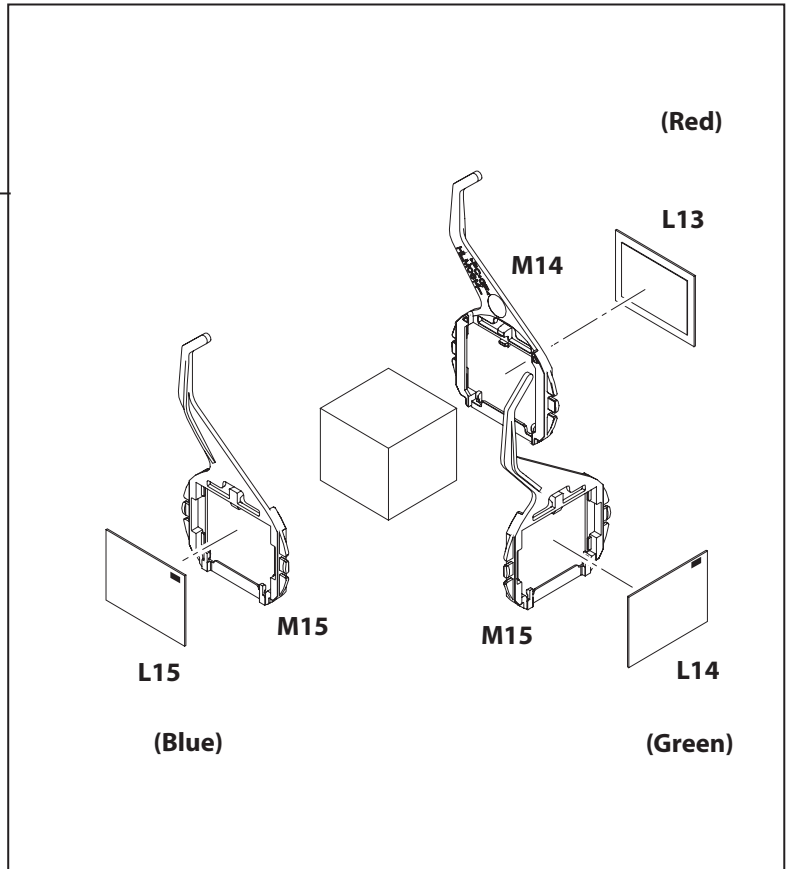
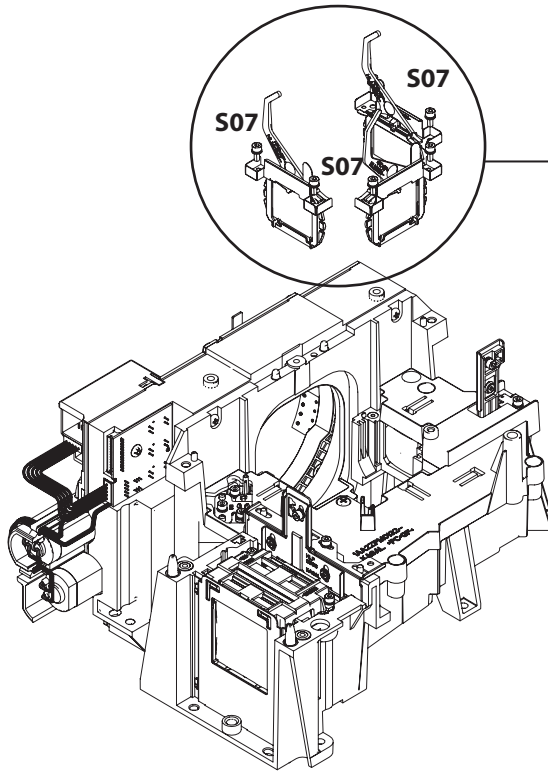


### LCD Panel/Prism assembly

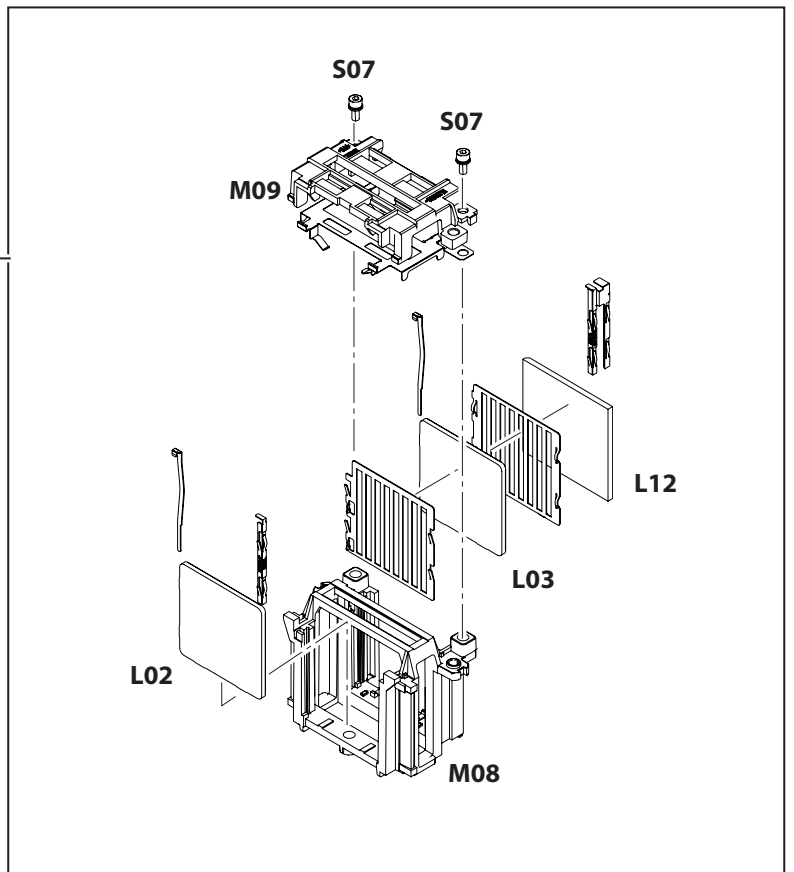
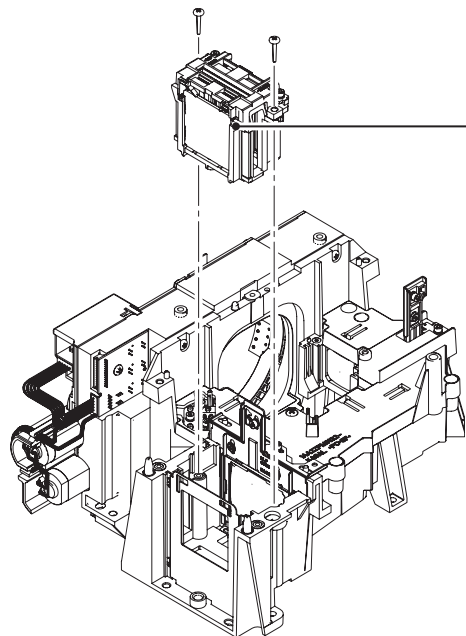


Parts Location Diagrams

Polarized glasses (in) assembly

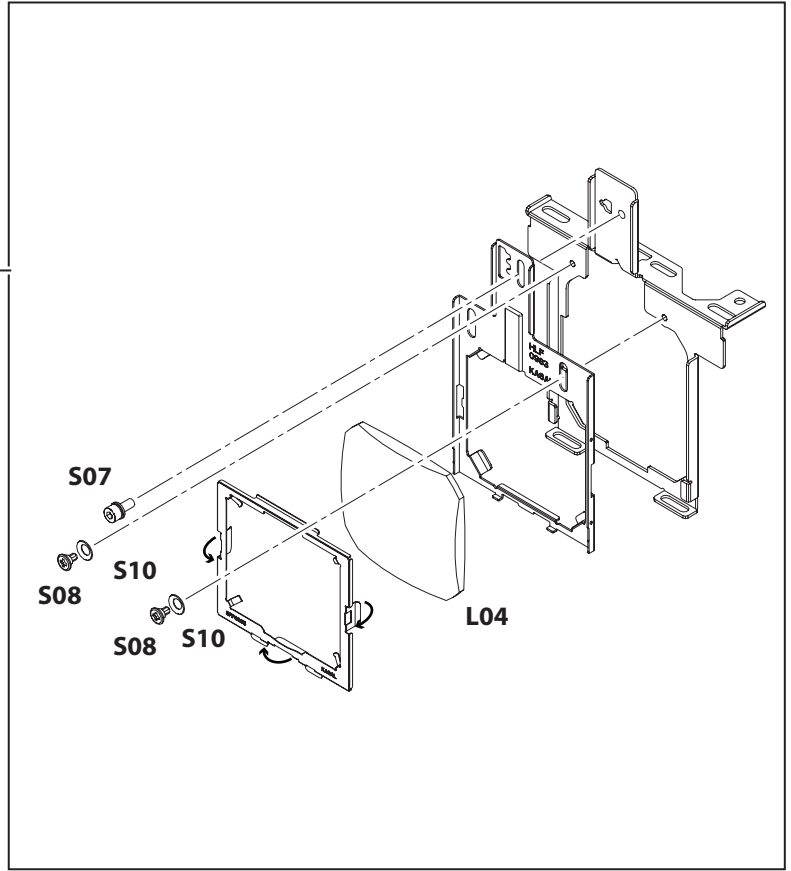
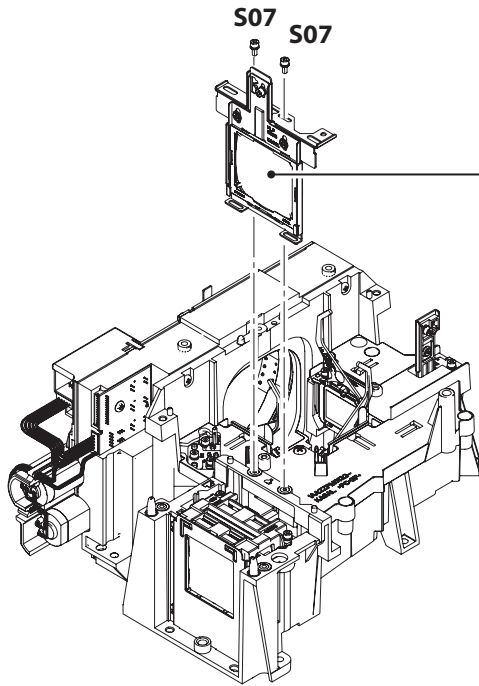


PBS and Integrator lens assembly

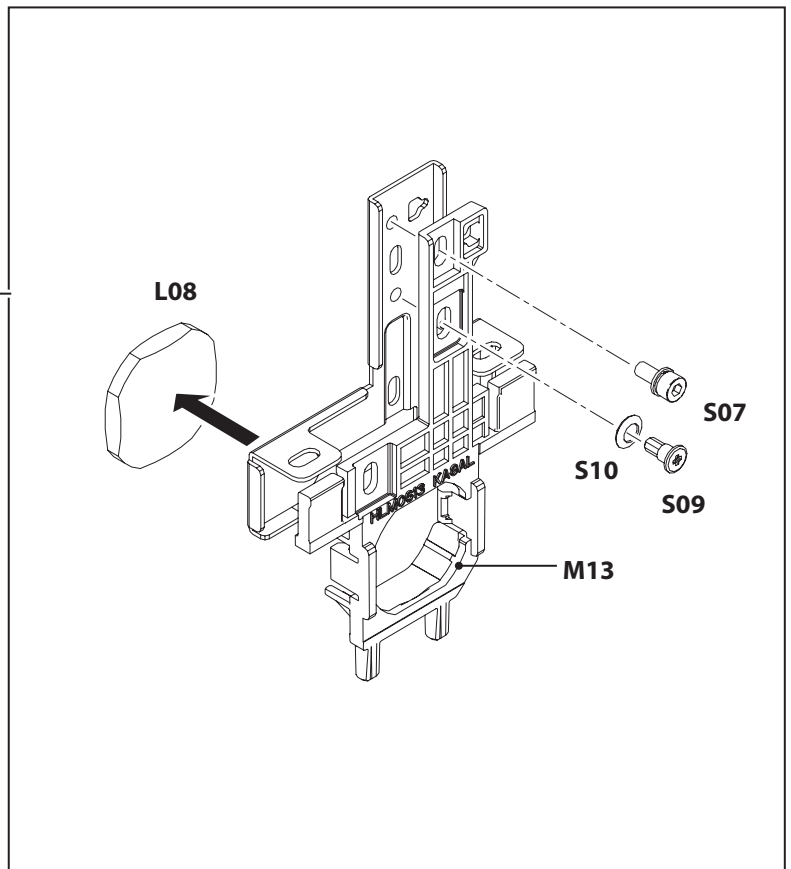
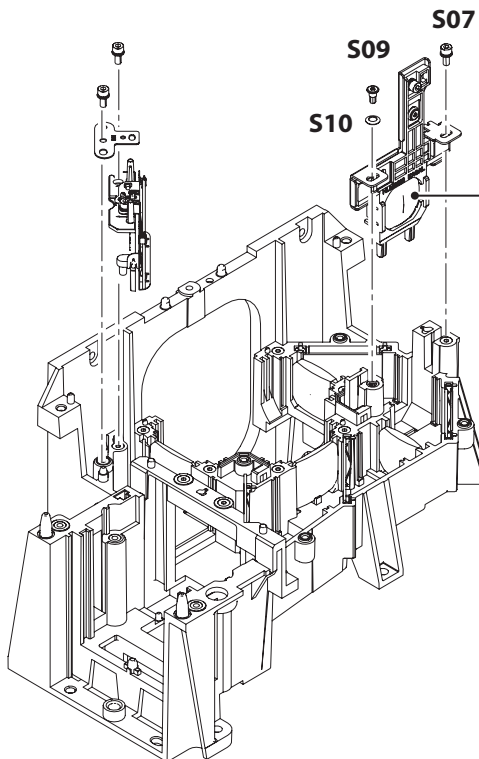


## Parts Location Diagrams

### Condenser lens assembly



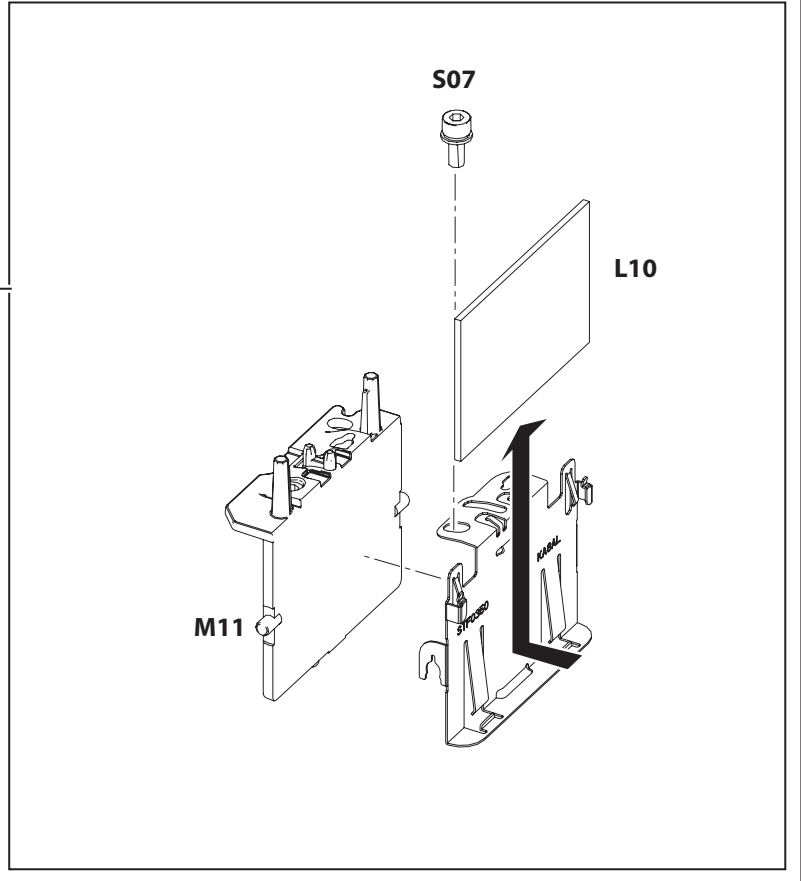
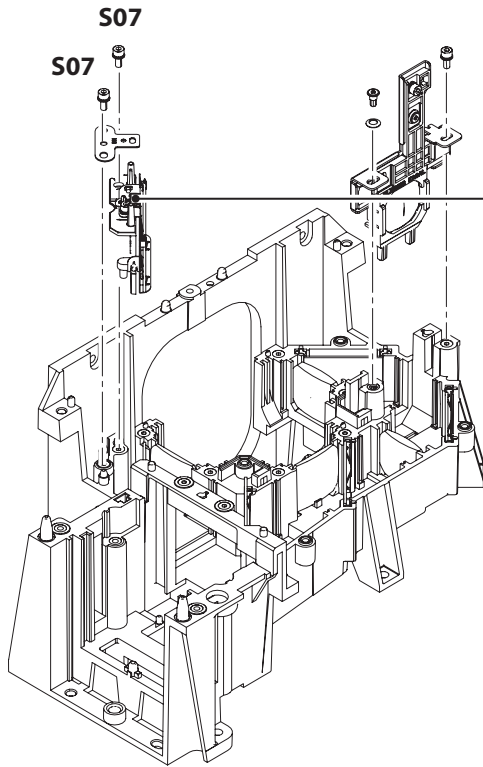
### Relay lens (In) assembly



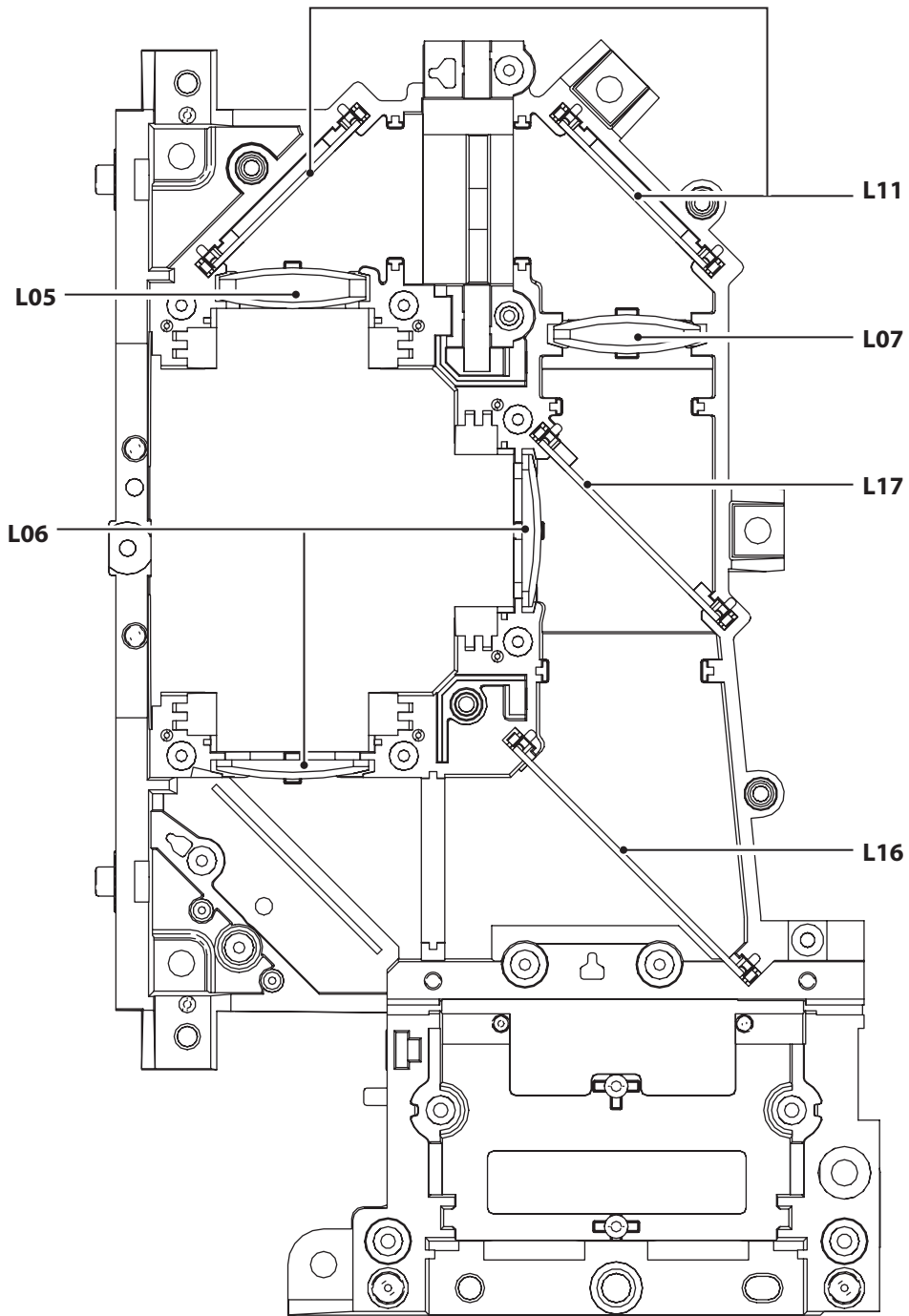


## Parts Location Diagrams

### Mirror (B) assembly



● In the optical unit



**CAUTION:**

Part must be placed in specified direction when replacing the optical parts. Please see "Optical Parts Disassembly" for further instructions.

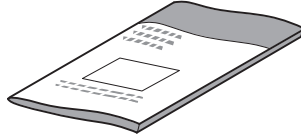
## Parts Location Diagrams

### ● Accessories (see accessories parts list)

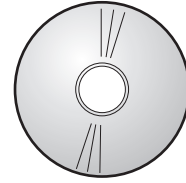
REMOTE CONTROL



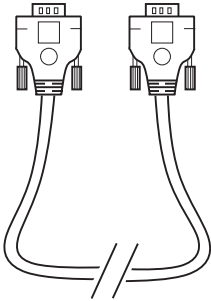
MANUALs



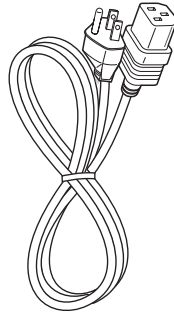
CD-ROMs



VGA CABLE



AC CORD



USB Cable



S11 ANTI-THEFT SCREW



# Mechanical Parts List

KA8-XM15000 / KA8-XM150L00  
KZ5-XM10000 / KZ5-XM100L00

Note: Parts order must contain Chassis No., Part No., and Descriptions.

Key No.	Part No.	Description	Key No.	Part No.	Description
<b>PACKING MATERIALS</b>			C16	610 346 8327	HLD BUTTON LNS-KA8AL
For PLC-XM150L			C17	610 346 8501	MOUNT LOCK-KA8AL
	610 349 3213	CARTON CASE-KA8AL	C18	610 346 8181	PNL AV-KA8AL
For PLC-XM100L			C19	610 346 8549	SPRING BUTTON LNS-KA8AL
	610 347 5172	CARTON CASE-KZ5AL	C20	610 347 7626	CAP LENS-KA8AL (PLC-XM150/PLC-XM100 only)
For PLC-XM150			<b>CHASSIS PARTS</b>		
	610 347 9286	SPACER LNS PACKING-KA8AL	M01	610 346 9034	ASSY,FILTER BOX
	610 348 7618	CARTON CASE-KA8A	M02	610 346 8921	COMPL MTG LNS-KA8AL
For PLC-XM100			M03	610 346 8914	COMPL MTG SHUT-KA8AL
	610 347 9286	SPACER LNS PACKING-KA8AL	M04	610 349 3336	COVER LNS TOP SRV-KA8AL
	610 348 7601	CARTON CASE-KZ5A	M05	610 349 3275	COVER LNS BTM SRV-KA8AL
Common			M06	610 346 9164	GEAR MOTOR-KA8AL
	610 346 9249	POLY BAG	M07	610 346 9171	GEAR FILTER UNIT-KA8AL
	610 347 9293	CASE ACCESSORY-KA8AL	M08	610 346 3063	HOLDER INT PBS BTM-KA8AL
	610 346 9287	CUSHION TOP-KA8AL	M09	610 346 3070	HOLDER INT PBS TOP-KA8AL
	610 346 9263	CUSHION BTM-KA8AL	M10	610 346 8389	HLD LAMP HOUSE-KA8AL
<b>ACCESSORIES</b>			M11	610 346 8334	HOLDER MIRROR B-KA8AL
OWNERS MANUAL			M12	610 346 8341	HOLDER LMP FAN-KA8AL
	655 003 2140	SETUP INST-KA8AL	M13	610 346 8365	HOLDER LNS RELAY-KA8AL
	610 347 4830	CD-ROM,OWNERS MANUAL-KA8AL	M14	610 346 8396	HOLDER POL IN
REMOTE CONTROL			M15	610 346 8419	HOLDER POL IN F
	645 097 4069	ASSY,REMOCON CXZH	M16	610 349 3305	HLD FILTER UNIT SRV-KA8AL
	610 335 0530	RC-BATTERY LID-CXWP	M17	610 347 0849	HOLDER LMP FN TOP-KA8AL
AC CORD			M18	610 349 3329	MTG DUCT PNL TOP SRV-KA8AL
US	945 064 6363	CORD,POWER-3.0MK,US	M19	610 349 3312	MTG DUCT PNL BTM SRV-KA8AL
EU	945 054 1156	CORD,POWER-3.0MK	M20	610 346 8662	MTG DUCT PNL C-KA8AL
UK	945 054 1149	CORD,POWER-3.138MK	M21	610 349 3343	MTG MOTOR SRV-KA8AL
MISCELLANEOUS			M22	610 346 9140	MTG GEAR-KA8AL
	945 063 6937	CABLE,USB	M23	610 346 9133	MTG FILTER UNIT-KA8AL
	945 063 6944	CABLE,USB	M24	610 349 5187	MTG SPK SRV-KA8AL
	945 073 4855	CABLE,INTERFACE VGA	M25	610 347 4212	MTG DUCT PBS-KA8AL
	645 093 1642	CABLE,INTERFACE VGA	M26	610 346 8976	SPC SHT POW BTM-KA8AL
	652 002 9552	CABLE,INTERFACE VGA	M27	610 346 8983	SPC SHT POW FAN-KA8AL
S11	411 219 5500	BOLT HEX-SCT 3X11	M28	610 346 8990	SPC SHT BALLAST-KA8AL
<b>CABINET PARTS</b>			M29	610 346 9003	SPC SHT HLD POW A-KA8AL
C01	610 346 8457	ASSY STAND LEG-KA8AL	M30	610 346 9010	SPC SHT HLD POW B-KA8AL
C02	610 346 8259	BUTTON CONTROL-KA8AL	M31	610 348 4495	SPC_HLD MAIN PWB-KA8AL
C03	610 346 8310	BUTTON LNS REL-KA8AL	M32	610 347 9262	SPACER SPK BOSS-KA8AL
C04	610 349 3350	CAB TOP SRV-KA8AL	M33	610 348 4525	SHD LMP SW-KA8AL
C04-1	610 346 8211	DEC INLAY LED-KA8AL	M34	610 346 3056	OPTICAL BASE BTM-KA8AL
C05	610 349 3282	CAB BTM SRC-KA8AL	M35	610 346 8631	OPT BASE TOP-KA8AL
C05-1	610 342 6891	BADGE SANYO-KH7AL	<b>SCREWS</b>		
C06	610 346 8167	COVER PRSM-KA8AL	S01	411 052 9802	SCR OVL 3X8
C07	610 346 8174	COVER LAMP-KA8AL	S02	411 031 9304	SCR BIN 3X8
C08	610 346 8266	COVER CAB BACK-KA8AL	S03	411 219 5005	SCR FLT 5X10
C09	610 346 8280	COVER FILTER-KA8AL	S04	412 079 6201	SPECIAL SCREW
C10	610 349 3299	COVER HDL SRV-KA8AL	S05	412 079 6409	SPECIAL SCREW
C11	610 346 8303	COVER WITHOUT LNS-KA8AL	S06	412 079 3408	SPECIAL SCREW V
C12	610 346 8235	DEC INLAY RC-KA8AL	S07	412 077 8108	SPECIAL SCREW-2.5X6
C13	610 346 8228	DEC RING CAB BTM-KA8AL	S08	312 070 3509	SPECIAL SCREW V
C14	610 346 8495	DEC LEG-KA8AL	S09	412 079 4504	SPECIAL SCREW FINE 2.5X6
C15	610 346 8532	DEC AV SHEET-KA8AL	S10	312 062 5504	SPECIAL WASHER
<b>OPTICAL PARTS</b>			L01L*	610 349 2940	ASSY,PNL/PRISM L-KA8AL
			L01R*	610 349 4470	ASSY,PNL/PRISM R-KA8AL
			L02	645 101 1558	LENS,INTEGRATOR(IN)

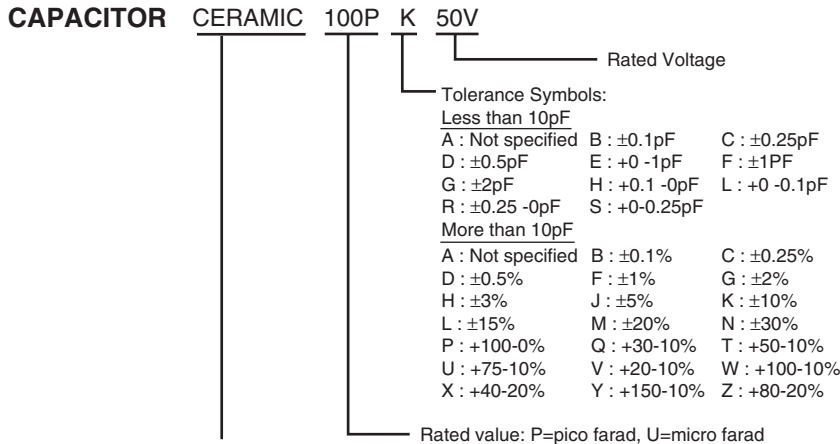
**Mechanical Parts List**

Key No.	Part No.	Description	Key No.	Part No.	Description
L03	645 101 1565	LENS,INTEGRATOR(OUT)			
L04	645 101 1596	LENS,CONDENSER(OUT)			
L05	645 101 1602	LENS,CONDENSER(R)			
L06	645 101 1619	LENS,CONDENSER(G)			
L07	645 101 1626	LENS,RELAY(IN)			
L08	645 101 1633	LENS,RELAY(OUT)			
L09	645 101 6553	LENS,PROJECTION-MOUNT			
L10	645 101 8113	MIRROR(B)			
L11	645 101 8120	MIRROR(R)			
L12	645 101 8106	PRISM(PBS)			
L13	645 101 6034	POLARIZED GLASS(IN/R)			
L14	645 101 6041	POLARIZED GLASS(IN/G)			
L15	645 101 6058	POLARIZED GLASS(IN/B)			
L16	645 101 6027	DICHROIC MIRROR (B)			
L17	645 101 8137	DICHROIC MIRROR (G)			
L18	645 101 1053	ASSY,LENS,PROJECTION (PLC-XM150/PLC-XM100 only)			
<p>* There are 2 type of LCD Panel/Prism Assy. Check which type of LCD Panel/Prism Assy is used. How to check the type, see the item "Optical Parts Disassembly".</p>					
<p><b>SERVICE TOOLS</b></p>					
	610 343 5596	CD-ROM,PJ SVC TOOL V420			

Product safety should be considered when a component replacement is made in any area of a projector. Components indicated by a  $\Delta$  mark in this parts list and the circuit diagram show components whose value have special significance to product safety. It is particularly recommended that only parts specified on the following parts list be used for components replacement pointed out by the mark.

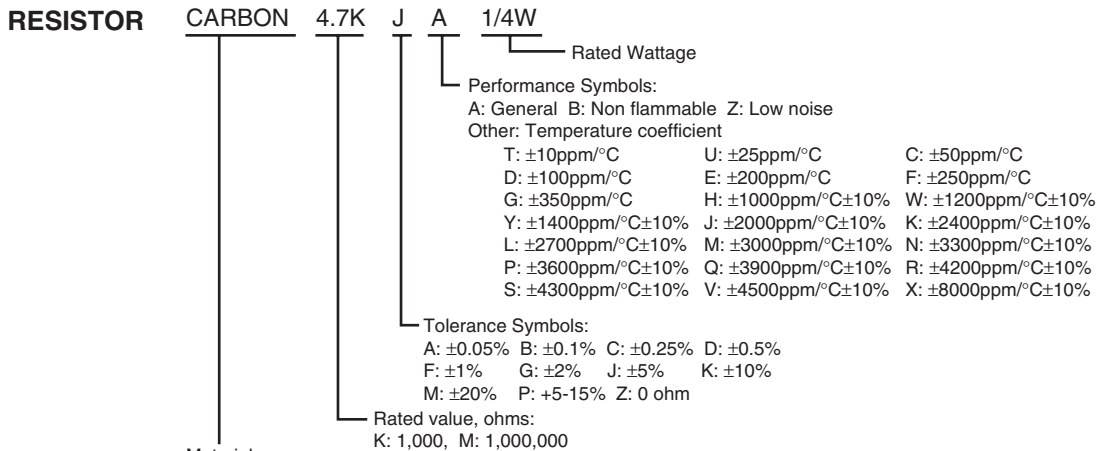
## ● Read Description in the parts list

Read description in the Capacitor and Resistor as follows:



Material:

- CERAMIC..... Ceramic
- MT-PAPER..... Metallized Paper
- POLYESTER..... Polyester
- MT-POLYEST.....Metallized Polyester
- POLYPRO..... Polypropylene
- MT-POLYPRO.....Metallized Polypropylene
- COMPO FILM..... Composite film
- MT-COMPO.....Metallized Composite
- STYRENE.....Styrene
- TA-SOLID..... Tantalum Oxide Solid Electrolytic
- AL-SOLID..... Aluminium Solid Electrolytic
- ELECT..... Aluminum Foil Electrolytic
- NP-ELECT..... Non-polarised Electrolytic
- OS-SOLID..... Aluminium Solid with Organic Semiconductive Electrolytic
- POS-SOLID..... Polymerized Organic Semiconductive
- DL-ELECT..... Double Layered Electrolytic
- PPS-FILM.....Polyphenylene Sulfide Film
- MT-PPS-FILM.....Metalized Polyphenylene Sulfide Film
- MT-PEN-FILM.....Metalized Polyethylenenaphthalate Film
- CAPACITOR.....Other



Material:

- CARBON..... Carbon
- MT-FILM..... Metal Film
- OXIDE-MT..... Oxide Metal Film
- SOLID..... Composition
- MT-GLAZE..... Metal Glaze
- WIRE WOUND... Wire Wound
- CERAMIC RES.. Ceramic
- FUSIBLE RES.... Fusible
- RESISTOR .....Other

Electrical Parts List

Key No.	Part No.	Description	Key No.	Part No.	Description
<b>ASSEMBLED BOARDS</b>					
For PLC-XM150L / PLC-XM150					
A1000	655 003 1051	ASSY,PWB,MAIN KA8AL	K11A1	312 073 0406	SPECIAL SCREW
A1600	655 003 1044	ASSY,PWB,SENSOR C KA8AL	K11A2	312 073 0406	SPECIAL SCREW
A1800	655 003 1037	ASSY,PWB, SENSOR A KA8AL	K11B1	312 073 0406	SPECIAL SCREW
A1880	655 003 1020	ASSY,PWB,AMF SENSOR KA8AL	K11B2	312 073 0406	SPECIAL SCREW
A1890	655 003 1013	ASSY,PWB,FILTER SW KA8AL	K14A1	312 073 0406	SPECIAL SCREW
A8730	655 003 1006	ASSY,PWB,ID CONNECT KA8AL	K14A2	312 073 0406	SPECIAL SCREW
A2000	655 003 0979	ASSY,PWB,A/V KA8AL	K38A1	312 073 0406	SPECIAL SCREW
A3600	655 003 0962	ASSY,PWB,NET JOINT KA8AL	K38A2	312 073 0406	SPECIAL SCREW
A6800	655 003 0955	ASSY,PWB,F/T RC+LED KA8AL	M901	645 093 2571	MOTOR,DC 12V
A6870	655 003 0948	ASSY, PWB ,CONTROL KA8AL	S901	645 093 2533	UNIT,WIND VELOCITY SENSOR
AA600	655 003 0924	ASSY, PWB, POWER KA8AL	SP901	652 002 6445	SPEAKER,8
For PLC-XM100L / PLC-XM100			△ SW902	652 003 0954	SWITCH,THERMAL
A1000	655 003 4601	ASSY,PWB,MAIN KZ5AL	Z6B&SW	652 003 0961	ASSY,WIRE (SW901)
A1600	655 003 1044	ASSY,PWB,SENSOR C KA8AL	△ Z8B&SW	652 003 0862	ASSY,WIRE (SW902)
A1800	655 003 1037	ASSY,PWB, SENSOR A KA8AL			
A1880	655 003 1020	ASSY,PWB,AMF SENSOR KA8AL			
A1890	655 003 1013	ASSY,PWB,FILTER SW KA8AL			
A8730	655 003 1006	ASSY,PWB,ID CONNECT KA8AL			
A2000	655 003 0979	ASSY,PWB,A/V KA8AL			
A3600	655 003 0962	ASSY,PWB,NET JOINT KA8AL			
A6800	655 003 0955	ASSY,PWB,F/T RC+LED KA8AL			
A6870	655 003 0948	ASSY, PWB ,CONTROL KA8AL			
AA600	655 003 0924	ASSY, PWB, POWER KA8AL			
<b>OUT OF CIRCUIT BOARD</b>					
For PLC-XM150L/PLC-XM150					
△ LP901	610 346 9607	COMPL,OPT LMP-KA8AL			
△ A901	645 093 0980	UNIT,BALLAST			
A901A	610 349 4319	CABLE,BALLAST SERVICE KA8AL			
△ FN903	645 101 9707	MOTOR,BLW DC ***W			
△ FN904	645 101 9738	MOTOR,BLW DC ***W			
For PLC-XM100L/PLC-XM100					
△ L901	610 347 5158	COMPL,OPT LMP-KZ5AL			
△ A901	610 349 5538	UNIT, BALLAST SERVICE			
△ FN903	645 102 2066	MOTOR,BLW DC ***W			
△ FN904	645 102 2073	MOTOR,BLW DC ***W			
<b>Common</b>					
L901	945 033 2228	CORE,FERRITE			
L902	645 063 6905	CORE,CLAMP			
L903	945 023 4959	CORE,CLAMP			
L904	945 003 3835	CORE,FERRITE			
L905	945 023 4959	CORE,CLAMP			
△ FN901	645 101 9752	MOTOR,FAN DC 2.16W			
△ FN902	645 101 9745	MOTOR,BLW DC ***W			
△ FN905	645 101 9769	MOTOR,FAN DC 2.52W			
△ FN906	645 101 9721	MOTOR,BLW DC ***W			
△ FN907	645 101 9714	MOTOR,BLW DC ***W			
△ FN908	645 101 9714	MOTOR,BLW DC ***W			
△ FN909	645 101 9691	MOTOR,BLW DC ***W			
△ FN910	645 101 9684	MOTOR,BLW DC ***W			
△ FN911	645 101 9684	MOTOR,BLW DC ***W			
			For PLC-XM150L / PLC-XM150		
			A1000	655 003 1051	ASSY,PWB,MAIN KA8AL
			For PLC-XM100L / PLC-XM100		
			A1000	655 003 4601	ASSY,PWB,MAIN KZ5AL
			<b>TRANSISTOR</b>		
			Q013	406 021 7804	TR 2SC4617
			Q014	406 021 7804	TR 2SC4617
			Q036	406 021 7804	TR 2SC4617
			Q037	406 021 7804	TR 2SC4617
			Q1001	305 217 4913	TR RN1111 TE85L
			Q1002	305 217 4913	TR RN1111 TE85L
			Q1003	305 217 4913	TR RN1111 TE85L
			Q1004	406 021 7804	TR 2SC4617
			Q1008	406 021 7804	TR 2SC4617
			Q1009	305 134 5928	TR 2SA1037AK-T146-R
				305 147 2218	TR 2SA1037AK-S-T146
				305 173 9618	TR 2SA1235A1E
				305 173 9717	TR 2SA1235A1F
				405 220 3115	TR ISA1235AC1E
				405 220 3016	TR ISA1235AC1F
			Q1011	305 134 5928	TR 2SA1037AK-T146-R
				305 147 2218	TR 2SA1037AK-S-T146
				305 173 9618	TR 2SA1235A1E
				305 173 9717	TR 2SA1235A1F
				405 220 3115	TR ISA1235AC1E
				405 220 3016	TR ISA1235AC1F
			Q1012	406 021 7804	TR 2SC4617
			Q1013	406 021 7804	TR 2SC4617
			Q1341	406 021 7804	TR 2SC4617
			Q1342	305 134 5928	TR 2SA1037AK-T146-R
				305 147 2218	TR 2SA1037AK-S-T146
				305 173 9618	TR 2SA1235A1E
				305 173 9717	TR 2SA1235A1F
				405 220 3115	TR ISA1235AC1E
				405 220 3016	TR ISA1235AC1F
			Q1343	305 134 5928	TR 2SA1037AK-T146-R
				305 147 2218	TR 2SA1037AK-S-T146
				305 173 9618	TR 2SA1235A1E
				305 173 9717	TR 2SA1235A1F
				405 220 3115	TR ISA1235AC1E
				405 220 3016	TR ISA1235AC1F
			Q1344	406 021 7804	TR 2SC4617
			Q1345	305 134 5928	TR 2SA1037AK-T146-R
				305 147 2218	TR 2SA1037AK-S-T146
				305 173 9618	TR 2SA1235A1E
				305 173 9717	TR 2SA1235A1F





Electrical Parts List

Key No. Part No. Description			Key No. Part No. Description		
IC4002	310 348 7501	IC TC7WT241FU(TE12L)			
IC401	409 700 0212	IC CXD3548GB			
IC4711	310 348 7402	IC TC74LCX125FT(EL)			
IC4801	309 671 7817	IC TE7783APF			
	309 633 6117	IC TE7783PF			
IC5291	409 699 6615	IC BD7820FP			
IC5501	309 362 1127	IC BA6287F			
IC5521	309 362 1127	IC BA6287F			
IC5532	410 656 8501	IC XC6216BC02MR			
IC5541	409 684 3919	IC NJM2671E2(TE1)			
IC5542	309 461 7822	IC PQ20WZ11			
IC5551	309 394 9310	IC TC7SH14FU(TE85L)			
IC5552	309 394 9310	IC TC7SH14FU(TE85L)			
IC5561	309 362 1127	IC BA6287F			
IC5601	309 531 6229	IC FA7701V-TE1			
IC5821	409 689 2115	IC MP2106DK			
IC5842	409 685 9415	IC MP2307DN			
IC5851	409 699 6615	IC BD7820FP			
IC5852	309 559 8912	IC AMS1117-2.5			
	409 701 4219	IC LM1117S-2.5			
IC5860	409 685 9415	IC MP2307DN			
IC5881	309 416 6518	IC BA05FP-E2			
IC5891	309 416 6518	IC BA05FP-E2			
IC5892	309 416 6518	IC BA05FP-E2			
IC592	309 461 7822	IC PQ20WZ11			
IC6501	309 400 7118	IC TC7W53FU-(TE12L)			
IC6502	309 537 6213	IC BA6920FP-YE2			
IC6521	309 537 6213	IC BA6920FP-YE2			
IC6541	309 400 7118	IC TC7W53FU-(TE12L)			
IC6551	309 464 1411	IC TC74ACT14FT			
IC6606	309 531 6229	IC FA7701V-TE1			
IC6609	409 685 9415	IC MP2307DN			
IC7611	409 685 8210	IC 74LVC1G08GW			
	309 330 2511	IC TC7SH04FU-(TE85L)			
IC7701	309 531 6229	IC FA7701V-TE1			
IC7721	309 531 6229	IC FA7701V-TE1			
IC7801	309 458 3414	IC M62393FP			
IC7802	309 301 5510	IC TC7S08FU(TE85L)			
IC7821	309 461 7822	IC PQ20WZ11			
IC7841	309 461 7822	IC PQ20WZ11			
IC7861	309 461 7822	IC PQ20WZ11			
IC7881	309 461 7822	IC PQ20WZ11			
IC7921	309 461 7822	IC PQ20WZ11			
IC8001	409 698 5510	IC SII9127ACTU			
<b>For PLC-XM150L/PLC-XM150</b>					
IC801	410 695 6001	IC M29W640FT70N6EKA8AL			
<b>For PLC-XM100L/PLC-XM100</b>					
IC801	410 701 6803	IC M29W640FT70N6EKZ5AL			
IC8071	309 673 9819	IC PQ070XNA1ZPH			
IC8081	310 595 8009	IC PQ1LAX95MSPQ			
IC8091	409 699 6615	IC BD7820FP			
IC843	310 596 0002	IC 74LVC1G125GW,125			
IC8801	410 698 9108	IC PIC18F67J60-I/PT-KA8AL			
IC8802	410 656 8600	IC 24AA64T-I/MS			
IC8803	410 681 5506	IC LE25FU106BMA-TLM-H			
IC8881	309 246 9710	IC LA6358NM-TE-L-E			
<b>CAPACITOR</b>					
C001	303 381 9918	ELECT 470U M	16V		
	303 407 3517	ELECT 470U M	16V		
C002	303 381 9918	ELECT 470U M	16V		
	303 407 3517	ELECT 470U M	16V		
C003	303 336 3510	CERAMIC 0.47U K	16V		
C004	303 396 9613	CERAMIC 1U K	25V		
	303 397 7618	CERAMIC 1U K	25V		
		403 478 5912	CERAMIC 1U K	25V	
C005	303 396 9613	CERAMIC 1U K	25V		
		303 397 7618	CERAMIC 1U K	25V	
		403 478 5912	CERAMIC 1U K	25V	
C006	303 396 9613	CERAMIC 1U K	25V		
		303 397 7618	CERAMIC 1U K	25V	
		403 478 5912	CERAMIC 1U K	25V	
C007	303 336 3510	CERAMIC 0.47U K	16V		
C008	303 396 9613	CERAMIC 1U K	25V		
		303 397 7618	CERAMIC 1U K	25V	
		403 478 5912	CERAMIC 1U K	25V	
C010	303 281 2415	CERAMIC 0.22U K	16V		
		303 364 5913	CERAMIC 0.22U K	16V	
C011	403 455 1616	CERAMIC 10U K	16V		
		403 478 5813	CERAMIC 10U K	16V	
C012	303 336 3510	CERAMIC 0.47U K	16V		
C013	303 396 9613	CERAMIC 1U K	25V		
		303 397 7618	CERAMIC 1U K	25V	
		403 478 5912	CERAMIC 1U K	25V	
C014	303 396 9613	CERAMIC 1U K	25V		
		303 397 7618	CERAMIC 1U K	25V	
		403 478 5912	CERAMIC 1U K	25V	
C015	303 281 2415	CERAMIC 0.22U K	16V		
		303 364 5913	CERAMIC 0.22U K	16V	
C039	303 454 0613	CERAMIC 0.01U K	50V		
		303 441 9810	CERAMIC 0.01U K	50V	
C041	303 454 0613	CERAMIC 0.01U K	50V		
		303 441 9810	CERAMIC 0.01U K	50V	
C1001	403 467 0911	CERAMIC 0.1U K	25V		
C1002	403 467 0911	CERAMIC 0.1U K	25V		
C1003	303 381 5316	ELECT 100U M	16V		
		303 369 3211	ELECT 100U M	16V	
		403 458 7615	ELECT 100U M	16V	
C1004	303 453 8917	CERAMIC 0.1U K	16V		
		303 453 8610	CERAMIC 0.1U K	16V	
		303 409 3426	CERAMIC 0.1U K	16V	
C1005	303 396 9613	CERAMIC 1U K	25V		
		303 397 7618	CERAMIC 1U K	25V	
		403 478 5912	CERAMIC 1U K	25V	
C1006	303 398 4111	ELECT 47U M	16V		
		303 387 6515	ELECT 47U M	16V	
C1007	403 467 0911	CERAMIC 0.1U K	25V		
C1019	303 396 9514	CERAMIC 2.2U K	10V		
		303 382 7814	CERAMIC 2.2U K	10V	
C1021	303 453 8917	CERAMIC 0.1U K	16V		
		303 453 8610	CERAMIC 0.1U K	16V	
		303 409 3426	CERAMIC 0.1U K	16V	
C1022	403 455 1012	CERAMIC 1U K	10V		
		303 433 1112	CERAMIC 1U K	10V	
C1023	303 398 4111	ELECT 47U M	16V		
		303 387 6515	ELECT 47U M	16V	
C1031	303 396 9514	CERAMIC 2.2U K	10V		
		303 382 7814	CERAMIC 2.2U K	10V	
C1032	303 396 9514	CERAMIC 2.2U K	10V		
		303 382 7814	CERAMIC 2.2U K	10V	
C1033	303 396 9514	CERAMIC 2.2U K	10V		
		303 382 7814	CERAMIC 2.2U K	10V	
C1034	303 398 3916	ELECT 33U M	16V		
		303 194 5312	ELECT 33U M	16V	
C1038	303 396 9514	CERAMIC 2.2U K	10V		
		303 382 7814	CERAMIC 2.2U K	10V	
C1039	303 396 9514	CERAMIC 2.2U K	10V		
		303 382 7814	CERAMIC 2.2U K	10V	
C1040	303 396 9514	CERAMIC 2.2U K	10V		
		303 382 7814	CERAMIC 2.2U K	10V	
C1041	303 396 9514	CERAMIC 2.2U K	10V		
		303 382 7814	CERAMIC 2.2U K	10V	



### Electrical Parts List

Key No.	Part No.	Description	Key No.	Part No.	Description
	303 320 0419	CERAMIC 68P J 50V		303 453 8610	CERAMIC 0.1U K 16V
C1359	403 467 0911	CERAMIC 0.1U K 25V		303 409 3426	CERAMIC 0.1U K 16V
C1387	303 453 8917	CERAMIC 0.1U K 16V	C1853	303 453 8917	CERAMIC 0.1U K 16V
	303 453 8610	CERAMIC 0.1U K 16V		303 453 8610	CERAMIC 0.1U K 16V
	303 409 3426	CERAMIC 0.1U K 16V		303 409 3426	CERAMIC 0.1U K 16V
C1391	403 455 1012	CERAMIC 1U K 10V	C1880	403 455 1012	CERAMIC 1U K 10V
	303 433 1112	CERAMIC 1U K 10V		303 433 1112	CERAMIC 1U K 10V
C1392	403 455 1012	CERAMIC 1U K 10V	C1883	303 453 8917	CERAMIC 0.1U K 16V
	303 433 1112	CERAMIC 1U K 10V		303 453 8610	CERAMIC 0.1U K 16V
C1393	303 358 3215	CERAMIC 10U K 6.3V		303 409 3426	CERAMIC 0.1U K 16V
	303 370 0018	CERAMIC 10U K 6.3V	C1884	303 453 8917	CERAMIC 0.1U K 16V
	303 368 7319	CERAMIC 10U K 6.3V		303 453 8610	CERAMIC 0.1U K 16V
C1412	403 455 1012	CERAMIC 1U K 10V		303 409 3426	CERAMIC 0.1U K 16V
	303 433 1112	CERAMIC 1U K 10V	C201	303 453 8917	CERAMIC 0.1U K 16V
C1413	403 455 1012	CERAMIC 1U K 10V		303 453 8610	CERAMIC 0.1U K 16V
	303 433 1112	CERAMIC 1U K 10V		303 409 3426	CERAMIC 0.1U K 16V
C1414	403 455 1012	CERAMIC 1U K 10V	C202	303 401 3414	ELECT 330U M 16V
	303 433 1112	CERAMIC 1U K 10V		303 423 7810	ELECT 330U M 16V
C1440	403 455 1012	CERAMIC 1U K 10V	C203	303 453 8917	CERAMIC 0.1U K 16V
	303 433 1112	CERAMIC 1U K 10V		303 453 8610	CERAMIC 0.1U K 16V
C1441	303 358 3215	CERAMIC 10U K 6.3V		303 409 3426	CERAMIC 0.1U K 16V
	303 370 0018	CERAMIC 10U K 6.3V	C2041	403 467 0911	CERAMIC 0.1U K 25V
	303 368 7319	CERAMIC 10U K 6.3V	C205	403 467 0911	CERAMIC 0.1U K 25V
C1442	403 455 1012	CERAMIC 1U K 10V	C206	303 358 3215	CERAMIC 10U K 6.3V
	303 433 1112	CERAMIC 1U K 10V		303 370 0018	CERAMIC 10U K 6.3V
C1443	303 358 3215	CERAMIC 10U K 6.3V		303 368 7319	CERAMIC 10U K 6.3V
	303 370 0018	CERAMIC 10U K 6.3V	C207	403 467 0911	CERAMIC 0.1U K 25V
	303 368 7319	CERAMIC 10U K 6.3V	C208	303 358 3215	CERAMIC 10U K 6.3V
C1452	403 455 1012	CERAMIC 1U K 10V		303 370 0018	CERAMIC 10U K 6.3V
	303 433 1112	CERAMIC 1U K 10V		303 368 7319	CERAMIC 10U K 6.3V
C1453	303 358 3215	CERAMIC 10U K 6.3V	C209	303 401 3414	ELECT 330U M 16V
	303 370 0018	CERAMIC 10U K 6.3V		303 423 7810	ELECT 330U M 16V
	303 368 7319	CERAMIC 10U K 6.3V	C2201	303 453 8917	CERAMIC 0.1U K 16V
C1454	303 454 0613	CERAMIC 0.01U K 50V		303 453 8610	CERAMIC 0.1U K 16V
	303 441 9810	CERAMIC 0.01U K 50V		303 409 3426	CERAMIC 0.1U K 16V
C1464	303 453 8917	CERAMIC 0.1U K 16V	C2202	303 453 8917	CERAMIC 0.1U K 16V
	303 453 8610	CERAMIC 0.1U K 16V		303 453 8610	CERAMIC 0.1U K 16V
	303 409 3426	CERAMIC 0.1U K 16V		303 409 3426	CERAMIC 0.1U K 16V
C1467	303 401 2219	ELECT 100U M 6.3V	C2203	303 453 8917	CERAMIC 0.1U K 16V
	303 424 0315	ELECT 100U M 6.3V		303 453 8610	CERAMIC 0.1U K 16V
	403 458 7219	ELECT 100U M 6.3V		303 409 3426	CERAMIC 0.1U K 16V
C1469	303 453 8917	CERAMIC 0.1U K 16V	C2204	303 453 8917	CERAMIC 0.1U K 16V
	303 453 8610	CERAMIC 0.1U K 16V		303 453 8610	CERAMIC 0.1U K 16V
	303 409 3426	CERAMIC 0.1U K 16V		303 409 3426	CERAMIC 0.1U K 16V
C1470	403 455 1012	CERAMIC 1U K 10V	C2206	303 453 8917	CERAMIC 0.1U K 16V
	303 433 1112	CERAMIC 1U K 10V		303 453 8610	CERAMIC 0.1U K 16V
C1471	403 455 1012	CERAMIC 1U K 10V		303 409 3426	CERAMIC 0.1U K 16V
	303 433 1112	CERAMIC 1U K 10V	C2207	303 453 8917	CERAMIC 0.1U K 16V
C1472	303 453 8917	CERAMIC 0.1U K 16V		303 453 8610	CERAMIC 0.1U K 16V
	303 453 8610	CERAMIC 0.1U K 16V		303 409 3426	CERAMIC 0.1U K 16V
	303 409 3426	CERAMIC 0.1U K 16V	C2208	303 453 8917	CERAMIC 0.1U K 16V
C1473	303 358 3215	CERAMIC 10U K 6.3V		303 453 8610	CERAMIC 0.1U K 16V
	303 370 0018	CERAMIC 10U K 6.3V		303 409 3426	CERAMIC 0.1U K 16V
	303 368 7319	CERAMIC 10U K 6.3V	C2209	303 453 8917	CERAMIC 0.1U K 16V
C1474	303 453 8917	CERAMIC 0.1U K 16V		303 453 8610	CERAMIC 0.1U K 16V
	303 453 8610	CERAMIC 0.1U K 16V		303 409 3426	CERAMIC 0.1U K 16V
	303 409 3426	CERAMIC 0.1U K 16V	C2211	303 453 8917	CERAMIC 0.1U K 16V
C1476	303 453 8917	CERAMIC 0.1U K 16V		303 453 8610	CERAMIC 0.1U K 16V
	303 453 8610	CERAMIC 0.1U K 16V		303 409 3426	CERAMIC 0.1U K 16V
	303 409 3426	CERAMIC 0.1U K 16V	C2212	303 453 8917	CERAMIC 0.1U K 16V
C1806	303 453 8917	CERAMIC 0.1U K 16V		303 453 8610	CERAMIC 0.1U K 16V
	303 453 8610	CERAMIC 0.1U K 16V		303 409 3426	CERAMIC 0.1U K 16V
	303 409 3426	CERAMIC 0.1U K 16V	C2213	303 453 8917	CERAMIC 0.1U K 16V
C1813	303 453 8917	CERAMIC 0.1U K 16V		303 453 8610	CERAMIC 0.1U K 16V
	303 453 8610	CERAMIC 0.1U K 16V		303 409 3426	CERAMIC 0.1U K 16V
	303 409 3426	CERAMIC 0.1U K 16V	C2214	303 454 0613	CERAMIC 0.01U K 50V
C1851	303 453 8917	CERAMIC 0.1U K 16V		303 441 9810	CERAMIC 0.01U K 50V

Electrical Parts List

Key No. Part No. Description					Key No. Part No. Description				
C2216	303 454 0613	CERAMIC	0.01U K	50V	303 453 8610	CERAMIC	0.1U K	16V	
	303 441 9810	CERAMIC	0.01U K	50V	303 409 3426	CERAMIC	0.1U K	16V	
C2217	303 454 0613	CERAMIC	0.01U K	50V	C2258	303 450 7012	CERAMIC	47U K	
	303 441 9810	CERAMIC	0.01U K	50V	C2301	403 455 1012	CERAMIC	1U K	
C2218	303 454 0613	CERAMIC	0.01U K	50V		303 433 1112	CERAMIC	1U K	
	303 441 9810	CERAMIC	0.01U K	50V	C2302	403 455 1012	CERAMIC	1U K	
C2219	303 453 8917	CERAMIC	0.1U K	16V		303 433 1112	CERAMIC	1U K	
	303 453 8610	CERAMIC	0.1U K	16V	C2303	403 455 1012	CERAMIC	1U K	
	303 409 3426	CERAMIC	0.1U K	16V		303 433 1112	CERAMIC	1U K	
C2221	303 453 8917	CERAMIC	0.1U K	16V	C2304	303 276 1911	CERAMIC	22P J	
	303 453 8610	CERAMIC	0.1U K	16V	C2305	403 456 4616	CERAMIC	27P J	
	303 409 3426	CERAMIC	0.1U K	16V		303 309 2519	CERAMIC	27P J	
C2222	303 453 8917	CERAMIC	0.1U K	16V	C2306	303 453 8917	CERAMIC	0.1U K	
	303 453 8610	CERAMIC	0.1U K	16V		303 453 8610	CERAMIC	0.1U K	
	303 409 3426	CERAMIC	0.1U K	16V		303 409 3426	CERAMIC	0.1U K	
C2223	303 453 8917	CERAMIC	0.1U K	16V	C2307	303 453 8917	CERAMIC	0.1U K	
	303 453 8610	CERAMIC	0.1U K	16V		303 453 8610	CERAMIC	0.1U K	
	303 409 3426	CERAMIC	0.1U K	16V		303 409 3426	CERAMIC	0.1U K	
C2224	303 276 1911	CERAMIC	22P J	50V	C2308	303 453 8917	CERAMIC	0.1U K	
C2226	303 276 1911	CERAMIC	22P J	50V		303 453 8610	CERAMIC	0.1U K	
C2227	303 453 8917	CERAMIC	0.1U K	16V		303 409 3426	CERAMIC	0.1U K	
	303 453 8610	CERAMIC	0.1U K	16V	C2309	303 453 8917	CERAMIC	0.1U K	
	303 409 3426	CERAMIC	0.1U K	16V		303 453 8610	CERAMIC	0.1U K	
C2228	303 453 8917	CERAMIC	0.1U K	16V		303 409 3426	CERAMIC	0.1U K	
	303 453 8610	CERAMIC	0.1U K	16V	C2311	303 453 8917	CERAMIC	0.1U K	
	303 409 3426	CERAMIC	0.1U K	16V		303 453 8610	CERAMIC	0.1U K	
C2229	303 453 8917	CERAMIC	0.1U K	16V		303 409 3426	CERAMIC	0.1U K	
	303 453 8610	CERAMIC	0.1U K	16V	C2312	303 453 8917	CERAMIC	0.1U K	
	303 409 3426	CERAMIC	0.1U K	16V		303 453 8610	CERAMIC	0.1U K	
C2231	303 358 3215	CERAMIC	10U K	6.3V		303 409 3426	CERAMIC	0.1U K	
	303 370 0018	CERAMIC	10U K	6.3V	C2313	303 453 8917	CERAMIC	0.1U K	
	303 368 7319	CERAMIC	10U K	6.3V		303 453 8610	CERAMIC	0.1U K	
C2232	303 453 8917	CERAMIC	0.1U K	16V		303 409 3426	CERAMIC	0.1U K	
	303 453 8610	CERAMIC	0.1U K	16V	C2314	303 453 8917	CERAMIC	0.1U K	
	303 409 3426	CERAMIC	0.1U K	16V		303 453 8610	CERAMIC	0.1U K	
C2233	303 453 8917	CERAMIC	0.1U K	16V		303 409 3426	CERAMIC	0.1U K	
	303 453 8610	CERAMIC	0.1U K	16V	C2315	303 453 8917	CERAMIC	0.1U K	
	303 409 3426	CERAMIC	0.1U K	16V		303 453 8610	CERAMIC	0.1U K	
C2234	303 453 8917	CERAMIC	0.1U K	16V		303 409 3426	CERAMIC	0.1U K	
	303 453 8610	CERAMIC	0.1U K	16V	C2316	303 453 8917	CERAMIC	0.1U K	
	303 409 3426	CERAMIC	0.1U K	16V		303 453 8610	CERAMIC	0.1U K	
C2236	303 453 8917	CERAMIC	0.1U K	16V		303 409 3426	CERAMIC	0.1U K	
	303 453 8610	CERAMIC	0.1U K	16V	C2318	303 453 8917	CERAMIC	0.1U K	
	303 409 3426	CERAMIC	0.1U K	16V		303 453 8610	CERAMIC	0.1U K	
C2237	303 453 8917	CERAMIC	0.1U K	16V		303 409 3426	CERAMIC	0.1U K	
	303 453 8610	CERAMIC	0.1U K	16V	C2319	303 453 8917	CERAMIC	0.1U K	
	303 409 3426	CERAMIC	0.1U K	16V		303 453 8610	CERAMIC	0.1U K	
C2238	303 453 8917	CERAMIC	0.1U K	16V		303 409 3426	CERAMIC	0.1U K	
	303 453 8610	CERAMIC	0.1U K	16V	C2321	303 453 8917	CERAMIC	0.1U K	
	303 409 3426	CERAMIC	0.1U K	16V		303 453 8610	CERAMIC	0.1U K	
C2239	303 453 8917	CERAMIC	0.1U K	16V		303 409 3426	CERAMIC	0.1U K	
	303 453 8610	CERAMIC	0.1U K	16V	C2322	303 453 8917	CERAMIC	0.1U K	
	303 409 3426	CERAMIC	0.1U K	16V		303 453 8610	CERAMIC	0.1U K	
C2241	303 453 8917	CERAMIC	0.1U K	16V		303 409 3426	CERAMIC	0.1U K	
	303 453 8610	CERAMIC	0.1U K	16V	C2323	303 453 8917	CERAMIC	0.1U K	
	303 409 3426	CERAMIC	0.1U K	16V		303 453 8610	CERAMIC	0.1U K	
C2243	303 453 8917	CERAMIC	0.1U K	16V		303 409 3426	CERAMIC	0.1U K	
	303 453 8610	CERAMIC	0.1U K	16V	C2324	303 453 8917	CERAMIC	0.1U K	
	303 409 3426	CERAMIC	0.1U K	16V		303 453 8610	CERAMIC	0.1U K	
C2244	303 358 3215	CERAMIC	10U K	6.3V		303 409 3426	CERAMIC	0.1U K	
	303 368 7319	CERAMIC	10U K	6.3V	C2325	303 453 8917	CERAMIC	0.1U K	
C2245	303 358 3215	CERAMIC	10U K	6.3V		303 453 8610	CERAMIC	0.1U K	
	303 368 7319	CERAMIC	10U K	6.3V		303 409 3426	CERAMIC	0.1U K	
C2253	303 401 2219	ELECT	100U M	6.3V	C2326	303 453 8917	CERAMIC	0.1U K	
	303 424 0315	ELECT	100U M	6.3V		303 453 8610	CERAMIC	0.1U K	
	403 458 7219	ELECT	100U M	6.3V		303 409 3426	CERAMIC	0.1U K	
C2257	303 453 8917	CERAMIC	0.1U K	16V	C2327	303 453 8917	CERAMIC	0.1U K	



## Electrical Parts List

Key No.	Part No.	Description	Key No.	Part No.	Description
	303 453 8610	CERAMIC 0.1U K 16V	C2802	303 453 8917	CERAMIC 0.1U K 16V
	303 409 3426	CERAMIC 0.1U K 16V		303 453 8610	CERAMIC 0.1U K 16V
C2387	403 455 1012	CERAMIC 1U K 10V		303 409 3426	CERAMIC 0.1U K 16V
	303 433 1112	CERAMIC 1U K 10V	C2804	303 453 8917	CERAMIC 0.1U K 16V
C2388	303 358 3215	CERAMIC 10U K 6.3V		303 453 8610	CERAMIC 0.1U K 16V
	303 370 0018	CERAMIC 10U K 6.3V		303 409 3426	CERAMIC 0.1U K 16V
	303 368 7319	CERAMIC 10U K 6.3V	C2821	403 455 1012	CERAMIC 1U K 10V
C2389	303 324 6417	CERAMIC 0.022U K 16V		303 433 1112	CERAMIC 1U K 10V
C2501	303 397 6611	ELECT 10U M 25V	C2822	303 398 4111	ELECT 47U M 16V
	303 387 6812	ELECT 10U M 25V		303 387 6515	ELECT 47U M 16V
C2502	403 467 0911	CERAMIC 0.1U K 25V	C2823	303 157 4215	CERAMIC 220P J 50V
C2521	403 467 0911	CERAMIC 0.1U K 25V		303 235 1013	CERAMIC 220P J 50V
C2531	303 397 6611	ELECT 10U M 25V	C301	303 453 8917	CERAMIC 0.1U K 16V
	303 387 6812	ELECT 10U M 25V		303 453 8610	CERAMIC 0.1U K 16V
C2532	403 467 0911	CERAMIC 0.1U K 25V		303 409 3426	CERAMIC 0.1U K 16V
C2556	303 396 9613	CERAMIC 1U K 25V	C302	303 453 8917	CERAMIC 0.1U K 16V
	303 397 7618	CERAMIC 1U K 25V		303 453 8610	CERAMIC 0.1U K 16V
	403 478 5912	CERAMIC 1U K 25V		303 409 3426	CERAMIC 0.1U K 16V
C2557	303 396 9613	CERAMIC 1U K 25V	C303	403 455 1012	CERAMIC 1U K 10V
	303 397 7618	CERAMIC 1U K 25V		303 433 1112	CERAMIC 1U K 10V
	403 478 5912	CERAMIC 1U K 25V	C304	303 453 8917	CERAMIC 0.1U K 16V
C2558	303 396 9613	CERAMIC 1U K 25V		303 453 8610	CERAMIC 0.1U K 16V
	303 397 7618	CERAMIC 1U K 25V		303 409 3426	CERAMIC 0.1U K 16V
	403 478 5912	CERAMIC 1U K 25V	C305	403 455 1012	CERAMIC 1U K 10V
C2559	303 398 4111	ELECT 47U M 16V		303 433 1112	CERAMIC 1U K 10V
	303 387 6515	ELECT 47U M 16V	C306	303 453 8917	CERAMIC 0.1U K 16V
C2561	303 397 6611	ELECT 10U M 25V		303 453 8610	CERAMIC 0.1U K 16V
	303 387 6812	ELECT 10U M 25V		303 409 3426	CERAMIC 0.1U K 16V
C2562	403 467 0911	CERAMIC 0.1U K 25V	C307	403 455 1012	CERAMIC 1U K 10V
C2581	403 467 0911	CERAMIC 0.1U K 25V		303 433 1112	CERAMIC 1U K 10V
C2582	303 376 3112	ELECT 100U M 25V	C308	303 453 8917	CERAMIC 0.1U K 16V
	303 374 7815	ELECT 100UM 25V		303 453 8610	CERAMIC 0.1U K 16V
	303 444 0111	ELECT 100U M 25V		303 409 3426	CERAMIC 0.1U K 16V
C2583	403 467 0911	CERAMIC 0.1U K 25V	C309	303 453 8917	CERAMIC 0.1U K 16V
C2584	303 376 3112	ELECT 100U M 25V		303 453 8610	CERAMIC 0.1U K 16V
	303 374 7815	ELECT 100UM 25V		303 409 3426	CERAMIC 0.1U K 16V
	303 444 0111	ELECT 100U M 25V	C311	303 453 8917	CERAMIC 0.1U K 16V
C2586	403 467 0911	CERAMIC 0.1U K 25V		303 453 8610	CERAMIC 0.1U K 16V
C2587	303 396 9613	CERAMIC 1U K 25V		303 409 3426	CERAMIC 0.1U K 16V
	303 397 7618	CERAMIC 1U K 25V	C312	303 453 8917	CERAMIC 0.1U K 16V
	403 478 5912	CERAMIC 1U K 25V		303 453 8610	CERAMIC 0.1U K 16V
C2588	303 396 9613	CERAMIC 1U K 25V		303 409 3426	CERAMIC 0.1U K 16V
	303 397 7618	CERAMIC 1U K 25V	C313	303 453 8917	CERAMIC 0.1U K 16V
	403 478 5912	CERAMIC 1U K 25V		303 453 8610	CERAMIC 0.1U K 16V
C2589	303 396 9613	CERAMIC 1U K 25V		303 409 3426	CERAMIC 0.1U K 16V
	303 397 7618	CERAMIC 1U K 25V	C318	303 453 8917	CERAMIC 0.1U K 16V
	403 478 5912	CERAMIC 1U K 25V		303 453 8610	CERAMIC 0.1U K 16V
C2591	303 398 4111	ELECT 47U M 16V		303 409 3426	CERAMIC 0.1U K 16V
	303 387 6515	ELECT 47U M 16V	C321	303 453 8917	CERAMIC 0.1U K 16V
C2593	303 396 9613	CERAMIC 1U K 25V		303 453 8610	CERAMIC 0.1U K 16V
	303 397 7618	CERAMIC 1U K 25V		303 409 3426	CERAMIC 0.1U K 16V
	403 478 5912	CERAMIC 1U K 25V	C322	303 453 8917	CERAMIC 0.1U K 16V
C2594	403 467 0911	CERAMIC 0.1U K 25V		303 453 8610	CERAMIC 0.1U K 16V
C2596	303 396 9613	CERAMIC 1U K 25V		303 409 3426	CERAMIC 0.1U K 16V
	303 397 7618	CERAMIC 1U K 25V	C323	303 453 8917	CERAMIC 0.1U K 16V
	403 478 5912	CERAMIC 1U K 25V		303 453 8610	CERAMIC 0.1U K 16V
C2597	303 396 9613	CERAMIC 1U K 25V		303 409 3426	CERAMIC 0.1U K 16V
	303 397 7618	CERAMIC 1U K 25V	C325	403 455 1012	CERAMIC 1U K 10V
	403 478 5912	CERAMIC 1U K 25V		303 433 1112	CERAMIC 1U K 10V
C2598	303 398 4111	ELECT 47U M 16V	C327	403 455 1012	CERAMIC 1U K 10V
	303 387 6515	ELECT 47U M 16V		303 433 1112	CERAMIC 1U K 10V
C261	303 453 8917	CERAMIC 0.1U K 16V	C328	403 455 1012	CERAMIC 1U K 10V
	303 453 8610	CERAMIC 0.1U K 16V		303 433 1112	CERAMIC 1U K 10V
	303 409 3426	CERAMIC 0.1U K 16V	C331	303 453 8917	CERAMIC 0.1U K 16V
C2801	303 453 8917	CERAMIC 0.1U K 16V		303 453 8610	CERAMIC 0.1U K 16V
	303 453 8610	CERAMIC 0.1U K 16V		303 409 3426	CERAMIC 0.1U K 16V
	303 409 3426	CERAMIC 0.1U K 16V	C332	303 453 8917	CERAMIC 0.1U K 16V

## Electrical Parts List

Key No.	Part No.	Description	Key No.	Part No.	Description
	303 453 8610	CERAMIC		303 433 1112	CERAMIC
	303 409 3426	CERAMIC		303 453 8917	CERAMIC
C333	303 453 8917	CERAMIC	C363	303 453 8610	CERAMIC
	303 453 8610	CERAMIC		303 409 3426	CERAMIC
	303 409 3426	CERAMIC	C364	403 455 1012	CERAMIC
C334	303 453 8917	CERAMIC		303 433 1112	CERAMIC
	303 453 8610	CERAMIC	C366	303 453 8917	CERAMIC
	303 409 3426	CERAMIC		303 453 8610	CERAMIC
C336	303 453 8917	CERAMIC		303 409 3426	CERAMIC
	303 453 8610	CERAMIC	C367	403 455 1012	CERAMIC
	303 409 3426	CERAMIC		303 433 1112	CERAMIC
C337	303 453 8917	CERAMIC	C368	303 453 8917	CERAMIC
	303 453 8610	CERAMIC		303 453 8610	CERAMIC
	303 409 3426	CERAMIC		303 409 3426	CERAMIC
C338	303 453 8917	CERAMIC	C369	403 455 1012	CERAMIC
	303 453 8610	CERAMIC		303 433 1112	CERAMIC
	303 409 3426	CERAMIC	C371	303 453 8917	CERAMIC
C339	303 453 8917	CERAMIC		303 453 8610	CERAMIC
	303 453 8610	CERAMIC		303 409 3426	CERAMIC
	303 409 3426	CERAMIC	C372	303 453 8917	CERAMIC
C341	303 453 8917	CERAMIC		303 453 8610	CERAMIC
	303 453 8610	CERAMIC		303 409 3426	CERAMIC
	303 409 3426	CERAMIC	C373	403 455 1012	CERAMIC
C342	303 453 8917	CERAMIC		303 433 1112	CERAMIC
	303 453 8610	CERAMIC	C374	303 453 8917	CERAMIC
	303 409 3426	CERAMIC		303 453 8610	CERAMIC
C343	403 455 1012	CERAMIC		303 409 3426	CERAMIC
	303 433 1112	CERAMIC	C375	303 453 8917	CERAMIC
C344	403 455 1012	CERAMIC		303 453 8610	CERAMIC
	303 433 1112	CERAMIC		303 409 3426	CERAMIC
C346	303 453 8917	CERAMIC	C376	303 453 8917	CERAMIC
	303 453 8610	CERAMIC		303 453 8610	CERAMIC
	303 409 3426	CERAMIC		303 409 3426	CERAMIC
C347	303 453 8917	CERAMIC	C377	403 455 1012	CERAMIC
	303 453 8610	CERAMIC		303 433 1112	CERAMIC
	303 409 3426	CERAMIC	C378	303 453 8917	CERAMIC
C348	303 453 8917	CERAMIC		303 453 8610	CERAMIC
	303 453 8610	CERAMIC		303 409 3426	CERAMIC
	303 409 3426	CERAMIC	C379	303 453 8917	CERAMIC
C349	303 453 8917	CERAMIC		303 453 8610	CERAMIC
	303 453 8610	CERAMIC		303 409 3426	CERAMIC
	303 409 3426	CERAMIC	C380	303 453 8917	CERAMIC
C351	303 453 8917	CERAMIC		303 453 8610	CERAMIC
	303 453 8610	CERAMIC		303 409 3426	CERAMIC
	303 409 3426	CERAMIC	C3801	403 455 1012	CERAMIC
C352	303 453 8917	CERAMIC		303 433 1112	CERAMIC
	303 453 8610	CERAMIC	C3802	403 455 1012	CERAMIC
	303 409 3426	CERAMIC		303 433 1112	CERAMIC
C353	303 453 8917	CERAMIC	C3803	403 455 1012	CERAMIC
	303 453 8610	CERAMIC		303 433 1112	CERAMIC
	303 409 3426	CERAMIC	C3804	403 455 1012	CERAMIC
C356	303 453 8917	CERAMIC		303 433 1112	CERAMIC
	303 453 8610	CERAMIC	C3806	403 455 1012	CERAMIC
	303 409 3426	CERAMIC		303 433 1112	CERAMIC
C357	303 453 8917	CERAMIC	C381	403 455 1012	CERAMIC
	303 453 8610	CERAMIC		303 433 1112	CERAMIC
	303 409 3426	CERAMIC	C382	303 453 8917	CERAMIC
C358	303 453 8917	CERAMIC		303 453 8610	CERAMIC
	303 453 8610	CERAMIC		303 409 3426	CERAMIC
	303 409 3426	CERAMIC	C383	303 453 8917	CERAMIC
C359	303 453 8917	CERAMIC		303 453 8610	CERAMIC
	303 453 8610	CERAMIC		303 409 3426	CERAMIC
	303 409 3426	CERAMIC	C384	303 453 8917	CERAMIC
C361	303 453 8917	CERAMIC		303 453 8610	CERAMIC
	303 453 8610	CERAMIC		303 409 3426	CERAMIC
	303 409 3426	CERAMIC	C385	303 453 8917	CERAMIC
C362	403 455 1012	CERAMIC		303 453 8610	CERAMIC

## Electrical Parts List

Key No.	Part No.	Description	Key No.	Part No.	Description
C3857	303 409 3426	CERAMIC 0.1U K 16V	C412	403 455 1012	CERAMIC 1U K 10V
	303 453 8917	CERAMIC 0.1U K 16V		303 433 1112	CERAMIC 1U K 10V
	303 453 8610	CERAMIC 0.1U K 16V	C413	303 401 2219	ELECT 100U M 6.3V
	303 409 3426	CERAMIC 0.1U K 16V		303 424 0315	ELECT 100U M 6.3V
C3858	303 358 3215	CERAMIC 10U K 6.3V		403 458 7219	ELECT 100U M 6.3V
	303 370 0018	CERAMIC 10U K 6.3V	C414	403 455 1012	CERAMIC 1U K 10V
	303 368 7319	CERAMIC 10U K 6.3V		303 433 1112	CERAMIC 1U K 10V
C3859	303 453 8917	CERAMIC 0.1U K 16V	C416	403 455 1012	CERAMIC 1U K 10V
	303 453 8610	CERAMIC 0.1U K 16V		303 433 1112	CERAMIC 1U K 10V
	303 409 3426	CERAMIC 0.1U K 16V	C417	403 455 1012	CERAMIC 1U K 10V
C386	403 455 1012	CERAMIC 1U K 10V		303 433 1112	CERAMIC 1U K 10V
	303 433 1112	CERAMIC 1U K 10V	C418	403 455 1012	CERAMIC 1U K 10V
C3860	303 453 8917	CERAMIC 0.1U K 16V		303 433 1112	CERAMIC 1U K 10V
	303 453 8610	CERAMIC 0.1U K 16V	C419	403 455 1012	CERAMIC 1U K 10V
	303 409 3426	CERAMIC 0.1U K 16V		303 433 1112	CERAMIC 1U K 10V
C3861	303 453 8917	CERAMIC 0.1U K 16V	C421	303 397 6611	ELECT 10U M 25V
	303 453 8610	CERAMIC 0.1U K 16V		303 387 6812	ELECT 10U M 25V
	303 409 3426	CERAMIC 0.1U K 16V	C422	403 455 1012	CERAMIC 1U K 10V
C387	303 453 8917	CERAMIC 0.1U K 16V		303 433 1112	CERAMIC 1U K 10V
	303 453 8610	CERAMIC 0.1U K 16V	C423	403 455 1012	CERAMIC 1U K 10V
	303 409 3426	CERAMIC 0.1U K 16V		303 433 1112	CERAMIC 1U K 10V
C388	303 453 8917	CERAMIC 0.1U K 16V	C424	403 455 1012	CERAMIC 1U K 10V
	303 453 8610	CERAMIC 0.1U K 16V		303 433 1112	CERAMIC 1U K 10V
	303 409 3426	CERAMIC 0.1U K 16V	C426	403 455 1012	CERAMIC 1U K 10V
C389	303 453 8917	CERAMIC 0.1U K 16V		303 433 1112	CERAMIC 1U K 10V
	303 453 8610	CERAMIC 0.1U K 16V	C427	403 455 1012	CERAMIC 1U K 10V
	303 409 3426	CERAMIC 0.1U K 16V		303 433 1112	CERAMIC 1U K 10V
C391	303 453 8917	CERAMIC 0.1U K 16V	C428	303 397 6611	ELECT 10U M 25V
	303 453 8610	CERAMIC 0.1U K 16V		303 387 6812	ELECT 10U M 25V
	303 409 3426	CERAMIC 0.1U K 16V	C429	403 455 1012	CERAMIC 1U K 10V
C392	303 453 8917	CERAMIC 0.1U K 16V		303 433 1112	CERAMIC 1U K 10V
	303 453 8610	CERAMIC 0.1U K 16V	C431	303 397 6611	ELECT 10U M 25V
	303 409 3426	CERAMIC 0.1U K 16V		303 387 6812	ELECT 10U M 25V
C393	303 453 8917	CERAMIC 0.1U K 16V	C432	403 455 1012	CERAMIC 1U K 10V
	303 453 8610	CERAMIC 0.1U K 16V		303 433 1112	CERAMIC 1U K 10V
	303 409 3426	CERAMIC 0.1U K 16V	C433	403 455 1012	CERAMIC 1U K 10V
C394	403 455 1012	CERAMIC 1U K 10V		303 433 1112	CERAMIC 1U K 10V
	303 433 1112	CERAMIC 1U K 10V	C434	403 455 1012	CERAMIC 1U K 10V
C395	303 453 8917	CERAMIC 0.1U K 16V		303 433 1112	CERAMIC 1U K 10V
	303 453 8610	CERAMIC 0.1U K 16V	C436	403 455 1012	CERAMIC 1U K 10V
	303 409 3426	CERAMIC 0.1U K 16V		303 433 1112	CERAMIC 1U K 10V
C396	303 453 8917	CERAMIC 0.1U K 16V	C437	303 397 6611	ELECT 10U M 25V
	303 453 8610	CERAMIC 0.1U K 16V		303 387 6812	ELECT 10U M 25V
	303 409 3426	CERAMIC 0.1U K 16V	C438	403 455 1012	CERAMIC 1U K 10V
C397	303 453 8917	CERAMIC 0.1U K 16V		303 433 1112	CERAMIC 1U K 10V
	303 453 8610	CERAMIC 0.1U K 16V	C439	403 455 1012	CERAMIC 1U K 10V
	303 409 3426	CERAMIC 0.1U K 16V		303 433 1112	CERAMIC 1U K 10V
C398	303 453 8917	CERAMIC 0.1U K 16V	C441	403 455 1012	CERAMIC 1U K 10V
	303 453 8610	CERAMIC 0.1U K 16V		303 433 1112	CERAMIC 1U K 10V
	303 409 3426	CERAMIC 0.1U K 16V	C442	403 455 1012	CERAMIC 1U K 10V
C399	303 453 8917	CERAMIC 0.1U K 16V		303 433 1112	CERAMIC 1U K 10V
	303 453 8610	CERAMIC 0.1U K 16V	C443	403 455 1012	CERAMIC 1U K 10V
	303 409 3426	CERAMIC 0.1U K 16V		303 433 1112	CERAMIC 1U K 10V
C4011	403 467 0911	CERAMIC 0.1U K 25V	C444	303 397 6611	ELECT 10U M 25V
C4012	403 467 0911	CERAMIC 0.1U K 25V		303 387 6812	ELECT 10U M 25V
C404	403 455 1012	CERAMIC 1U K 10V	C446	403 455 1012	CERAMIC 1U K 10V
	303 433 1112	CERAMIC 1U K 10V		303 433 1112	CERAMIC 1U K 10V
C406	403 455 1012	CERAMIC 1U K 10V	C447	403 455 1012	CERAMIC 1U K 10V
	303 433 1112	CERAMIC 1U K 10V		303 433 1112	CERAMIC 1U K 10V
C407	403 455 1012	CERAMIC 1U K 10V	C448	403 455 1012	CERAMIC 1U K 10V
	303 433 1112	CERAMIC 1U K 10V		303 433 1112	CERAMIC 1U K 10V
C408	403 455 1012	CERAMIC 1U K 10V	C449	303 397 6611	ELECT 10U M 25V
	303 433 1112	CERAMIC 1U K 10V		303 387 6812	ELECT 10U M 25V
C409	403 455 1012	CERAMIC 1U K 10V	C451	403 455 1012	CERAMIC 1U K 10V
	303 433 1112	CERAMIC 1U K 10V		303 433 1112	CERAMIC 1U K 10V
C411	403 455 1012	CERAMIC 1U K 10V	C452	403 455 1012	CERAMIC 1U K 10V
	303 433 1112	CERAMIC 1U K 10V		303 433 1112	CERAMIC 1U K 10V



Electrical Parts List

Key No.	Part No.	Description	Key No.	Part No.	Description
C453	403 455 1012	CERAMIC 1U K 10V		303 453 8610	CERAMIC 0.1U K 16V
	303 433 1112	CERAMIC 1U K 10V		303 409 3426	CERAMIC 0.1U K 16V
C454	403 455 1012	CERAMIC 1U K 10V	C4822	303 453 8917	CERAMIC 0.1U K 16V
	303 433 1112	CERAMIC 1U K 10V		303 453 8610	CERAMIC 0.1U K 16V
C456	303 401 2219	ELECT 100U M 6.3V		303 409 3426	CERAMIC 0.1U K 16V
	303 424 0315	ELECT 100U M 6.3V	C4823	303 453 8917	CERAMIC 0.1U K 16V
	403 458 7219	ELECT 100U M 6.3V		303 453 8610	CERAMIC 0.1U K 16V
C457	403 455 1012	CERAMIC 1U K 10V		303 409 3426	CERAMIC 0.1U K 16V
	303 433 1112	CERAMIC 1U K 10V	C4824	303 453 8917	CERAMIC 0.1U K 16V
C458	403 455 1012	CERAMIC 1U K 10V		303 453 8610	CERAMIC 0.1U K 16V
	303 433 1112	CERAMIC 1U K 10V		303 409 3426	CERAMIC 0.1U K 16V
C459	403 455 1012	CERAMIC 1U K 10V	C4825	303 358 3215	CERAMIC 10U K 6.3V
	303 433 1112	CERAMIC 1U K 10V		303 370 0018	CERAMIC 10U K 6.3V
C461	403 455 1012	CERAMIC 1U K 10V		303 368 7319	CERAMIC 10U K 6.3V
	303 433 1112	CERAMIC 1U K 10V	C4826	303 453 8917	CERAMIC 0.1U K 16V
C462	403 455 1012	CERAMIC 1U K 10V		303 453 8610	CERAMIC 0.1U K 16V
	303 433 1112	CERAMIC 1U K 10V		303 409 3426	CERAMIC 0.1U K 16V
C463	403 455 1012	CERAMIC 1U K 10V	C4827	303 453 8917	CERAMIC 0.1U K 16V
	303 433 1112	CERAMIC 1U K 10V		303 453 8610	CERAMIC 0.1U K 16V
C464	403 455 1012	CERAMIC 1U K 10V		303 409 3426	CERAMIC 0.1U K 16V
	303 433 1112	CERAMIC 1U K 10V	C4828	303 453 8917	CERAMIC 0.1U K 16V
C466	403 455 1012	CERAMIC 1U K 10V		303 453 8610	CERAMIC 0.1U K 16V
	303 433 1112	CERAMIC 1U K 10V		303 409 3426	CERAMIC 0.1U K 16V
C467	403 455 1012	CERAMIC 1U K 10V	C4829	303 453 8917	CERAMIC 0.1U K 16V
	303 433 1112	CERAMIC 1U K 10V		303 453 8610	CERAMIC 0.1U K 16V
C468	403 455 1012	CERAMIC 1U K 10V		303 409 3426	CERAMIC 0.1U K 16V
	303 433 1112	CERAMIC 1U K 10V	C4831	303 453 8917	CERAMIC 0.1U K 16V
C469	403 455 1012	CERAMIC 1U K 10V		303 453 8610	CERAMIC 0.1U K 16V
	303 433 1112	CERAMIC 1U K 10V		303 409 3426	CERAMIC 0.1U K 16V
C471	303 397 6611	ELECT 10U M 25V	C4832	303 381 5316	ELECT 100U M 16V
	303 387 6812	ELECT 10U M 25V		303 369 3211	ELECT 100U M 16V
C4711	303 453 8917	CERAMIC 0.1U K 16V		403 458 7615	ELECT 100U M 16V
	303 453 8610	CERAMIC 0.1U K 16V	C4834	303 453 8917	CERAMIC 0.1U K 16V
	303 409 3426	CERAMIC 0.1U K 16V		303 453 8610	CERAMIC 0.1U K 16V
C472	403 455 1012	CERAMIC 1U K 10V		303 409 3426	CERAMIC 0.1U K 16V
	303 433 1112	CERAMIC 1U K 10V	C501	303 398 4111	ELECT 47U M 16V
C473	403 455 1012	CERAMIC 1U K 10V		303 387 6515	ELECT 47U M 16V
	303 433 1112	CERAMIC 1U K 10V	C502	403 455 1012	CERAMIC 1U K 10V
C474	303 401 2219	ELECT 100U M 6.3V		303 433 1112	CERAMIC 1U K 10V
	303 424 0315	ELECT 100U M 6.3V	C503	303 396 9613	CERAMIC 1U K 25V
	403 458 7219	ELECT 100U M 6.3V		303 397 7618	CERAMIC 1U K 25V
C476	403 455 1012	CERAMIC 1U K 10V		403 478 5912	CERAMIC 1U K 25V
	303 433 1112	CERAMIC 1U K 10V	C5037	303 372 7510	CERAMIC 2.2U K 6.3V
C477	403 455 1012	CERAMIC 1U K 10V		303 370 0216	CERAMIC 2.2U K 6.3V
	303 433 1112	CERAMIC 1U K 10V	C5038	403 455 1012	CERAMIC 1U K 10V
C478	403 455 1012	CERAMIC 1U K 10V		303 433 1112	CERAMIC 1U K 10V
	303 433 1112	CERAMIC 1U K 10V	C5039	303 454 0613	CERAMIC 0.01U K 50V
C479	303 397 6611	ELECT 10U M 25V		303 441 9810	CERAMIC 0.01U K 50V
	303 387 6812	ELECT 10U M 25V	C504	303 396 9613	CERAMIC 1U K 25V
C4801	303 381 5316	ELECT 100U M 16V		303 397 7618	CERAMIC 1U K 25V
	303 369 3211	ELECT 100U M 16V		403 478 5912	CERAMIC 1U K 25V
	403 458 7615	ELECT 100U M 16V	C5041	303 454 0613	CERAMIC 0.01U K 50V
C4802	303 314 5314	CERAMIC 5P C 50V		303 441 9810	CERAMIC 0.01U K 50V
C4803	303 314 5314	CERAMIC 5P C 50V	C505	403 455 1012	CERAMIC 1U K 10V
C4808	303 453 8917	CERAMIC 0.1U K 16V		303 433 1112	CERAMIC 1U K 10V
	303 453 8610	CERAMIC 0.1U K 16V	C506	303 376 3112	ELECT 100U M 25V
	303 409 3426	CERAMIC 0.1U K 16V		303 374 7815	ELECT 100U M 25V
C4809	303 453 8917	CERAMIC 0.1U K 16V		303 444 0111	ELECT 100U M 25V
	303 453 8610	CERAMIC 0.1U K 16V	C507	303 396 9613	CERAMIC 1U K 25V
	303 409 3426	CERAMIC 0.1U K 16V		303 397 7618	CERAMIC 1U K 25V
C4811	303 453 8917	CERAMIC 0.1U K 16V		403 478 5912	CERAMIC 1U K 25V
	303 453 8610	CERAMIC 0.1U K 16V	C508	303 396 9613	CERAMIC 1U K 25V
	303 409 3426	CERAMIC 0.1U K 16V		303 397 7618	CERAMIC 1U K 25V
C4812	303 453 8917	CERAMIC 0.1U K 16V		403 478 5912	CERAMIC 1U K 25V
	303 453 8610	CERAMIC 0.1U K 16V	C509	303 396 9613	CERAMIC 1U K 25V
	303 409 3426	CERAMIC 0.1U K 16V		303 397 7618	CERAMIC 1U K 25V
C4821	303 453 8917	CERAMIC 0.1U K 16V		403 478 5912	CERAMIC 1U K 25V

**Electrical Parts List**

Key No. Part No. Description			Key No. Part No. Description		
C511	303 396 9613	CERAMIC 1U K 25V	C5222	303 453 8917	CERAMIC 0.1U K 16V
	303 397 7618	CERAMIC 1U K 25V		303 453 8610	CERAMIC 0.1U K 16V
	403 478 5912	CERAMIC 1U K 25V		303 409 3426	CERAMIC 0.1U K 16V
C512	303 453 8719	CERAMIC 470P K 50V	C5223	403 455 1012	CERAMIC 1U K 10V
	303 453 9211	CERAMIC 470P K 50V		303 433 1112	CERAMIC 1U K 10V
	303 282 5118	CERAMIC 470P K 50V	C5224	303 453 8511	CERAMIC 1000P K 50V
C513	303 396 9613	CERAMIC 1U K 25V		303 454 1214	CERAMIC 1000P K 50V
	303 397 7618	CERAMIC 1U K 25V		303 276 1317	CERAMIC 1000P K 50V
	403 478 5912	CERAMIC 1U K 25V	C5225	303 453 8917	CERAMIC 0.1U K 16V
C514	303 376 3112	ELECT 100U M 25V		303 453 8610	CERAMIC 0.1U K 16V
	303 374 7815	ELECT 100UM 25V		303 409 3426	CERAMIC 0.1U K 16V
	303 444 0111	ELECT 100U M 25V	C5226	303 453 8917	CERAMIC 0.1U K 16V
C516	303 396 9613	CERAMIC 1U K 25V		303 453 8610	CERAMIC 0.1U K 16V
	303 397 7618	CERAMIC 1U K 25V		303 409 3426	CERAMIC 0.1U K 16V
	403 478 5912	CERAMIC 1U K 25V	C5227	303 401 2219	ELECT 100U M 6.3V
C517	303 396 9613	CERAMIC 1U K 25V		303 424 0315	ELECT 100U M 6.3V
	303 397 7618	CERAMIC 1U K 25V		403 458 7219	ELECT 100U M 6.3V
	403 478 5912	CERAMIC 1U K 25V	C5228	303 453 8917	CERAMIC 0.1U K 16V
C518	403 455 1012	CERAMIC 1U K 10V		303 453 8610	CERAMIC 0.1U K 16V
	303 433 1112	CERAMIC 1U K 10V		303 409 3426	CERAMIC 0.1U K 16V
C5202	303 453 8917	CERAMIC 0.1U K 16V	C5229	303 453 8917	CERAMIC 0.1U K 16V
	303 453 8610	CERAMIC 0.1U K 16V		303 453 8610	CERAMIC 0.1U K 16V
	303 409 3426	CERAMIC 0.1U K 16V		303 409 3426	CERAMIC 0.1U K 16V
C5203	303 381 5613	ELECT 220U M 16V	C5230	303 453 8917	CERAMIC 0.1U K 16V
	303 423 8916	ELECT 220U M 16V		303 453 8610	CERAMIC 0.1U K 16V
	403 458 4812	ELECT 220U M 16V		303 409 3426	CERAMIC 0.1U K 16V
C5204	303 453 8917	CERAMIC 0.1U K 16V	C5231	303 453 8917	CERAMIC 0.1U K 16V
	303 453 8610	CERAMIC 0.1U K 16V		303 453 8610	CERAMIC 0.1U K 16V
	303 409 3426	CERAMIC 0.1U K 16V		303 409 3426	CERAMIC 0.1U K 16V
C5205	303 381 5613	ELECT 220U M 16V	C5232	303 453 8917	CERAMIC 0.1U K 16V
	303 423 8916	ELECT 220U M 16V		303 453 8610	CERAMIC 0.1U K 16V
	403 458 4812	ELECT 220U M 16V		303 409 3426	CERAMIC 0.1U K 16V
C5207	303 381 5613	ELECT 220U M 16V	C5233	303 453 8917	CERAMIC 0.1U K 16V
	303 423 8916	ELECT 220U M 16V		303 453 8610	CERAMIC 0.1U K 16V
	403 458 4812	ELECT 220U M 16V		303 409 3426	CERAMIC 0.1U K 16V
C5208	303 453 8917	CERAMIC 0.1U K 16V	C5234	303 453 8917	CERAMIC 0.1U K 16V
	303 453 8610	CERAMIC 0.1U K 16V		303 453 8610	CERAMIC 0.1U K 16V
	303 409 3426	CERAMIC 0.1U K 16V		303 409 3426	CERAMIC 0.1U K 16V
C5209	303 381 5613	ELECT 220U M 16V	C5235	303 453 8917	CERAMIC 0.1U K 16V
	303 423 8916	ELECT 220U M 16V		303 453 8610	CERAMIC 0.1U K 16V
	403 458 4812	ELECT 220U M 16V		303 409 3426	CERAMIC 0.1U K 16V
C5210	303 453 8917	CERAMIC 0.1U K 16V	C5236	303 453 8917	CERAMIC 0.1U K 16V
	303 453 8610	CERAMIC 0.1U K 16V		303 453 8610	CERAMIC 0.1U K 16V
	303 409 3426	CERAMIC 0.1U K 16V		303 409 3426	CERAMIC 0.1U K 16V
C5212	303 401 2219	ELECT 100U M 6.3V	C5237	303 453 8917	CERAMIC 0.1U K 16V
	303 424 0315	ELECT 100U M 6.3V		303 453 8610	CERAMIC 0.1U K 16V
	403 458 7219	ELECT 100U M 6.3V		303 409 3426	CERAMIC 0.1U K 16V
C5214	403 455 1012	CERAMIC 1U K 10V	C5238	303 453 8917	CERAMIC 0.1U K 16V
	303 433 1112	CERAMIC 1U K 10V		303 453 8610	CERAMIC 0.1U K 16V
C5215	303 453 8917	CERAMIC 0.1U K 16V		303 409 3426	CERAMIC 0.1U K 16V
	303 453 8610	CERAMIC 0.1U K 16V	C5239	303 453 8917	CERAMIC 0.1U K 16V
	303 409 3426	CERAMIC 0.1U K 16V		303 453 8610	CERAMIC 0.1U K 16V
C5217	303 453 8917	CERAMIC 0.1U K 16V		303 409 3426	CERAMIC 0.1U K 16V
	303 453 8610	CERAMIC 0.1U K 16V	C5240	303 453 8917	CERAMIC 0.1U K 16V
	303 409 3426	CERAMIC 0.1U K 16V		303 453 8610	CERAMIC 0.1U K 16V
C5218	303 453 8917	CERAMIC 0.1U K 16V		303 409 3426	CERAMIC 0.1U K 16V
	303 453 8610	CERAMIC 0.1U K 16V	C5241	303 453 8917	CERAMIC 0.1U K 16V
	303 409 3426	CERAMIC 0.1U K 16V		303 453 8610	CERAMIC 0.1U K 16V
C5219	303 453 8917	CERAMIC 0.1U K 16V		303 409 3426	CERAMIC 0.1U K 16V
	303 453 8610	CERAMIC 0.1U K 16V	C5242	303 453 8917	CERAMIC 0.1U K 16V
	303 409 3426	CERAMIC 0.1U K 16V		303 453 8610	CERAMIC 0.1U K 16V
C5220	303 453 8917	CERAMIC 0.1U K 16V		303 409 3426	CERAMIC 0.1U K 16V
	303 453 8610	CERAMIC 0.1U K 16V	C5243	303 453 8917	CERAMIC 0.1U K 16V
	303 409 3426	CERAMIC 0.1U K 16V		303 453 8610	CERAMIC 0.1U K 16V
C5221	303 453 8917	CERAMIC 0.1U K 16V		303 409 3426	CERAMIC 0.1U K 16V
	303 453 8610	CERAMIC 0.1U K 16V	C5244	303 453 8917	CERAMIC 0.1U K 16V
	303 409 3426	CERAMIC 0.1U K 16V		303 453 8610	CERAMIC 0.1U K 16V

**Electrical Parts List**

Key No.	Part No.	Description	Key No.	Part No.	Description
C5245	303 409 3426	CERAMIC 0.1U K 16V	C5293	403 455 1012	CERAMIC 1U K 10V
	303 453 8917	CERAMIC 0.1U K 16V		303 433 1112	CERAMIC 1U K 10V
	303 453 8610	CERAMIC 0.1U K 16V	C5294	303 381 5316	ELECT 100U M 16V
C5246	303 409 3426	CERAMIC 0.1U K 16V		303 369 3211	ELECT 100U M 16V
	303 453 8917	CERAMIC 0.1U K 16V		403 458 7615	ELECT 100U M 16V
	303 453 8610	CERAMIC 0.1U K 16V	C531	303 398 4111	ELECT 47U M 16V
	303 409 3426	CERAMIC 0.1U K 16V		303 387 6515	ELECT 47U M 16V
C5247	303 453 8917	CERAMIC 0.1U K 16V	C532	403 455 1012	CERAMIC 1U K 10V
	303 453 8610	CERAMIC 0.1U K 16V		303 433 1112	CERAMIC 1U K 10V
C5248	303 409 3426	CERAMIC 0.1U K 16V	C533	303 396 9613	CERAMIC 1U K 25V
	303 453 8917	CERAMIC 0.1U K 16V		303 397 7618	CERAMIC 1U K 25V
	303 453 8610	CERAMIC 0.1U K 16V		403 478 5912	CERAMIC 1U K 25V
C5249	303 409 3426	CERAMIC 0.1U K 16V	C5333	303 336 3510	CERAMIC 0.47U K 16V
	303 453 8917	CERAMIC 0.1U K 16V	C534	303 396 9613	CERAMIC 1U K 25V
	303 453 8610	CERAMIC 0.1U K 16V		303 397 7618	CERAMIC 1U K 25V
C5252	303 409 3426	CERAMIC 0.1U K 16V		403 478 5912	CERAMIC 1U K 25V
	303 453 8917	CERAMIC 0.1U K 16V	C535	403 455 1012	CERAMIC 1U K 10V
	303 453 8610	CERAMIC 0.1U K 16V		303 433 1112	CERAMIC 1U K 10V
C5254	303 409 3426	CERAMIC 0.1U K 16V	C536	303 376 3112	ELECT 100U M 25V
	303 381 5613	ELECT 220U M 16V		303 374 7815	ELECT 100UM 25V
	303 423 8916	ELECT 220U M 16V		303 444 0111	ELECT 100U M 25V
C5255	403 458 4812	ELECT 220U M 16V	C537	303 396 9613	CERAMIC 1U K 25V
	303 453 8917	CERAMIC 0.1U K 16V		303 397 7618	CERAMIC 1U K 25V
	303 453 8610	CERAMIC 0.1U K 16V		403 478 5912	CERAMIC 1U K 25V
	303 409 3426	CERAMIC 0.1U K 16V	C538	303 396 9613	CERAMIC 1U K 25V
C5271	303 401 2219	ELECT 100U M 6.3V		303 397 7618	CERAMIC 1U K 25V
	303 424 0315	ELECT 100U M 6.3V		403 478 5912	CERAMIC 1U K 25V
	403 458 7219	ELECT 100U M 6.3V	C539	303 396 9613	CERAMIC 1U K 25V
C5272	303 401 2219	ELECT 100U M 6.3V		303 397 7618	CERAMIC 1U K 25V
	303 424 0315	ELECT 100U M 6.3V		403 478 5912	CERAMIC 1U K 25V
	403 458 7219	ELECT 100U M 6.3V	C541	303 396 9613	CERAMIC 1U K 25V
C5273	303 381 5613	ELECT 220U M 16V		303 397 7618	CERAMIC 1U K 25V
	303 423 8916	ELECT 220U M 16V		403 478 5912	CERAMIC 1U K 25V
	403 458 4812	ELECT 220U M 16V	C542	303 453 8719	CERAMIC 470P K 50V
C5274	303 381 5613	ELECT 220U M 16V		303 453 9211	CERAMIC 470P K 50V
	303 423 8916	ELECT 220U M 16V		303 282 5118	CERAMIC 470P K 50V
	403 458 4812	ELECT 220U M 16V	C543	303 396 9613	CERAMIC 1U K 25V
C5275	303 381 5613	ELECT 220U M 16V		303 397 7618	CERAMIC 1U K 25V
	303 423 8916	ELECT 220U M 16V		403 478 5912	CERAMIC 1U K 25V
	403 458 4812	ELECT 220U M 16V	C544	303 376 3112	ELECT 100U M 25V
C5276	303 453 8917	CERAMIC 0.1U K 16V		303 374 7815	ELECT 100UM 25V
	303 453 8610	CERAMIC 0.1U K 16V		303 444 0111	ELECT 100U M 25V
	303 409 3426	CERAMIC 0.1U K 16V	C546	303 396 9613	CERAMIC 1U K 25V
C5277	303 453 8511	CERAMIC 1000P K 50V		303 397 7618	CERAMIC 1U K 25V
	303 454 1214	CERAMIC 1000P K 50V		403 478 5912	CERAMIC 1U K 25V
	303 276 1317	CERAMIC 1000P K 50V	C547	303 396 9613	CERAMIC 1U K 25V
C5278	403 455 1012	CERAMIC 1U K 10V		303 397 7618	CERAMIC 1U K 25V
	303 433 1112	CERAMIC 1U K 10V		403 478 5912	CERAMIC 1U K 25V
	403 455 1012	CERAMIC 1U K 10V	C548	403 455 1012	CERAMIC 1U K 10V
C5279	303 433 1112	CERAMIC 1U K 10V		303 433 1112	CERAMIC 1U K 10V
	303 453 8917	CERAMIC 0.1U K 16V	C5501	303 453 8917	CERAMIC 0.1U K 16V
	303 453 8610	CERAMIC 0.1U K 16V		303 453 8610	CERAMIC 0.1U K 16V
C5282	303 409 3426	CERAMIC 0.1U K 16V		303 409 3426	CERAMIC 0.1U K 16V
	303 453 8917	CERAMIC 0.1U K 16V	C5502	303 454 0613	CERAMIC 0.01U K 50V
	303 453 8610	CERAMIC 0.1U K 16V		303 441 9810	CERAMIC 0.01U K 50V
C5283	303 409 3426	CERAMIC 0.1U K 16V	C5521	303 453 8917	CERAMIC 0.1U K 16V
	303 453 8917	CERAMIC 0.1U K 16V		303 453 8610	CERAMIC 0.1U K 16V
	303 453 8610	CERAMIC 0.1U K 16V		303 409 3426	CERAMIC 0.1U K 16V
C5284	303 409 3426	CERAMIC 0.1U K 16V	C5522	303 454 0613	CERAMIC 0.01U K 50V
	303 453 8917	CERAMIC 0.1U K 16V		303 441 9810	CERAMIC 0.01U K 50V
	303 453 8610	CERAMIC 0.1U K 16V	C5531	303 437 4614	CERAMIC 10U K 25V
C5291	303 409 3426	CERAMIC 0.1U K 16V	C5532	403 467 0911	CERAMIC 0.1U K 25V
	403 455 1012	CERAMIC 1U K 10V	C5534	303 398 4111	ELECT 47U M 16V
	303 433 1112	CERAMIC 1U K 10V		303 387 6515	ELECT 47U M 16V
C5292	303 358 3215	CERAMIC 10U K 6.3V	C5541	403 455 1616	CERAMIC 10U K 16V
	303 370 0018	CERAMIC 10U K 6.3V		403 478 5813	CERAMIC 10U K 16V
	303 368 7319	CERAMIC 10U K 6.3V	C5542	303 376 3112	ELECT 100U M 25V

Electrical Parts List

Key No.	Part No.	Description	Key No.	Part No.	Description
	303 374 7815	ELECT		303 409 3426	CERAMIC
	303 444 0111	ELECT		303 401 2219	ELECT
C5543	303 454 0613	CERAMIC	C5628	303 424 0315	ELECT
	303 441 9810	CERAMIC		403 458 7219	ELECT
C5544	303 376 3112	ELECT	C563	303 396 9613	CERAMIC
	303 374 7815	ELECT		303 397 7618	CERAMIC
	303 444 0111	ELECT		403 478 5912	CERAMIC
C5545	303 453 8917	CERAMIC	C5636	303 401 2219	ELECT
	303 453 8610	CERAMIC		303 424 0315	ELECT
	303 409 3426	CERAMIC		403 458 7219	ELECT
C5546	303 453 8917	CERAMIC	C5637	303 453 8917	CERAMIC
	303 453 8610	CERAMIC		303 453 8610	CERAMIC
	303 409 3426	CERAMIC		303 409 3426	CERAMIC
C5547	303 453 8917	CERAMIC	C564	303 396 9613	CERAMIC
	303 453 8610	CERAMIC		303 397 7618	CERAMIC
	303 409 3426	CERAMIC		403 478 5912	CERAMIC
C5548	303 453 8917	CERAMIC	C565	403 455 1012	CERAMIC
	303 453 8610	CERAMIC		303 433 1112	CERAMIC
	303 409 3426	CERAMIC	C566	303 376 3112	ELECT
C5549	303 453 8917	CERAMIC		303 374 7815	ELECT
	303 453 8610	CERAMIC		303 444 0111	ELECT
	303 409 3426	CERAMIC	C567	303 396 9613	CERAMIC
C5550	303 453 8917	CERAMIC		303 397 7618	CERAMIC
	303 453 8610	CERAMIC		403 478 5912	CERAMIC
	303 409 3426	CERAMIC	C568	303 396 9613	CERAMIC
C5551	303 453 8917	CERAMIC		303 397 7618	CERAMIC
	303 453 8610	CERAMIC		403 478 5912	CERAMIC
	303 409 3426	CERAMIC	C5683	303 358 3215	CERAMIC
C5552	303 453 8917	CERAMIC		303 370 0018	CERAMIC
	303 453 8610	CERAMIC		303 368 7319	CERAMIC
	303 409 3426	CERAMIC	C569	303 396 9613	CERAMIC
C5561	303 453 8917	CERAMIC		303 397 7618	CERAMIC
	303 453 8610	CERAMIC		403 478 5912	CERAMIC
	303 409 3426	CERAMIC	C571	303 396 9613	CERAMIC
C5562	303 454 0613	CERAMIC		303 397 7618	CERAMIC
	303 441 9810	CERAMIC		403 478 5912	CERAMIC
C5565	303 453 8917	CERAMIC	C572	303 453 8719	CERAMIC
	303 453 8610	CERAMIC		303 453 9211	CERAMIC
	303 409 3426	CERAMIC		303 282 5118	CERAMIC
C5567	403 455 1012	CERAMIC	C573	303 396 9613	CERAMIC
	303 433 1112	CERAMIC		303 397 7618	CERAMIC
C5601	303 453 8917	CERAMIC		403 478 5912	CERAMIC
	303 453 8610	CERAMIC	C574	303 376 3112	ELECT
	303 409 3426	CERAMIC		303 374 7815	ELECT
C5602	303 454 1917	CERAMIC		303 444 0111	ELECT
	303 379 7315	CERAMIC	C5752	303 396 9514	CERAMIC
C5603	303 453 8917	CERAMIC		303 382 7814	CERAMIC
	303 453 8610	CERAMIC	C576	303 396 9613	CERAMIC
	303 409 3426	CERAMIC		303 397 7618	CERAMIC
C5604	403 467 0911	CERAMIC		403 478 5912	CERAMIC
C5605	303 376 3112	ELECT	C577	303 396 9613	CERAMIC
	303 374 7815	ELECT		303 397 7618	CERAMIC
C5606	303 381 5613	ELECT		403 478 5912	CERAMIC
	303 423 8916	ELECT	C578	403 455 1012	CERAMIC
	403 458 4812	ELECT		303 433 1112	CERAMIC
C5607	303 453 8917	CERAMIC	C5782	303 453 8917	CERAMIC
	303 453 8610	CERAMIC		303 453 8610	CERAMIC
	303 409 3426	CERAMIC		303 409 3426	CERAMIC
C5608	403 455 5614	CERAMIC	C5801	303 453 8917	CERAMIC
	303 454 1016	CERAMIC		303 453 8610	CERAMIC
	303 306 6510	CERAMIC		303 409 3426	CERAMIC
C561	303 398 4111	ELECT	C5802	303 453 7217	CERAMIC
	303 387 6515	ELECT		303 454 1610	CERAMIC
C562	403 455 1012	CERAMIC		303 305 8812	CERAMIC
	303 433 1112	CERAMIC	C5803	303 453 7217	CERAMIC
C5627	303 453 8917	CERAMIC		303 454 1610	CERAMIC
	303 453 8610	CERAMIC		303 305 8812	CERAMIC

Electrical Parts List

Key No.	Part No.	Description	Key No.	Part No.	Description
C5808	303 453 8917	CERAMIC 0.1U K 16V	C5862	303 453 9518	CERAMIC 3300P K 50V
	303 453 8610	CERAMIC 0.1U K 16V		303 279 5114	CERAMIC 3300P K 50V
	303 409 3426	CERAMIC 0.1U K 16V	C5864	403 455 1616	CERAMIC 10U K 16V
C5809	303 453 8917	CERAMIC 0.1U K 16V		403 478 5813	CERAMIC 10U K 16V
	303 453 8610	CERAMIC 0.1U K 16V	C5866	303 381 5316	ELECT 100U M 16V
	303 409 3426	CERAMIC 0.1U K 16V		303 369 3211	ELECT 100U M 16V
C5821	303 454 0613	CERAMIC 0.01U K 50V		403 458 7615	ELECT 100U M 16V
	303 441 9810	CERAMIC 0.01U K 50V	C5867	303 392 5015	CERAMIC 22U M 6.3V
C5822	303 157 7018	CERAMIC 1800P K 50V		303 443 9214	CERAMIC 22U M 6.3V
C5823	303 454 0613	CERAMIC 0.01U K 50V	C5868	303 381 5613	ELECT 220U M 16V
	303 441 9810	CERAMIC 0.01U K 50V		303 423 8916	ELECT 220U M 16V
C5824	403 455 1616	CERAMIC 10U K 16V		403 458 4812	ELECT 220U M 16V
	403 478 5813	CERAMIC 10U K 16V	C5881	303 401 2219	ELECT 100U M 6.3V
C5825	303 381 5316	ELECT 100U M 16V		303 424 0315	ELECT 100U M 6.3V
	303 369 3211	ELECT 100U M 16V		403 458 7219	ELECT 100U M 6.3V
C5826	303 454 0613	CERAMIC 0.01U K 50V	C5882	303 453 8917	CERAMIC 0.1U K 16V
	303 441 9810	CERAMIC 0.01U K 50V		303 453 8610	CERAMIC 0.1U K 16V
C5827	303 392 5015	CERAMIC 22U M 6.3V		303 409 3426	CERAMIC 0.1U K 16V
	303 443 9214	CERAMIC 22U M 6.3V	C5883	303 453 8917	CERAMIC 0.1U K 16V
C5828	403 462 2910	EP-ELECT 330U M 4V		303 453 8610	CERAMIC 0.1U K 16V
C5831	403 455 1012	CERAMIC 1U K 10V		303 409 3426	CERAMIC 0.1U K 16V
	303 433 1112	CERAMIC 1U K 10V	C5884	303 453 8917	CERAMIC 0.1U K 16V
C5841	303 453 8917	CERAMIC 0.1U K 16V		303 453 8610	CERAMIC 0.1U K 16V
	303 453 8610	CERAMIC 0.1U K 16V		303 409 3426	CERAMIC 0.1U K 16V
	303 409 3426	CERAMIC 0.1U K 16V	C5885	303 398 4111	ELECT 47U M 16V
C5842	303 424 7017	CERAMIC 0.047U K 25V		303 387 6515	ELECT 47U M 16V
C5843	303 157 7216	CERAMIC 3900P K 50V	C5886	303 453 8917	CERAMIC 0.1U K 16V
	303 235 5615	CERAMIC 3900P K 50V		303 453 8610	CERAMIC 0.1U K 16V
C5844	403 455 1616	CERAMIC 10U K 16V		303 409 3426	CERAMIC 0.1U K 16V
	403 478 5813	CERAMIC 10U K 16V	C5887	303 453 8917	CERAMIC 0.1U K 16V
C5845	303 381 5316	ELECT 100U M 16V		303 453 8610	CERAMIC 0.1U K 16V
	303 369 3211	ELECT 100U M 16V		303 409 3426	CERAMIC 0.1U K 16V
	403 458 7615	ELECT 100U M 16V	C5888	303 453 8917	CERAMIC 0.1U K 16V
C5846	303 157 7216	CERAMIC 3900P K 50V		303 453 8610	CERAMIC 0.1U K 16V
	303 235 5615	CERAMIC 3900P K 50V		303 409 3426	CERAMIC 0.1U K 16V
C5847	303 392 5015	CERAMIC 22U M 6.3V	C5889	303 401 2219	ELECT 100U M 6.3V
	303 443 9214	CERAMIC 22U M 6.3V		303 424 0315	ELECT 100U M 6.3V
C5848	303 381 5613	ELECT 220U M 16V		403 458 7219	ELECT 100U M 6.3V
	303 423 8916	ELECT 220U M 16V	C5890	303 453 8917	CERAMIC 0.1U K 16V
	403 458 4812	ELECT 220U M 16V		303 453 8610	CERAMIC 0.1U K 16V
C5849	303 453 8917	CERAMIC 0.1U K 16V		303 409 3426	CERAMIC 0.1U K 16V
	303 453 8610	CERAMIC 0.1U K 16V	C5891	303 401 2219	ELECT 100U M 6.3V
	303 409 3426	CERAMIC 0.1U K 16V		303 424 0315	ELECT 100U M 6.3V
C5851	303 453 8917	CERAMIC 0.1U K 16V		403 458 7219	ELECT 100U M 6.3V
	303 453 8610	CERAMIC 0.1U K 16V	C596	303 376 3211	ELECT 220U M 25V
	303 409 3426	CERAMIC 0.1U K 16V		303 395 5814	ELECT 220U M 25V
C5853	403 455 1012	CERAMIC 1U K 10V	C597	403 467 0911	CERAMIC 0.1U K 25V
	303 433 1112	CERAMIC 1U K 10V	C598	303 376 3112	ELECT 100U M 25V
C5854	303 381 5613	ELECT 220U M 16V		303 374 7815	ELECT 100U M 25V
	303 423 8916	ELECT 220U M 16V		303 444 0111	ELECT 100U M 25V
	403 458 4812	ELECT 220U M 16V	C599	403 467 0911	CERAMIC 0.1U K 25V
C5855	303 453 8917	CERAMIC 0.1U K 16V	C6501	303 453 8917	CERAMIC 0.1U K 16V
	303 453 8610	CERAMIC 0.1U K 16V		303 453 8610	CERAMIC 0.1U K 16V
	303 409 3426	CERAMIC 0.1U K 16V		303 409 3426	CERAMIC 0.1U K 16V
C5856	303 453 8917	CERAMIC 0.1U K 16V	C6502	303 454 0613	CERAMIC 0.01U K 50V
	303 453 8610	CERAMIC 0.1U K 16V		303 441 9810	CERAMIC 0.01U K 50V
	303 409 3426	CERAMIC 0.1U K 16V	C6505	303 396 9613	CERAMIC 1U K 25V
C5857	303 453 8917	CERAMIC 0.1U K 16V		303 397 7618	CERAMIC 1U K 25V
	303 453 8610	CERAMIC 0.1U K 16V		403 478 5912	CERAMIC 1U K 25V
	303 409 3426	CERAMIC 0.1U K 16V	C6521	403 467 0911	CERAMIC 0.1U K 25V
C5858	303 398 4111	ELECT 47U M 16V	C6522	303 454 0613	CERAMIC 0.01U K 50V
	303 387 6515	ELECT 47U M 16V		303 441 9810	CERAMIC 0.01U K 50V
C5860	303 453 8917	CERAMIC 0.1U K 16V	C6541	303 453 8917	CERAMIC 0.1U K 16V
	303 453 8610	CERAMIC 0.1U K 16V		303 453 8610	CERAMIC 0.1U K 16V
	303 409 3426	CERAMIC 0.1U K 16V		303 409 3426	CERAMIC 0.1U K 16V
C5861	303 454 0415	CERAMIC 0.068U K 16V	C6551	303 453 8917	CERAMIC 0.1U K 16V
	303 442 0519	CERAMIC 0.068U K 16V		303 453 8610	CERAMIC 0.1U K 16V

## Electrical Parts List

Key No.	Part No.	Description	Key No.	Part No.	Description
	303 409 3426	CERAMIC 0.1U K 16V	C6697	303 397 8714	NP-ELECT 22U M 16V
C6613	403 467 0911	CERAMIC 0.1U K 25V	C6698	303 453 8917	CERAMIC 0.1U K 16V
C6614	303 381 5613	ELECT 220U M 16V		303 453 8610	CERAMIC 0.1U K 16V
	303 423 8916	ELECT 220U M 16V		303 409 3426	CERAMIC 0.1U K 16V
	403 458 4812	ELECT 220U M 16V	C6699	303 453 8917	CERAMIC 0.1U K 16V
C6621	303 392 5015	CERAMIC 22U M 6.3V		303 453 8610	CERAMIC 0.1U K 16V
	303 443 9214	CERAMIC 22U M 6.3V		303 409 3426	CERAMIC 0.1U K 16V
C6622	303 381 5613	ELECT 220U M 16V	C7609	303 453 8917	CERAMIC 0.1U K 16V
	303 423 8916	ELECT 220U M 16V		303 453 8610	CERAMIC 0.1U K 16V
	403 458 4812	ELECT 220U M 16V		303 409 3426	CERAMIC 0.1U K 16V
C6631	303 376 3112	ELECT 100U M 25V	C7701	303 396 9613	CERAMIC 1U K 25V
	303 374 7815	ELECT 100UM 25V		303 397 7618	CERAMIC 1U K 25V
	303 444 0111	ELECT 100U M 25V		403 478 5912	CERAMIC 1U K 25V
C6632	403 455 1616	CERAMIC 10U K 16V	C7703	403 467 0911	CERAMIC 0.1U K 25V
	403 478 5813	CERAMIC 10U K 16V	C7704	403 467 0911	CERAMIC 0.1U K 25V
C6633	303 376 3112	ELECT 100U M 25V	C7706	403 467 0911	CERAMIC 0.1U K 25V
	303 374 7815	ELECT 100UM 25V	C7707	303 381 5613	ELECT 220U M 16V
	303 444 0111	ELECT 100U M 25V		303 423 8916	ELECT 220U M 16V
C6634	403 467 0911	CERAMIC 0.1U K 25V		403 458 4812	ELECT 220U M 16V
C6652	303 453 8917	CERAMIC 0.1U K 16V	C7709	303 336 3510	CERAMIC 0.47U K 16V
	303 453 8610	CERAMIC 0.1U K 16V	C7711	403 455 1012	CERAMIC 1U K 10V
	303 409 3426	CERAMIC 0.1U K 16V		303 433 1112	CERAMIC 1U K 10V
C6660	403 455 1012	CERAMIC 1U K 10V	C7712	303 453 8917	CERAMIC 0.1U K 16V
	303 433 1112	CERAMIC 1U K 10V		303 453 8610	CERAMIC 0.1U K 16V
C6661	303 453 8917	CERAMIC 0.1U K 16V		303 409 3426	CERAMIC 0.1U K 16V
	303 409 3426	CERAMIC 0.1U K 16V	C7713	303 381 9918	ELECT 470U M 16V
C6663	303 453 8917	CERAMIC 0.1U K 16V		303 407 3517	ELECT 470U M 16V
	303 409 3426	CERAMIC 0.1U K 16V	C7714	403 455 1012	CERAMIC 1U K 10V
C6664	303 401 2219	ELECT 100U M 6.3V		303 433 1112	CERAMIC 1U K 10V
	303 424 0315	ELECT 100U M 6.3V	C7716	303 358 3215	CERAMIC 10U K 6.3V
	403 458 7219	ELECT 100U M 6.3V		303 370 0018	CERAMIC 10U K 6.3V
C6666	303 453 8917	CERAMIC 0.1U K 16V		303 368 7319	CERAMIC 10U K 6.3V
	303 453 8610	CERAMIC 0.1U K 16V	C7721	303 396 9613	CERAMIC 1U K 25V
	303 409 3426	CERAMIC 0.1U K 16V		303 397 7618	CERAMIC 1U K 25V
C6667	403 455 1616	CERAMIC 10U K 16V		403 478 5912	CERAMIC 1U K 25V
	403 478 5813	CERAMIC 10U K 16V	C7723	403 467 0911	CERAMIC 0.1U K 25V
C6668	303 381 5316	ELECT 100U M 16V	C7724	403 467 0911	CERAMIC 0.1U K 25V
	303 369 3211	ELECT 100U M 16V	C7725	303 437 4614	CERAMIC 10U K 25V
	403 458 7615	ELECT 100U M 16V	C7726	403 467 0911	CERAMIC 0.1U K 25V
C6670	303 453 8917	CERAMIC 0.1U K 16V	C7727	303 381 5613	ELECT 220U M 16V
	303 453 8610	CERAMIC 0.1U K 16V		303 423 8916	ELECT 220U M 16V
	303 409 3426	CERAMIC 0.1U K 16V		403 458 4812	ELECT 220U M 16V
C6681	303 450 2215	CERAMIC 0.22U K 25V	C7728	303 336 3510	CERAMIC 0.47U K 16V
C6682	403 467 0911	CERAMIC 0.1U K 25V	C7729	303 336 3510	CERAMIC 0.47U K 16V
C6684	303 454 1917	CERAMIC 4700P K 50V	C7730	303 437 4614	CERAMIC 10U K 25V
	303 379 7315	CERAMIC 4700P K 50V	C7731	403 455 1012	CERAMIC 1U K 10V
C6686	403 467 0911	CERAMIC 0.1U K 25V		303 433 1112	CERAMIC 1U K 10V
C6687	303 381 5613	ELECT 220U M 16V	C7732	303 453 8917	CERAMIC 0.1U K 16V
	303 423 8916	ELECT 220U M 16V		303 453 8610	CERAMIC 0.1U K 16V
	403 458 4812	ELECT 220U M 16V		303 409 3426	CERAMIC 0.1U K 16V
C6688	303 381 5613	ELECT 220U M 16V	C7733	303 381 9918	ELECT 470U M 16V
	303 423 8916	ELECT 220U M 16V		303 407 3517	ELECT 470U M 16V
	403 458 4812	ELECT 220U M 16V	C7734	403 455 1012	CERAMIC 1U K 10V
C6691	303 393 0019	ELECT 470U M 25V		303 433 1112	CERAMIC 1U K 10V
	303 420 1415	ELECT 470U M 25V	C7736	303 358 3215	CERAMIC 10U K 6.3V
	403 458 4614	ELECT 470U M 25V		303 370 0018	CERAMIC 10U K 6.3V
C6692	303 453 8917	CERAMIC 0.1U K 16V		303 368 7319	CERAMIC 10U K 6.3V
	303 453 8610	CERAMIC 0.1U K 16V	C7741	403 455 1012	CERAMIC 1U K 10V
	303 409 3426	CERAMIC 0.1U K 16V		303 433 1112	CERAMIC 1U K 10V
C6693	403 467 0911	CERAMIC 0.1U K 25V	C7742	303 453 8917	CERAMIC 0.1U K 16V
C6694	303 453 8917	CERAMIC 0.1U K 16V		303 453 8610	CERAMIC 0.1U K 16V
	303 453 8610	CERAMIC 0.1U K 16V		303 409 3426	CERAMIC 0.1U K 16V
	303 409 3426	CERAMIC 0.1U K 16V	C7743	303 381 9918	ELECT 470U M 16V
C6695	303 381 5613	ELECT 220U M 16V		303 407 3517	ELECT 470U M 16V
	303 423 8916	ELECT 220U M 16V	C7744	403 455 1012	CERAMIC 1U K 10V
	403 458 4812	ELECT 220U M 16V		303 433 1112	CERAMIC 1U K 10V
C6696	303 397 8714	NP-ELECT 22U M 16V	C7745	303 358 3215	CERAMIC 10U K 6.3V

Electrical Parts List

Key No.	Part No.	Description	Key No.	Part No.	Description
	303 370 0018	CERAMIC 10U K 6.3V		303 409 3426	CERAMIC 0.1U K 16V
	303 368 7319	CERAMIC 10U K 6.3V	C7809	303 453 8917	CERAMIC 0.1U K 16V
C7746	403 455 1012	CERAMIC 1U K 10V		303 453 8610	CERAMIC 0.1U K 16V
	303 433 1112	CERAMIC 1U K 10V		303 409 3426	CERAMIC 0.1U K 16V
C7747	303 453 8917	CERAMIC 0.1U K 16V	C7811	303 453 8917	CERAMIC 0.1U K 16V
	303 453 8610	CERAMIC 0.1U K 16V		303 453 8610	CERAMIC 0.1U K 16V
	303 409 3426	CERAMIC 0.1U K 16V		303 409 3426	CERAMIC 0.1U K 16V
C7748	303 381 9918	ELECT 470U M 16V	C7821	303 453 8917	CERAMIC 0.1U K 16V
	303 407 3517	ELECT 470U M 16V		303 453 8610	CERAMIC 0.1U K 16V
C7749	403 455 1012	CERAMIC 1U K 10V		303 409 3426	CERAMIC 0.1U K 16V
	303 433 1112	CERAMIC 1U K 10V	C7822	303 398 5415	ELECT 47U M 25V
C7750	303 358 3215	CERAMIC 10U K 6.3V		303 387 7314	ELECT 47U M 25V
	303 370 0018	CERAMIC 10U K 6.3V	C7823	303 454 0613	CERAMIC 0.01U K 50V
	303 368 7319	CERAMIC 10U K 6.3V		303 441 9810	CERAMIC 0.01U K 50V
C7751	403 455 1012	CERAMIC 1U K 10V	C7824	303 454 0613	CERAMIC 0.01U K 50V
	303 433 1112	CERAMIC 1U K 10V		303 441 9810	CERAMIC 0.01U K 50V
C7752	303 453 8917	CERAMIC 0.1U K 16V	C7825	303 381 5316	ELECT 100U M 16V
	303 453 8610	CERAMIC 0.1U K 16V		303 369 3211	ELECT 100U M 16V
	303 409 3426	CERAMIC 0.1U K 16V		403 458 7615	ELECT 100U M 16V
C7753	303 381 9918	ELECT 470U M 16V	C7831	303 453 8917	CERAMIC 0.1U K 16V
	303 407 3517	ELECT 470U M 16V		303 453 8610	CERAMIC 0.1U K 16V
C7754	403 455 1012	CERAMIC 1U K 10V		303 409 3426	CERAMIC 0.1U K 16V
	303 433 1112	CERAMIC 1U K 10V	C7832	303 453 8917	CERAMIC 0.1U K 16V
C7755	303 358 3215	CERAMIC 10U K 6.3V		303 453 8610	CERAMIC 0.1U K 16V
	303 370 0018	CERAMIC 10U K 6.3V		303 409 3426	CERAMIC 0.1U K 16V
	303 368 7319	CERAMIC 10U K 6.3V	C7833	303 381 5613	ELECT 220U M 16V
C7756	403 455 1012	CERAMIC 1U K 10V		303 423 8916	ELECT 220U M 16V
	303 433 1112	CERAMIC 1U K 10V		403 458 4812	ELECT 220U M 16V
C7757	303 453 8917	CERAMIC 0.1U K 16V	C7834	303 453 8917	CERAMIC 0.1U K 16V
	303 453 8610	CERAMIC 0.1U K 16V		303 453 8610	CERAMIC 0.1U K 16V
	303 409 3426	CERAMIC 0.1U K 16V		303 409 3426	CERAMIC 0.1U K 16V
C7758	303 381 9918	ELECT 470U M 16V	C7841	303 453 8917	CERAMIC 0.1U K 16V
	303 407 3517	ELECT 470U M 16V		303 453 8610	CERAMIC 0.1U K 16V
C7759	403 455 1012	CERAMIC 1U K 10V		303 409 3426	CERAMIC 0.1U K 16V
	303 433 1112	CERAMIC 1U K 10V	C7842	303 398 5415	ELECT 47U M 25V
C7760	303 358 3215	CERAMIC 10U K 6.3V		303 387 7314	ELECT 47U M 25V
	303 370 0018	CERAMIC 10U K 6.3V	C7843	303 454 0613	CERAMIC 0.01U K 50V
	303 368 7319	CERAMIC 10U K 6.3V		303 441 9810	CERAMIC 0.01U K 50V
C7792	303 453 8917	CERAMIC 0.1U K 16V	C7844	303 454 0613	CERAMIC 0.01U K 50V
	303 453 8610	CERAMIC 0.1U K 16V		303 441 9810	CERAMIC 0.01U K 50V
	303 409 3426	CERAMIC 0.1U K 16V	C7845	303 381 5316	ELECT 100U M 16V
C7793	303 453 8917	CERAMIC 0.1U K 16V		303 369 3211	ELECT 100U M 16V
	303 453 8610	CERAMIC 0.1U K 16V		403 458 7615	ELECT 100U M 16V
	303 409 3426	CERAMIC 0.1U K 16V	C7851	303 453 8917	CERAMIC 0.1U K 16V
C7798	303 376 3112	ELECT 100U M 25V		303 453 8610	CERAMIC 0.1U K 16V
	303 374 7815	ELECT 100UM 25V		303 409 3426	CERAMIC 0.1U K 16V
	303 444 0111	ELECT 100U M 25V	C7852	303 453 8917	CERAMIC 0.1U K 16V
C7799	303 376 3112	ELECT 100U M 25V		303 453 8610	CERAMIC 0.1U K 16V
	303 374 7815	ELECT 100UM 25V		303 409 3426	CERAMIC 0.1U K 16V
	303 444 0111	ELECT 100U M 25V	C7853	303 381 5613	ELECT 220U M 16V
C7801	303 401 2219	ELECT 100U M 6.3V		303 423 8916	ELECT 220U M 16V
	303 424 0315	ELECT 100U M 6.3V		403 458 4812	ELECT 220U M 16V
	403 458 7219	ELECT 100U M 6.3V	C7854	303 453 8917	CERAMIC 0.1U K 16V
C7802	303 453 8917	CERAMIC 0.1U K 16V		303 453 8610	CERAMIC 0.1U K 16V
	303 453 8610	CERAMIC 0.1U K 16V		303 409 3426	CERAMIC 0.1U K 16V
	303 409 3426	CERAMIC 0.1U K 16V	C7861	303 453 8917	CERAMIC 0.1U K 16V
C7803	303 453 8917	CERAMIC 0.1U K 16V		303 453 8610	CERAMIC 0.1U K 16V
	303 453 8610	CERAMIC 0.1U K 16V		303 409 3426	CERAMIC 0.1U K 16V
	303 409 3426	CERAMIC 0.1U K 16V	C7862	303 398 5415	ELECT 47U M 25V
C7806	303 401 2219	ELECT 100U M 6.3V		303 387 7314	ELECT 47U M 25V
	303 424 0315	ELECT 100U M 6.3V	C7863	303 454 0613	CERAMIC 0.01U K 50V
	403 458 7219	ELECT 100U M 6.3V		303 441 9810	CERAMIC 0.01U K 50V
C7807	303 453 8917	CERAMIC 0.1U K 16V	C7864	303 454 0613	CERAMIC 0.01U K 50V
	303 453 8610	CERAMIC 0.1U K 16V		303 441 9810	CERAMIC 0.01U K 50V
	303 409 3426	CERAMIC 0.1U K 16V	C7865	303 381 5316	ELECT 100U M 16V
C7808	303 453 8917	CERAMIC 0.1U K 16V		303 369 3211	ELECT 100U M 16V
	303 453 8610	CERAMIC 0.1U K 16V		403 458 7615	ELECT 100U M 16V

## Electrical Parts List

Key No.	Part No.	Description	Key No.	Part No.	Description
C7871	303 453 8917	CERAMIC 0.1U K 16V		303 453 8610	CERAMIC 0.1U K 16V
	303 453 8610	CERAMIC 0.1U K 16V		303 409 3426	CERAMIC 0.1U K 16V
	303 409 3426	CERAMIC 0.1U K 16V	C8006	303 453 8917	CERAMIC 0.1U K 16V
C7872	303 453 8917	CERAMIC 0.1U K 16V		303 453 8610	CERAMIC 0.1U K 16V
	303 453 8610	CERAMIC 0.1U K 16V		303 409 3426	CERAMIC 0.1U K 16V
	303 409 3426	CERAMIC 0.1U K 16V	C8007	303 453 8917	CERAMIC 0.1U K 16V
C7876	303 381 5613	ELECT 220U M 16V		303 453 8610	CERAMIC 0.1U K 16V
	303 423 8916	ELECT 220U M 16V		303 409 3426	CERAMIC 0.1U K 16V
	403 458 4812	ELECT 220U M 16V	C8008	303 358 3215	CERAMIC 10U K 6.3V
C7881	303 453 8917	CERAMIC 0.1U K 16V		303 370 0018	CERAMIC 10U K 6.3V
	303 453 8610	CERAMIC 0.1U K 16V		303 368 7319	CERAMIC 10U K 6.3V
	303 409 3426	CERAMIC 0.1U K 16V	C8009	303 358 3215	CERAMIC 10U K 6.3V
C7882	303 398 5415	ELECT 47U M 25V		303 370 0018	CERAMIC 10U K 6.3V
	303 387 7314	ELECT 47U M 25V		303 368 7319	CERAMIC 10U K 6.3V
C7883	303 454 0613	CERAMIC 0.01U K 50V	C801	303 453 8917	CERAMIC 0.1U K 16V
	303 441 9810	CERAMIC 0.01U K 50V		303 453 8610	CERAMIC 0.1U K 16V
C7884	303 454 0613	CERAMIC 0.01U K 50V		303 409 3426	CERAMIC 0.1U K 16V
	303 441 9810	CERAMIC 0.01U K 50V	C8011	303 453 8917	CERAMIC 0.1U K 16V
C7885	303 381 5316	ELECT 100U M 16V		303 453 8610	CERAMIC 0.1U K 16V
	303 369 3211	ELECT 100U M 16V		303 409 3426	CERAMIC 0.1U K 16V
	403 458 7615	ELECT 100U M 16V	C8012	303 358 3215	CERAMIC 10U K 6.3V
C7886	303 453 8917	CERAMIC 0.1U K 16V		303 370 0018	CERAMIC 10U K 6.3V
	303 453 8610	CERAMIC 0.1U K 16V		303 368 7319	CERAMIC 10U K 6.3V
	303 409 3426	CERAMIC 0.1U K 16V	C8013	303 453 8917	CERAMIC 0.1U K 16V
C7888	303 453 8917	CERAMIC 0.1U K 16V		303 453 8610	CERAMIC 0.1U K 16V
	303 453 8610	CERAMIC 0.1U K 16V		303 409 3426	CERAMIC 0.1U K 16V
	303 409 3426	CERAMIC 0.1U K 16V	C8014	303 453 7910	CERAMIC 18P J 50V
C7889	303 381 5613	ELECT 220U M 16V		303 454 0712	CERAMIC 18P J 50V
	303 423 8916	ELECT 220U M 16V		303 276 2819	CERAMIC 18P J 50V
	403 458 4812	ELECT 220U M 16V	C8016	303 453 7910	CERAMIC 18P J 50V
C7891	303 453 8917	CERAMIC 0.1U K 16V		303 454 0712	CERAMIC 18P J 50V
	303 453 8610	CERAMIC 0.1U K 16V		303 276 2819	CERAMIC 18P J 50V
	303 409 3426	CERAMIC 0.1U K 16V	C8017	303 453 8917	CERAMIC 0.1U K 16V
C7921	303 453 8917	CERAMIC 0.1U K 16V		303 453 8610	CERAMIC 0.1U K 16V
	303 453 8610	CERAMIC 0.1U K 16V		303 409 3426	CERAMIC 0.1U K 16V
	303 409 3426	CERAMIC 0.1U K 16V	C8018	303 453 8917	CERAMIC 0.1U K 16V
C7922	303 398 5415	ELECT 47U M 25V		303 453 8610	CERAMIC 0.1U K 16V
	303 387 7314	ELECT 47U M 25V		303 409 3426	CERAMIC 0.1U K 16V
C7923	303 454 0613	CERAMIC 0.01U K 50V	C8019	303 453 8917	CERAMIC 0.1U K 16V
	303 441 9810	CERAMIC 0.01U K 50V		303 453 8610	CERAMIC 0.1U K 16V
C7924	303 454 0613	CERAMIC 0.01U K 50V		303 409 3426	CERAMIC 0.1U K 16V
	303 441 9810	CERAMIC 0.01U K 50V	C8021	303 453 8917	CERAMIC 0.1U K 16V
C7925	303 381 5316	ELECT 100U M 16V		303 453 8610	CERAMIC 0.1U K 16V
	303 369 3211	ELECT 100U M 16V		303 409 3426	CERAMIC 0.1U K 16V
	403 458 7615	ELECT 100U M 16V	C8022	303 453 8917	CERAMIC 0.1U K 16V
C7931	303 453 8917	CERAMIC 0.1U K 16V		303 453 8610	CERAMIC 0.1U K 16V
	303 453 8610	CERAMIC 0.1U K 16V		303 409 3426	CERAMIC 0.1U K 16V
	303 409 3426	CERAMIC 0.1U K 16V	C8023	303 453 8917	CERAMIC 0.1U K 16V
C7932	303 453 8917	CERAMIC 0.1U K 16V		303 453 8610	CERAMIC 0.1U K 16V
	303 453 8610	CERAMIC 0.1U K 16V		303 409 3426	CERAMIC 0.1U K 16V
	303 409 3426	CERAMIC 0.1U K 16V	C8024	303 358 3215	CERAMIC 10U K 6.3V
C7933	303 381 5613	ELECT 220U M 16V		303 370 0018	CERAMIC 10U K 6.3V
	303 423 8916	ELECT 220U M 16V		303 368 7319	CERAMIC 10U K 6.3V
	403 458 4812	ELECT 220U M 16V	C8026	303 358 3215	CERAMIC 10U K 6.3V
C7934	303 453 8917	CERAMIC 0.1U K 16V		303 370 0018	CERAMIC 10U K 6.3V
	303 453 8610	CERAMIC 0.1U K 16V		303 368 7319	CERAMIC 10U K 6.3V
	303 409 3426	CERAMIC 0.1U K 16V	C8027	303 358 3215	CERAMIC 10U K 6.3V
C8001	303 358 3215	CERAMIC 10U K 6.3V		303 370 0018	CERAMIC 10U K 6.3V
	303 370 0018	CERAMIC 10U K 6.3V		303 368 7319	CERAMIC 10U K 6.3V
	303 368 7319	CERAMIC 10U K 6.3V	C8028	303 453 8917	CERAMIC 0.1U K 16V
C8002	303 453 8917	CERAMIC 0.1U K 16V		303 453 8610	CERAMIC 0.1U K 16V
	303 453 8610	CERAMIC 0.1U K 16V		303 409 3426	CERAMIC 0.1U K 16V
	303 409 3426	CERAMIC 0.1U K 16V	C8029	303 453 8917	CERAMIC 0.1U K 16V
C8003	303 453 8917	CERAMIC 0.1U K 16V		303 453 8610	CERAMIC 0.1U K 16V
	303 453 8610	CERAMIC 0.1U K 16V		303 409 3426	CERAMIC 0.1U K 16V
	303 409 3426	CERAMIC 0.1U K 16V	C8031	303 453 8917	CERAMIC 0.1U K 16V
C8004	303 453 8917	CERAMIC 0.1U K 16V		303 453 8610	CERAMIC 0.1U K 16V



Electrical Parts List

Key No.	Part No.	Description	Key No.	Part No.	Description
	303 409 3426	CERAMIC 0.1U K 16V		303 409 3426	CERAMIC 0.1U K 16V
C8032	303 453 8917	CERAMIC 0.1U K 16V	C8231	303 453 8917	CERAMIC 0.1U K 16V
	303 453 8610	CERAMIC 0.1U K 16V		303 453 8610	CERAMIC 0.1U K 16V
	303 409 3426	CERAMIC 0.1U K 16V		303 409 3426	CERAMIC 0.1U K 16V
C8033	303 453 8917	CERAMIC 0.1U K 16V	C8232	303 453 8917	CERAMIC 0.1U K 16V
	303 453 8610	CERAMIC 0.1U K 16V		303 453 8610	CERAMIC 0.1U K 16V
	303 409 3426	CERAMIC 0.1U K 16V		303 409 3426	CERAMIC 0.1U K 16V
C8034	303 453 8917	CERAMIC 0.1U K 16V	C8233	303 453 8917	CERAMIC 0.1U K 16V
	303 453 8610	CERAMIC 0.1U K 16V		303 453 8610	CERAMIC 0.1U K 16V
	303 409 3426	CERAMIC 0.1U K 16V		303 409 3426	CERAMIC 0.1U K 16V
C8036	303 453 8917	CERAMIC 0.1U K 16V	C8234	303 453 8917	CERAMIC 0.1U K 16V
	303 453 8610	CERAMIC 0.1U K 16V		303 453 8610	CERAMIC 0.1U K 16V
	303 409 3426	CERAMIC 0.1U K 16V		303 409 3426	CERAMIC 0.1U K 16V
C8037	303 453 8917	CERAMIC 0.1U K 16V	C8236	303 424 7017	CERAMIC 0.047U K 25V
	303 453 8610	CERAMIC 0.1U K 16V	C8237	303 424 7017	CERAMIC 0.047U K 25V
	303 409 3426	CERAMIC 0.1U K 16V	C8239	303 424 7017	CERAMIC 0.047U K 25V
C8038	303 358 3215	CERAMIC 10U K 6.3V	C8241	303 453 8917	CERAMIC 0.1U K 16V
	303 370 0018	CERAMIC 10U K 6.3V		303 453 8610	CERAMIC 0.1U K 16V
	303 368 7319	CERAMIC 10U K 6.3V		303 409 3426	CERAMIC 0.1U K 16V
C8071	403 455 1012	CERAMIC 1U K 10V	C8242	303 453 8917	CERAMIC 0.1U K 16V
	303 433 1112	CERAMIC 1U K 10V		303 453 8610	CERAMIC 0.1U K 16V
C8072	403 455 1012	CERAMIC 1U K 10V		303 409 3426	CERAMIC 0.1U K 16V
	303 433 1112	CERAMIC 1U K 10V	C8243	303 453 8917	CERAMIC 0.1U K 16V
C8073	303 358 3215	CERAMIC 10U K 6.3V		303 453 8610	CERAMIC 0.1U K 16V
	303 370 0018	CERAMIC 10U K 6.3V		303 409 3426	CERAMIC 0.1U K 16V
	303 368 7319	CERAMIC 10U K 6.3V	C8244	303 453 8917	CERAMIC 0.1U K 16V
C8081	403 455 1012	CERAMIC 1U K 10V		303 453 8610	CERAMIC 0.1U K 16V
	303 433 1112	CERAMIC 1U K 10V		303 409 3426	CERAMIC 0.1U K 16V
C8082	403 455 1012	CERAMIC 1U K 10V	C825	303 453 8917	CERAMIC 0.1U K 16V
	303 433 1112	CERAMIC 1U K 10V		303 453 8610	CERAMIC 0.1U K 16V
C8083	303 401 2219	ELECT 100U M 6.3V		303 409 3426	CERAMIC 0.1U K 16V
	303 424 0315	ELECT 100U M 6.3V	C826	303 453 8917	CERAMIC 0.1U K 16V
	403 458 7219	ELECT 100U M 6.3V		303 453 8610	CERAMIC 0.1U K 16V
C8091	403 455 1012	CERAMIC 1U K 10V		303 409 3426	CERAMIC 0.1U K 16V
	303 433 1112	CERAMIC 1U K 10V	C8261	303 453 8917	CERAMIC 0.1U K 16V
C8092	303 358 3215	CERAMIC 10U K 6.3V		303 453 8610	CERAMIC 0.1U K 16V
	303 370 0018	CERAMIC 10U K 6.3V		303 409 3426	CERAMIC 0.1U K 16V
	303 368 7319	CERAMIC 10U K 6.3V	C8262	303 453 8917	CERAMIC 0.1U K 16V
C8093	303 381 5316	ELECT 100U M 16V		303 453 8610	CERAMIC 0.1U K 16V
	303 369 3211	ELECT 100U M 16V		303 409 3426	CERAMIC 0.1U K 16V
	403 458 7615	ELECT 100U M 16V	C8263	303 424 7017	CERAMIC 0.047U K 25V
C8094	403 455 1012	CERAMIC 1U K 10V	C8264	303 453 8917	CERAMIC 0.1U K 16V
	303 433 1112	CERAMIC 1U K 10V		303 453 8610	CERAMIC 0.1U K 16V
C8201	303 453 8917	CERAMIC 0.1U K 16V		303 409 3426	CERAMIC 0.1U K 16V
	303 453 8610	CERAMIC 0.1U K 16V	C8266	303 424 7017	CERAMIC 0.047U K 25V
	303 409 3426	CERAMIC 0.1U K 16V	C8267	303 424 7017	CERAMIC 0.047U K 25V
C8202	303 424 7017	CERAMIC 0.047U K 25V	C8268	303 453 8917	CERAMIC 0.1U K 16V
C8203	303 424 7017	CERAMIC 0.047U K 25V		303 453 8610	CERAMIC 0.1U K 16V
C8204	303 424 7017	CERAMIC 0.047U K 25V		303 409 3426	CERAMIC 0.1U K 16V
C8206	303 424 7017	CERAMIC 0.047U K 25V	C8269	303 424 7017	CERAMIC 0.047U K 25V
C8207	303 453 8917	CERAMIC 0.1U K 16V	C8271	303 453 8917	CERAMIC 0.1U K 16V
	303 453 8610	CERAMIC 0.1U K 16V		303 453 8610	CERAMIC 0.1U K 16V
	303 409 3426	CERAMIC 0.1U K 16V		303 409 3426	CERAMIC 0.1U K 16V
C8208	303 453 8917	CERAMIC 0.1U K 16V	C8272	303 453 8917	CERAMIC 0.1U K 16V
	303 453 8610	CERAMIC 0.1U K 16V		303 453 8610	CERAMIC 0.1U K 16V
	303 409 3426	CERAMIC 0.1U K 16V		303 409 3426	CERAMIC 0.1U K 16V
C8209	303 453 8917	CERAMIC 0.1U K 16V	C8291	403 455 1012	CERAMIC 1U K 10V
	303 453 8610	CERAMIC 0.1U K 16V		303 433 1112	CERAMIC 1U K 10V
	303 409 3426	CERAMIC 0.1U K 16V	C8292	303 453 8917	CERAMIC 0.1U K 16V
C821	303 453 8917	CERAMIC 0.1U K 16V		303 453 8610	CERAMIC 0.1U K 16V
	303 453 8610	CERAMIC 0.1U K 16V		303 409 3426	CERAMIC 0.1U K 16V
	303 409 3426	CERAMIC 0.1U K 16V	C8293	303 453 8917	CERAMIC 0.1U K 16V
C822	303 453 8917	CERAMIC 0.1U K 16V		303 453 8610	CERAMIC 0.1U K 16V
	303 453 8610	CERAMIC 0.1U K 16V		303 409 3426	CERAMIC 0.1U K 16V
	303 409 3426	CERAMIC 0.1U K 16V	C8294	303 453 8917	CERAMIC 0.1U K 16V
C823	303 453 8917	CERAMIC 0.1U K 16V		303 453 8610	CERAMIC 0.1U K 16V
	303 453 8610	CERAMIC 0.1U K 16V		303 409 3426	CERAMIC 0.1U K 16V

**Electrical Parts List**

<b>Key No.</b>	<b>Part No.</b>	<b>Description</b>			<b>Key No.</b>	<b>Part No.</b>	<b>Description</b>		
C8295	303 453 8917	CERAMIC	0.1U K	16V	C8884	303 454 0613	CERAMIC	0.01U K	50V
	303 453 8610	CERAMIC	0.1U K	16V		303 441 9810	CERAMIC	0.01U K	50V
	303 409 3426	CERAMIC	0.1U K	16V	C8885	303 453 8511	CERAMIC	1000P K	50V
C8296	403 455 1012	CERAMIC	1U K	10V		303 454 1214	CERAMIC	1000P K	50V
	303 433 1112	CERAMIC	1U K	10V		303 276 1317	CERAMIC	1000P K	50V
C844	303 453 8917	CERAMIC	0.1U K	16V	C8886	303 453 8511	CERAMIC	1000P K	50V
	303 453 8610	CERAMIC	0.1U K	16V		303 454 1214	CERAMIC	1000P K	50V
	303 409 3426	CERAMIC	0.1U K	16V		303 276 1317	CERAMIC	1000P K	50V
C8800	403 455 1012	CERAMIC	1U K	10V	C8887	303 454 0613	CERAMIC	0.01U K	50V
	303 433 1112	CERAMIC	1U K	10V		303 441 9810	CERAMIC	0.01U K	50V
C8801	303 453 8917	CERAMIC	0.1U K	16V	C9875	303 453 7217	CERAMIC	47P J	50V
	303 453 8610	CERAMIC	0.1U K	16V		303 454 1610	CERAMIC	47P J	50V
	303 409 3426	CERAMIC	0.1U K	16V		303 305 8812	CERAMIC	47P J	50V
C8802	303 453 8917	CERAMIC	0.1U K	16V	C9878	303 324 6417	CERAMIC	0.022U K	16V
	303 453 8610	CERAMIC	0.1U K	16V	C9883	303 398 4111	ELECT	47U M	16V
	303 409 3426	CERAMIC	0.1U K	16V		303 387 6515	ELECT	47U M	16V
C8803	303 453 8917	CERAMIC	0.1U K	16V	C9884	303 453 8917	CERAMIC	0.1U K	16V
	303 453 8610	CERAMIC	0.1U K	16V		303 453 8610	CERAMIC	0.1U K	16V
	303 409 3426	CERAMIC	0.1U K	16V		303 409 3426	CERAMIC	0.1U K	16V
C8806	303 453 8917	CERAMIC	0.1U K	16V	C9885	303 453 8917	CERAMIC	0.1U K	16V
	303 453 8610	CERAMIC	0.1U K	16V		303 453 8610	CERAMIC	0.1U K	16V
	303 409 3426	CERAMIC	0.1U K	16V		303 409 3426	CERAMIC	0.1U K	16V
C8807	303 453 7019	CERAMIC	33P J	50V	C9888	303 281 2415	CERAMIC	0.22U K	16V
	303 453 9617	CERAMIC	33P J	50V		303 364 5913	CERAMIC	0.22U K	16V
	303 276 3113	CERAMIC	33P J	50V	C9889	303 453 8917	CERAMIC	0.1U K	16V
C8808	303 453 7019	CERAMIC	33P J	50V		303 453 8610	CERAMIC	0.1U K	16V
	303 453 9617	CERAMIC	33P J	50V		303 409 3426	CERAMIC	0.1U K	16V
	303 276 3113	CERAMIC	33P J	50V					
C8809	303 453 8917	CERAMIC	0.1U K	16V	<b>RESISTOR</b>				
	303 453 8610	CERAMIC	0.1U K	16V	R002	301 226 1516	MT-GLAZE	0.000 ZA	1/16W
	303 409 3426	CERAMIC	0.1U K	16V	R007	301 226 1516	MT-GLAZE	0.000 ZA	1/16W
C8810	303 453 8917	CERAMIC	0.1U K	16V	R008	301 226 1516	MT-GLAZE	0.000 ZA	1/16W
	303 453 8610	CERAMIC	0.1U K	16V	R009	301 224 9019	MT-GLAZE	10K JA	1/16W
	303 409 3426	CERAMIC	0.1U K	16V	R010	301 224 9019	MT-GLAZE	10K JA	1/16W
C8811	303 453 8917	CERAMIC	0.1U K	16V	R011	301 276 4710	MT-GLAZE	0.000 ZA	1/3W
	303 453 8610	CERAMIC	0.1U K	16V	R012	301 276 4710	MT-GLAZE	0.000 ZA	1/3W
	303 409 3426	CERAMIC	0.1U K	16V	R040	301 226 1516	MT-GLAZE	0.000 ZA	1/16W
C8812	303 453 8917	CERAMIC	0.1U K	16V	R041	301 235 1415	MT-GLAZE	1.2K JA	1/16W
	303 453 8610	CERAMIC	0.1U K	16V	R042	301 235 1415	MT-GLAZE	1.2K JA	1/16W
	303 409 3426	CERAMIC	0.1U K	16V	R043	301 224 9514	MT-GLAZE	2.2K JA	1/16W
C8814	303 453 8917	CERAMIC	0.1U K	16V	R044	301 224 9019	MT-GLAZE	10K JA	1/16W
	303 453 8610	CERAMIC	0.1U K	16V	R047	301 224 9316	MT-GLAZE	1K JA	1/16W
	303 409 3426	CERAMIC	0.1U K	16V	R049	301 224 9019	MT-GLAZE	10K JA	1/16W
C8815	303 453 8917	CERAMIC	0.1U K	16V	R1005	301 224 9019	MT-GLAZE	10K JA	1/16W
	303 453 8610	CERAMIC	0.1U K	16V	R1007	301 224 9019	MT-GLAZE	10K JA	1/16W
	303 409 3426	CERAMIC	0.1U K	16V	R1008	301 150 6014	MT-GLAZE	0.000 ZA	1/10W
C8817	303 453 8917	CERAMIC	0.1U K	16V	R1010	301 224 9019	MT-GLAZE	10K JA	1/16W
	303 453 8610	CERAMIC	0.1U K	16V	R1011	301 150 6014	MT-GLAZE	0.000 ZA	1/10W
	303 409 3426	CERAMIC	0.1U K	16V	R1012	301 150 6014	MT-GLAZE	0.000 ZA	1/10W
C8818	303 453 8917	CERAMIC	0.1U K	16V	R1013	301 224 9019	MT-GLAZE	10K JA	1/16W
	303 453 8610	CERAMIC	0.1U K	16V	R1014	301 260 4016	MT-GLAZE	68 JA	1/3W
	303 409 3426	CERAMIC	0.1U K	16V	R1015	301 260 4016	MT-GLAZE	68 JA	1/3W
C8819	303 453 8917	CERAMIC	0.1U K	16V	R1017	301 224 9019	MT-GLAZE	10K JA	1/16W
	303 453 8610	CERAMIC	0.1U K	16V	R1018	301 224 9019	MT-GLAZE	10K JA	1/16W
	303 409 3426	CERAMIC	0.1U K	16V	R1019	301 224 9019	MT-GLAZE	10K JA	1/16W
C8820	303 453 8917	CERAMIC	0.1U K	16V	R1021	301 150 6014	MT-GLAZE	0.000 ZA	1/10W
	303 453 8610	CERAMIC	0.1U K	16V	R1022	301 260 4115	MT-GLAZE	75 JA	1/3W
	303 409 3426	CERAMIC	0.1U K	16V	R1023	301 260 4115	MT-GLAZE	75 JA	1/3W
C8821	303 453 8917	CERAMIC	0.1U K	16V	R1024	301 225 1418	MT-GLAZE	47K JA	1/16W
	303 453 8610	CERAMIC	0.1U K	16V	R1025	301 260 4115	MT-GLAZE	75 JA	1/3W
	303 409 3426	CERAMIC	0.1U K	16V	R1026	301 225 1418	MT-GLAZE	47K JA	1/16W
C8832	303 454 0613	CERAMIC	0.01U K	50V	R1027	301 224 8814	MT-GLAZE	100 JA	1/16W
	303 441 9810	CERAMIC	0.01U K	50V	R1028	301 224 8814	MT-GLAZE	100 JA	1/16W
C8833	403 455 1012	CERAMIC	1U K	10V	R1029	301 225 1210	MT-GLAZE	4.7K JA	1/16W
	303 433 1112	CERAMIC	1U K	10V	R1030	301 225 1210	MT-GLAZE	4.7K JA	1/16W
C8881	303 454 0613	CERAMIC	0.01U K	50V	R1031	301 225 1814	MT-GLAZE	47 JA	1/16W
	303 441 9810	CERAMIC	0.01U K	50V	R1032	301 225 3818	MT-GLAZE	1.5K JA	1/16W

**Electrical Parts List**

Key No.	Part No.	Description	Key No.	Part No.	Description
R1033	301 226 1516	MT-GLAZE 0.000 ZA 1/16W	R1336	301 224 9316	MT-GLAZE 1K JA 1/16W
R1035	301 150 6014	MT-GLAZE 0.000 ZA 1/10W	R1337	301 224 9019	MT-GLAZE 10K JA 1/16W
R1036	301 224 9019	MT-GLAZE 10K JA 1/16W	R1338	301 225 0213	MT-GLAZE 3.3K JA 1/16W
R1037	301 224 9019	MT-GLAZE 10K JA 1/16W	R1339	301 225 0213	MT-GLAZE 3.3K JA 1/16W
R1043	301 150 6014	MT-GLAZE 0.000 ZA 1/10W	R1342	301 226 1516	MT-GLAZE 0.000 ZA 1/16W
R1044	301 224 8913	MT-GLAZE 100K JA 1/16W	R1343	301 226 1516	MT-GLAZE 0.000 ZA 1/16W
R1047	301 224 9316	MT-GLAZE 1K JA 1/16W	R1344	301 224 8913	MT-GLAZE 100K JA 1/16W
R1049	301 224 9316	MT-GLAZE 1K JA 1/16W	R1345	301 224 9316	MT-GLAZE 1K JA 1/16W
R1051	301 224 9316	MT-GLAZE 1K JA 1/16W	R1346	301 224 9316	MT-GLAZE 1K JA 1/16W
R1052	301 224 9316	MT-GLAZE 1K JA 1/16W	R1347	301 224 9316	MT-GLAZE 1K JA 1/16W
R1054	301 224 8814	MT-GLAZE 100 JA 1/16W	R1348	301 224 9316	MT-GLAZE 1K JA 1/16W
R1056	301 224 9316	MT-GLAZE 1K JA 1/16W	R1349	301 224 9316	MT-GLAZE 1K JA 1/16W
R1067	301 224 8814	MT-GLAZE 100 JA 1/16W	R1350	301 226 2414	MT-GLAZE 560 JA 1/16W
R1072	301 224 9415	MT-GLAZE 1M JA 1/16W	R1351	301 224 9415	MT-GLAZE 1M JA 1/16W
R1073	301 256 7618	MT-GLAZE 3.9K JA 1/10W	R1353	301 226 1516	MT-GLAZE 0.000 ZA 1/16W
R1074	301 224 8814	MT-GLAZE 100 JA 1/16W	R1354	301 226 1516	MT-GLAZE 0.000 ZA 1/16W
R1076	301 224 8814	MT-GLAZE 100 JA 1/16W	R1355	301 226 1516	MT-GLAZE 0.000 ZA 1/16W
R1077	301 150 6014	MT-GLAZE 0.000 ZA 1/10W	R1356	301 226 1516	MT-GLAZE 0.000 ZA 1/16W
R1078	301 150 6014	MT-GLAZE 0.000 ZA 1/10W	R1357	301 224 9316	MT-GLAZE 1K JA 1/16W
R1082	301 226 1516	MT-GLAZE 0.000 ZA 1/16W	R1358	301 263 7420	MT-GLAZE 75 JA 1/16W
R1084	301 225 3818	MT-GLAZE 1.5K JA 1/16W	R1359	301 225 3818	MT-GLAZE 1.5K JA 1/16W
R1131	301 225 8813	MT-GLAZE 39 JA 1/16W	R1361	301 225 1210	MT-GLAZE 4.7K JA 1/16W
R1132	301 225 8813	MT-GLAZE 39 JA 1/16W	R1362	301 225 0213	MT-GLAZE 3.3K JA 1/16W
R1133	301 225 8813	MT-GLAZE 39 JA 1/16W	R1363	301 225 1210	MT-GLAZE 4.7K JA 1/16W
R1134	301 225 8813	MT-GLAZE 39 JA 1/16W	R1364	301 225 0213	MT-GLAZE 3.3K JA 1/16W
R1135	301 225 8813	MT-GLAZE 39 JA 1/16W	R1366	301 224 9019	MT-GLAZE 10K JA 1/16W
R1136	301 225 8813	MT-GLAZE 39 JA 1/16W	R1367	301 225 0213	MT-GLAZE 3.3K JA 1/16W
R1227	301 272 7814	MT-GLAZE 100 FA 1/16W	R1368	301 224 9019	MT-GLAZE 10K JA 1/16W
R1228	301 272 7814	MT-GLAZE 100 FA 1/16W	R1369	301 225 0213	MT-GLAZE 3.3K JA 1/16W
R1229	301 272 7814	MT-GLAZE 100 FA 1/16W	R1370	301 226 1516	MT-GLAZE 0.000 ZA 1/16W
R1231	301 272 7814	MT-GLAZE 100 FA 1/16W	R1371	301 224 9019	MT-GLAZE 10K JA 1/16W
R1232	301 272 7814	MT-GLAZE 100 FA 1/16W	R1375	301 226 1516	MT-GLAZE 0.000 ZA 1/16W
R1238	301 226 5415	MT-GLAZE 56 JA 1/16W	R1378	301 224 9019	MT-GLAZE 10K JA 1/16W
R1239	301 226 5415	MT-GLAZE 56 JA 1/16W	R1379	301 225 0213	MT-GLAZE 3.3K JA 1/16W
R1241	301 226 5415	MT-GLAZE 56 JA 1/16W	R1380	301 226 1516	MT-GLAZE 0.000 ZA 1/16W
R1242	301 226 1516	MT-GLAZE 0.000 ZA 1/16W	R1381	301 226 1516	MT-GLAZE 0.000 ZA 1/16W
R1243	301 225 1210	MT-GLAZE 4.7K JA 1/16W	R1382	301 226 1516	MT-GLAZE 0.000 ZA 1/16W
R1244	301 225 1210	MT-GLAZE 4.7K JA 1/16W	R1384	301 226 1516	MT-GLAZE 0.000 ZA 1/16W
R1246	301 225 1210	MT-GLAZE 4.7K JA 1/16W	R1387	301 225 0213	MT-GLAZE 3.3K JA 1/16W
R1247	301 225 1210	MT-GLAZE 4.7K JA 1/16W	R1388	301 225 0213	MT-GLAZE 3.3K JA 1/16W
R1301	301 226 1516	MT-GLAZE 0.000 ZA 1/16W	R1390	301 226 1516	MT-GLAZE 0.000 ZA 1/16W
R1306	301 224 9316	MT-GLAZE 1K JA 1/16W	R1391	301 037 5017	MT-GLAZE 0.000 ZA 1/10W
R1307	301 226 1516	MT-GLAZE 0.000 ZA 1/16W	R1393	301 294 3115	MT-GLAZE 1K FA 1/16W
R1308	301 225 8110	MT-GLAZE 10 JA 1/16W	R1394	301 255 9019	MT-GLAZE 82 JA 1/10W
R1309	301 226 1516	MT-GLAZE 0.000 ZA 1/16W	R1395	301 294 3115	MT-GLAZE 1K FA 1/16W
R1310	301 226 1516	MT-GLAZE 0.000 ZA 1/16W	R1398	301 224 9019	MT-GLAZE 10K JA 1/16W
R1311	301 304 3616	MT-GLAZE 1K DA 1/16W	R1399	301 224 9019	MT-GLAZE 10K JA 1/16W
R1312	301 304 3616	MT-GLAZE 1K DA 1/16W	R1408	301 226 1516	MT-GLAZE 0.000 ZA 1/16W
R1313	301 225 0213	MT-GLAZE 3.3K JA 1/16W	R1409	301 226 1516	MT-GLAZE 0.000 ZA 1/16W
R1314	301 226 1516	MT-GLAZE 0.000 ZA 1/16W	R1410	301 225 1210	MT-GLAZE 4.7K JA 1/16W
R1315	301 226 1516	MT-GLAZE 0.000 ZA 1/16W	R1415	301 225 1210	MT-GLAZE 4.7K JA 1/16W
R1316	301 225 8110	MT-GLAZE 10 JA 1/16W	R1416	301 226 1516	MT-GLAZE 0.000 ZA 1/16W
R1317	301 225 0213	MT-GLAZE 3.3K JA 1/16W	R1417	301 226 1516	MT-GLAZE 0.000 ZA 1/16W
R1318	301 224 9019	MT-GLAZE 10K JA 1/16W	R1419	301 225 8110	MT-GLAZE 10 JA 1/16W
R1319	301 224 9019	MT-GLAZE 10K JA 1/16W	R1421	301 224 9712	MT-GLAZE 22 JA 1/16W
R1320	301 225 8110	MT-GLAZE 10 JA 1/16W	R1423	301 224 9712	MT-GLAZE 22 JA 1/16W
R1321	301 338 1015	MT-GLAZE 49.9 DA 1/16W	R1426	301 224 9712	MT-GLAZE 22 JA 1/16W
R1322	301 338 1015	MT-GLAZE 49.9 DA 1/16W	R1428	301 226 1516	MT-GLAZE 0.000 ZA 1/16W
R1325	301 226 1516	MT-GLAZE 0.000 ZA 1/16W	R1429	301 224 8814	MT-GLAZE 100 JA 1/16W
R1326	301 226 1516	MT-GLAZE 0.000 ZA 1/16W	R1430	301 226 1516	MT-GLAZE 0.000 ZA 1/16W
R1327	301 224 9019	MT-GLAZE 10K JA 1/16W	R1431	301 224 9712	MT-GLAZE 22 JA 1/16W
R1328	301 226 1516	MT-GLAZE 0.000 ZA 1/16W	R1433	301 224 9712	MT-GLAZE 22 JA 1/16W
R1329	301 226 1516	MT-GLAZE 0.000 ZA 1/16W	R1437	301 224 9712	MT-GLAZE 22 JA 1/16W
R1330	301 226 1516	MT-GLAZE 0.000 ZA 1/16W	R1441	301 294 4518	MT-GLAZE 18K FA 1/16W
R1331	301 226 1516	MT-GLAZE 0.000 ZA 1/16W	R1442	301 287 2227	MT-GLAZE 22K FA 1/16W
R1332	301 225 1210	MT-GLAZE 4.7K JA 1/16W	R1443	301 294 3511	MT-GLAZE 27K FA 1/16W
R1335	301 225 1210	MT-GLAZE 4.7K JA 1/16W	R1451	301 225 7915	MT-GLAZE 220 JA 1/16W

### Electrical Parts List

Key No.	Part No.	Description	Key No.	Part No.	Description
R1452	301 294 3016	MT-GLAZE 10K FA 1/16W	R2316	301 226 1516	MT-GLAZE 0.000 ZA 1/16W
R1453	301 294 3016	MT-GLAZE 10K FA 1/16W	R2317	301 226 1516	MT-GLAZE 0.000 ZA 1/16W
R1454	301 225 1715	MT-GLAZE 39K JA 1/16W	R2319	301 224 9019	MT-GLAZE 10K JA 1/16W
R1455	301 224 9019	MT-GLAZE 10K JA 1/16W	R2322	301 224 9019	MT-GLAZE 10K JA 1/16W
R1457	301 234 9917	MT-GLAZE 6.8K JA 1/16W	R2324	301 224 9019	MT-GLAZE 10K JA 1/16W
R1458	301 294 3214	MT-GLAZE 47K FA 1/16W	R2326	301 224 9019	MT-GLAZE 10K JA 1/16W
R1459	301 294 3214	MT-GLAZE 47K FA 1/16W	R2327	301 224 9019	MT-GLAZE 10K JA 1/16W
R1460	301 294 3511	MT-GLAZE 27K FA 1/16W	R2329	301 226 1516	MT-GLAZE 0.000 ZA 1/16W
R1461	301 035 4111	MT-GLAZE 0.000 ZA 1/8W	R2331	301 226 1516	MT-GLAZE 0.000 ZA 1/16W
R1488	301 226 1516	MT-GLAZE 0.000 ZA 1/16W	R2332	301 226 1516	MT-GLAZE 0.000 ZA 1/16W
R1489	301 226 1516	MT-GLAZE 0.000 ZA 1/16W	R2333	301 224 9712	MT-GLAZE 22 JA 1/16W
R1817	301 224 9019	MT-GLAZE 10K JA 1/16W	R2334	301 224 9712	MT-GLAZE 22 JA 1/16W
R1829	301 226 1516	MT-GLAZE 0.000 ZA 1/16W	R2335	301 298 5511	MT-GLAZE 8.2K FA 1/16W
R1830	301 226 1516	MT-GLAZE 0.000 ZA 1/16W	R2336	301 224 9415	MT-GLAZE 1M JA 1/16W
R1836	301 226 1516	MT-GLAZE 0.000 ZA 1/16W	R2337	301 224 9019	MT-GLAZE 10K JA 1/16W
R1840	301 224 9514	MT-GLAZE 2.2K JA 1/16W	R2338	301 224 8814	MT-GLAZE 100 JA 1/16W
R1844	301 226 1516	MT-GLAZE 0.000 ZA 1/16W	R2339	301 224 9712	MT-GLAZE 22 JA 1/16W
R1846	301 226 1516	MT-GLAZE 0.000 ZA 1/16W	R2341	301 224 9712	MT-GLAZE 22 JA 1/16W
R1851	301 224 8814	MT-GLAZE 100 JA 1/16W	R2342	301 224 9712	MT-GLAZE 22 JA 1/16W
R1852	301 226 1516	MT-GLAZE 0.000 ZA 1/16W	R2343	301 224 9712	MT-GLAZE 22 JA 1/16W
R1854	301 226 1516	MT-GLAZE 0.000 ZA 1/16W	R2344	301 224 9712	MT-GLAZE 22 JA 1/16W
R1855	301 226 1516	MT-GLAZE 0.000 ZA 1/16W	R2345	301 224 9712	MT-GLAZE 22 JA 1/16W
R1857	301 224 9316	MT-GLAZE 1K JA 1/16W	R2346	301 225 1814	MT-GLAZE 47 JA 1/16W
R1858	301 263 6928	MT-GLAZE 2K JA 1/16W	R2348	301 224 9712	MT-GLAZE 22 JA 1/16W
R1862	301 224 9019	MT-GLAZE 10K JA 1/16W	R2349	301 225 1814	MT-GLAZE 47 JA 1/16W
R1863	301 224 9019	MT-GLAZE 10K JA 1/16W	R2353	301 224 9019	MT-GLAZE 10K JA 1/16W
R1864	301 226 1516	MT-GLAZE 0.000 ZA 1/16W	R2356	301 224 9019	MT-GLAZE 10K JA 1/16W
R1866	301 224 8814	MT-GLAZE 100 JA 1/16W	R2357	301 224 9019	MT-GLAZE 10K JA 1/16W
R1870	301 226 1516	MT-GLAZE 0.000 ZA 1/16W	R2359	301 224 9019	MT-GLAZE 10K JA 1/16W
R1874	301 226 1516	MT-GLAZE 0.000 ZA 1/16W	R2362	301 224 9019	MT-GLAZE 10K JA 1/16W
R1875	301 226 1516	MT-GLAZE 0.000 ZA 1/16W	R2365	301 224 9316	MT-GLAZE 1K JA 1/16W
R1884	301 150 6014	MT-GLAZE 0.000 ZA 1/10W	R2369	301 259 7823	MT-GLAZE 20K JA 1/16W
R201	301 226 1516	MT-GLAZE 0.000 ZA 1/16W	R2372	301 226 1516	MT-GLAZE 0.000 ZA 1/16W
R202	301 226 1516	MT-GLAZE 0.000 ZA 1/16W	R2373	301 263 6928	MT-GLAZE 2K JA 1/16W
R203	301 226 1516	MT-GLAZE 0.000 ZA 1/16W	R2374	301 263 6928	MT-GLAZE 2K JA 1/16W
R204	301 226 1516	MT-GLAZE 0.000 ZA 1/16W	R2375	301 298 5818	MT-GLAZE 9.1K FA 1/16W
R2041	301 224 9019	MT-GLAZE 10K JA 1/16W	R2376	401 342 9318	MT-GLAZE 360 FA 1/16W
R2042	301 224 9910	MT-GLAZE 22K JA 1/16W	R2377	301 294 3016	MT-GLAZE 10K FA 1/16W
R2043	301 224 9910	MT-GLAZE 22K JA 1/16W	R2378	301 294 3115	MT-GLAZE 1K FA 1/16W
R2044	301 224 9910	MT-GLAZE 22K JA 1/16W	R2379	301 294 3115	MT-GLAZE 1K FA 1/16W
R205	301 226 1516	MT-GLAZE 0.000 ZA 1/16W	R2380	301 226 1516	MT-GLAZE 0.000 ZA 1/16W
R209	301 226 1516	MT-GLAZE 0.000 ZA 1/16W	R2381	301 224 9019	MT-GLAZE 10K JA 1/16W
R210	301 225 0312	MT-GLAZE 33 JA 1/16W	R2385	301 263 6928	MT-GLAZE 2K JA 1/16W
R216	301 225 0312	MT-GLAZE 33 JA 1/16W	R2386	301 224 9019	MT-GLAZE 10K JA 1/16W
R217	301 225 0312	MT-GLAZE 33 JA 1/16W	R2387	301 224 9316	MT-GLAZE 1K JA 1/16W
R218	301 226 1516	MT-GLAZE 0.000 ZA 1/16W	R2388	301 224 9316	MT-GLAZE 1K JA 1/16W
R2201	301 225 8110	MT-GLAZE 10 JA 1/16W	R2389	301 224 9316	MT-GLAZE 1K JA 1/16W
R2202	301 224 8814	MT-GLAZE 100 JA 1/16W	R2390	301 259 7823	MT-GLAZE 20K JA 1/16W
R2203	301 226 1516	MT-GLAZE 0.000 ZA 1/16W	R2391	301 224 9316	MT-GLAZE 1K JA 1/16W
R2204	301 224 8814	MT-GLAZE 100 JA 1/16W	R2392	301 224 9316	MT-GLAZE 1K JA 1/16W
R2206	301 225 8110	MT-GLAZE 10 JA 1/16W	R2393	301 224 9316	MT-GLAZE 1K JA 1/16W
R2207	301 226 1516	MT-GLAZE 0.000 ZA 1/16W	R2395	301 336 8818	MT-GLAZE 6.8K FA 1/16W
R2208	301 298 6518	MT-GLAZE 3.3K FA 1/16W	R2396	301 294 3016	MT-GLAZE 10K FA 1/16W
R2209	301 294 2613	MT-GLAZE 4.7K FA 1/16W	R2397	301 294 3016	MT-GLAZE 10K FA 1/16W
R2231	301 037 5017	MT-GLAZE 0.000 ZA 1/10W	R2398	301 263 6928	MT-GLAZE 2K JA 1/16W
R2234	301 225 8110	MT-GLAZE 10 JA 1/16W	R2501	301 225 8110	MT-GLAZE 10 JA 1/16W
R2236	301 224 9712	MT-GLAZE 22 JA 1/16W	R2502	301 226 1516	MT-GLAZE 0.000 ZA 1/16W
R2241	301 224 9712	MT-GLAZE 22 JA 1/16W	R2503	301 225 0213	MT-GLAZE 3.3K JA 1/16W
R2242	301 226 1516	MT-GLAZE 0.000 ZA 1/16W	R2504	301 259 2115	MT-GLAZE 1 JA 1/16W
R2243	301 226 1516	MT-GLAZE 0.000 ZA 1/16W	R2506	301 226 1516	MT-GLAZE 0.000 ZA 1/16W
R2301	301 225 0312	MT-GLAZE 33 JA 1/16W	R2507	301 225 0213	MT-GLAZE 3.3K JA 1/16W
R2302	301 224 9019	MT-GLAZE 10K JA 1/16W	R2508	301 259 2115	MT-GLAZE 1 JA 1/16W
R2303	301 224 9019	MT-GLAZE 10K JA 1/16W	R2509	301 226 1516	MT-GLAZE 0.000 ZA 1/16W
R2309	301 224 9019	MT-GLAZE 10K JA 1/16W	R2522	301 226 1516	MT-GLAZE 0.000 ZA 1/16W
R2311	301 224 9019	MT-GLAZE 10K JA 1/16W	R2523	301 224 8913	MT-GLAZE 100K JA 1/16W
R2313	301 224 9019	MT-GLAZE 10K JA 1/16W	R2524	301 226 1516	MT-GLAZE 0.000 ZA 1/16W
R2315	301 226 1516	MT-GLAZE 0.000 ZA 1/16W	R2526	301 226 1516	MT-GLAZE 0.000 ZA 1/16W

**Electrical Parts List**

Key No.	Part No.	Description	Key No.	Part No.	Description
R2531	301 225 8110	MT-GLAZE 10 JA 1/16W	R316	301 224 9019	MT-GLAZE 10K JA 1/16W
R2532	301 226 1516	MT-GLAZE 0.000 ZA 1/16W	R317	301 224 9019	MT-GLAZE 10K JA 1/16W
R2533	301 225 0213	MT-GLAZE 3.3K JA 1/16W	R318	301 298 5511	MT-GLAZE 8.2K FA 1/16W
R2534	301 259 2115	MT-GLAZE 1 JA 1/16W	R321	301 224 9712	MT-GLAZE 22 JA 1/16W
R2536	301 226 1516	MT-GLAZE 0.000 ZA 1/16W	R322	301 224 9712	MT-GLAZE 22 JA 1/16W
R2537	301 225 0213	MT-GLAZE 3.3K JA 1/16W	R323	301 225 0312	MT-GLAZE 33 JA 1/16W
R2538	301 259 2115	MT-GLAZE 1 JA 1/16W	R324	301 294 4518	MT-GLAZE 18K FA 1/16W
R2539	301 226 1516	MT-GLAZE 0.000 ZA 1/16W	R325	301 224 9019	MT-GLAZE 10K JA 1/16W
R2542	301 226 1516	MT-GLAZE 0.000 ZA 1/16W	R326	301 225 1814	MT-GLAZE 47 JA 1/16W
R2543	301 226 1516	MT-GLAZE 0.000 ZA 1/16W	R327	301 225 1814	MT-GLAZE 47 JA 1/16W
R2545	301 226 1516	MT-GLAZE 0.000 ZA 1/16W	R328	301 224 9712	MT-GLAZE 22 JA 1/16W
R2546	301 224 8913	MT-GLAZE 100K JA 1/16W	R329	301 225 1814	MT-GLAZE 47 JA 1/16W
R2548	301 226 1516	MT-GLAZE 0.000 ZA 1/16W	R336	301 225 1814	MT-GLAZE 47 JA 1/16W
R2549	301 224 8913	MT-GLAZE 100K JA 1/16W	R337	301 225 1814	MT-GLAZE 47 JA 1/16W
R2550	301 226 1516	MT-GLAZE 0.000 ZA 1/16W	R338	301 226 1516	MT-GLAZE 0.000 ZA 1/16W
R2552	301 226 1516	MT-GLAZE 0.000 ZA 1/16W	R340	301 226 1516	MT-GLAZE 0.000 ZA 1/16W
R2561	301 225 8110	MT-GLAZE 10 JA 1/16W	R341	301 226 1516	MT-GLAZE 0.000 ZA 1/16W
R2562	301 226 1516	MT-GLAZE 0.000 ZA 1/16W	R342	301 226 1516	MT-GLAZE 0.000 ZA 1/16W
R2563	301 225 0213	MT-GLAZE 3.3K JA 1/16W	R351	301 224 8814	MT-GLAZE 100 JA 1/16W
R2564	301 259 2115	MT-GLAZE 1 JA 1/16W	R352	301 224 8814	MT-GLAZE 100 JA 1/16W
R2566	301 226 1516	MT-GLAZE 0.000 ZA 1/16W	R353	301 224 8814	MT-GLAZE 100 JA 1/16W
R2567	301 225 0213	MT-GLAZE 3.3K JA 1/16W	R356	301 226 1516	MT-GLAZE 0.000 ZA 1/16W
R2568	301 259 2115	MT-GLAZE 1 JA 1/16W	R357	301 226 1516	MT-GLAZE 0.000 ZA 1/16W
R2569	301 226 1516	MT-GLAZE 0.000 ZA 1/16W	R358	301 226 1516	MT-GLAZE 0.000 ZA 1/16W
R265	301 226 1516	MT-GLAZE 0.000 ZA 1/16W	R359	301 226 1516	MT-GLAZE 0.000 ZA 1/16W
R266	301 225 1814	MT-GLAZE 47 JA 1/16W	R361	301 224 9019	MT-GLAZE 10K JA 1/16W
R267	301 226 1516	MT-GLAZE 0.000 ZA 1/16W	R362	301 224 9019	MT-GLAZE 10K JA 1/16W
R268	301 225 1814	MT-GLAZE 47 JA 1/16W	R366	301 224 9019	MT-GLAZE 10K JA 1/16W
R269	301 226 1516	MT-GLAZE 0.000 ZA 1/16W	R367	301 226 1516	MT-GLAZE 0.000 ZA 1/16W
R2800	301 256 0312	MT-GLAZE 820 JA 1/10W	R371	301 224 9019	MT-GLAZE 10K JA 1/16W
R2804	301 224 8913	MT-GLAZE 100K JA 1/16W	R372	301 224 9019	MT-GLAZE 10K JA 1/16W
R2805	301 226 1516	MT-GLAZE 0.000 ZA 1/16W	R373	301 224 9019	MT-GLAZE 10K JA 1/16W
R2806	301 226 1516	MT-GLAZE 0.000 ZA 1/16W	R376	301 224 9019	MT-GLAZE 10K JA 1/16W
R2807	301 226 1516	MT-GLAZE 0.000 ZA 1/16W	R377	301 224 9019	MT-GLAZE 10K JA 1/16W
R2808	301 226 1516	MT-GLAZE 0.000 ZA 1/16W	R378	301 224 9019	MT-GLAZE 10K JA 1/16W
R2809	301 226 1516	MT-GLAZE 0.000 ZA 1/16W	R379	301 224 9019	MT-GLAZE 10K JA 1/16W
R2810	301 224 8913	MT-GLAZE 100K JA 1/16W	R3801	301 224 8814	MT-GLAZE 100 JA 1/16W
R2811	301 226 1516	MT-GLAZE 0.000 ZA 1/16W	R3802	301 224 8814	MT-GLAZE 100 JA 1/16W
R2812	301 224 8913	MT-GLAZE 100K JA 1/16W	R3806	301 224 8814	MT-GLAZE 100 JA 1/16W
R2813	301 224 8913	MT-GLAZE 100K JA 1/16W	R3807	301 224 8814	MT-GLAZE 100 JA 1/16W
R2814	301 224 8913	MT-GLAZE 100K JA 1/16W	R3808	301 224 9019	MT-GLAZE 10K JA 1/16W
R2815	301 224 9316	MT-GLAZE 1K JA 1/16W	R381	301 224 9316	MT-GLAZE 1K JA 1/16W
R2816	301 224 9316	MT-GLAZE 1K JA 1/16W	R382	301 226 1516	MT-GLAZE 0.000 ZA 1/16W
R2817	301 224 9316	MT-GLAZE 1K JA 1/16W	R385	301 226 1516	MT-GLAZE 0.000 ZA 1/16W
R2818	301 224 9316	MT-GLAZE 1K JA 1/16W	R3856	301 226 1516	MT-GLAZE 0.000 ZA 1/16W
R2819	301 226 1516	MT-GLAZE 0.000 ZA 1/16W	R3857	301 226 1516	MT-GLAZE 0.000 ZA 1/16W
R2820	301 226 1516	MT-GLAZE 0.000 ZA 1/16W	R3858	301 226 1516	MT-GLAZE 0.000 ZA 1/16W
R2821	301 226 1516	MT-GLAZE 0.000 ZA 1/16W	R386	301 226 1516	MT-GLAZE 0.000 ZA 1/16W
R2822	301 226 1516	MT-GLAZE 0.000 ZA 1/16W	R3861	301 225 1210	MT-GLAZE 4.7K JA 1/16W
R2823	301 224 8814	MT-GLAZE 100 JA 1/16W	R3863	301 225 1210	MT-GLAZE 4.7K JA 1/16W
R2825	301 226 1516	MT-GLAZE 0.000 ZA 1/16W	R3865	301 225 1210	MT-GLAZE 4.7K JA 1/16W
R2831	301 260 4016	MT-GLAZE 68 JA 1/3W	R3866	301 226 1516	MT-GLAZE 0.000 ZA 1/16W
R2832	301 150 6014	MT-GLAZE 0.000 ZA 1/10W	R3867	301 226 1516	MT-GLAZE 0.000 ZA 1/16W
R2833	301 226 1516	MT-GLAZE 0.000 ZA 1/16W	R3868	301 226 1516	MT-GLAZE 0.000 ZA 1/16W
R2834	301 226 1516	MT-GLAZE 0.000 ZA 1/16W	R388	301 226 1516	MT-GLAZE 0.000 ZA 1/16W
R2837	301 224 9316	MT-GLAZE 1K JA 1/16W	R389	301 225 0213	MT-GLAZE 3.3K JA 1/16W
R2838	301 224 9019	MT-GLAZE 10K JA 1/16W	R392	301 265 4516	MT-GLAZE 68K FA 1/10W
R2839	301 224 9019	MT-GLAZE 10K JA 1/16W	R4001	301 265 0112	MT-GLAZE 39 FA 1/10W
R301	301 225 0114	MT-GLAZE 27K JA 1/16W	R4002	301 265 0112	MT-GLAZE 39 FA 1/10W
R303	301 224 9019	MT-GLAZE 10K JA 1/16W	R4003	301 265 0112	MT-GLAZE 39 FA 1/10W
R304	301 224 9019	MT-GLAZE 10K JA 1/16W	R4004	301 265 4912	MT-GLAZE 75 FA 1/10W
R308	401 344 1914	MT-GLAZE 10K DA 1/16W	R4006	301 265 4912	MT-GLAZE 75 FA 1/10W
R309	301 224 9019	MT-GLAZE 10K JA 1/16W	R4009	301 150 6014	MT-GLAZE 0.000 ZA 1/10W
R311	301 263 7420	MT-GLAZE 75 JA 1/16W	R4011	301 224 8814	MT-GLAZE 100 JA 1/16W
R312	301 263 7420	MT-GLAZE 75 JA 1/16W	R4012	301 224 9019	MT-GLAZE 10K JA 1/16W
R313	301 263 7420	MT-GLAZE 75 JA 1/16W	R406	301 224 9712	MT-GLAZE 22 JA 1/16W
R314	401 342 7314	MT-GLAZE 23.2K FA 1/16W	R407	301 224 9712	MT-GLAZE 22 JA 1/16W

Electrical Parts List

Key No. Part No. Description			Key No. Part No. Description		
R408	301 224 9712	MT-GLAZE 22 JA 1/16W	R4812	301 226 1516	MT-GLAZE 0.000 ZA 1/16W
R411	301 224 9712	MT-GLAZE 22 JA 1/16W	R4813	301 224 9019	MT-GLAZE 10K JA 1/16W
R412	301 224 9712	MT-GLAZE 22 JA 1/16W	R4814	301 224 9217	MT-GLAZE 15K JA 1/16W
R413	301 224 9712	MT-GLAZE 22 JA 1/16W	R4815	301 224 9019	MT-GLAZE 10K JA 1/16W
R414	301 224 9712	MT-GLAZE 22 JA 1/16W	R4816	301 225 0213	MT-GLAZE 3.3K JA 1/16W
R415	301 224 9712	MT-GLAZE 22 JA 1/16W	R4817	301 226 1516	MT-GLAZE 0.000 ZA 1/16W
R416	301 224 9712	MT-GLAZE 22 JA 1/16W	R4818	301 225 0213	MT-GLAZE 3.3K JA 1/16W
R417	301 224 9712	MT-GLAZE 22 JA 1/16W	R4819	301 224 9019	MT-GLAZE 10K JA 1/16W
R418	301 224 9712	MT-GLAZE 22 JA 1/16W	R4821	301 225 0213	MT-GLAZE 3.3K JA 1/16W
R419	301 224 9712	MT-GLAZE 22 JA 1/16W	R4822	301 226 1516	MT-GLAZE 0.000 ZA 1/16W
R420	301 224 9712	MT-GLAZE 22 JA 1/16W	R4828	301 226 1516	MT-GLAZE 0.000 ZA 1/16W
R421	301 224 9712	MT-GLAZE 22 JA 1/16W	R4829	301 226 1516	MT-GLAZE 0.000 ZA 1/16W
R422	301 224 9712	MT-GLAZE 22 JA 1/16W	R483	301 225 8110	MT-GLAZE 10 JA 1/16W
R423	301 224 9712	MT-GLAZE 22 JA 1/16W	R4830	301 226 1516	MT-GLAZE 0.000 ZA 1/16W
R424	301 224 9712	MT-GLAZE 22 JA 1/16W	R4831	301 226 1516	MT-GLAZE 0.000 ZA 1/16W
R425	301 224 9712	MT-GLAZE 22 JA 1/16W	R4832	301 226 1516	MT-GLAZE 0.000 ZA 1/16W
R426	301 224 9712	MT-GLAZE 22 JA 1/16W	R4834	301 224 9019	MT-GLAZE 10K JA 1/16W
R427	301 224 9712	MT-GLAZE 22 JA 1/16W	R4835	301 227 5612	MT-GLAZE 8.2K JA 1/16W
R428	301 224 9712	MT-GLAZE 22 JA 1/16W	R4836	301 227 5612	MT-GLAZE 8.2K JA 1/16W
R431	301 224 9712	MT-GLAZE 22 JA 1/16W	R4837	301 227 5612	MT-GLAZE 8.2K JA 1/16W
R432	301 224 9712	MT-GLAZE 22 JA 1/16W	R4838	301 227 5612	MT-GLAZE 8.2K JA 1/16W
R433	301 224 9712	MT-GLAZE 22 JA 1/16W	R4839	301 226 1516	MT-GLAZE 0.000 ZA 1/16W
R434	301 224 9712	MT-GLAZE 22 JA 1/16W	R4842	301 224 9019	MT-GLAZE 10K JA 1/16W
R435	301 224 9712	MT-GLAZE 22 JA 1/16W	R4843	301 225 3818	MT-GLAZE 1.5K JA 1/16W
R436	301 224 9712	MT-GLAZE 22 JA 1/16W	R4848	301 224 9019	MT-GLAZE 10K JA 1/16W
R437	301 224 9712	MT-GLAZE 22 JA 1/16W	R4850	301 225 1210	MT-GLAZE 4.7K JA 1/16W
R438	301 224 9712	MT-GLAZE 22 JA 1/16W	R4851	301 226 1516	MT-GLAZE 0.000 ZA 1/16W
R439	301 224 9712	MT-GLAZE 22 JA 1/16W	R4852	301 224 9019	MT-GLAZE 10K JA 1/16W
R441	301 226 1516	MT-GLAZE 0.000 ZA 1/16W	R4853	301 224 9019	MT-GLAZE 10K JA 1/16W
R442	301 224 9712	MT-GLAZE 22 JA 1/16W	R4854	301 226 1516	MT-GLAZE 0.000 ZA 1/16W
R444	301 224 9712	MT-GLAZE 22 JA 1/16W	R4855	301 224 8814	MT-GLAZE 100 JA 1/16W
R445	301 224 9712	MT-GLAZE 22 JA 1/16W	R4856	301 226 1516	MT-GLAZE 0.000 ZA 1/16W
R446	301 224 9712	MT-GLAZE 22 JA 1/16W	R4857	301 226 1516	MT-GLAZE 0.000 ZA 1/16W
R447	301 224 9712	MT-GLAZE 22 JA 1/16W	R4858	301 226 5415	MT-GLAZE 56 JA 1/16W
R4477	301 224 9019	MT-GLAZE 10K JA 1/16W	R4859	301 224 9019	MT-GLAZE 10K JA 1/16W
R448	301 224 9019	MT-GLAZE 10K JA 1/16W	R4860	301 224 9415	MT-GLAZE 1M JA 1/16W
R449	301 224 9019	MT-GLAZE 10K JA 1/16W	R4861	301 226 1516	MT-GLAZE 0.000 ZA 1/16W
R451	301 224 9019	MT-GLAZE 10K JA 1/16W	R4862	301 226 1516	MT-GLAZE 0.000 ZA 1/16W
R466	301 226 1516	MT-GLAZE 0.000 ZA 1/16W	R4863	301 226 1516	MT-GLAZE 0.000 ZA 1/16W
R4701	301 224 9712	MT-GLAZE 22 JA 1/16W	R4864	301 226 1516	MT-GLAZE 0.000 ZA 1/16W
R4703	301 224 9712	MT-GLAZE 22 JA 1/16W	R4867	301 224 9316	MT-GLAZE 1K JA 1/16W
R4709	301 224 9316	MT-GLAZE 1K JA 1/16W	R4882	301 224 9019	MT-GLAZE 10K JA 1/16W
R4711	301 224 9019	MT-GLAZE 10K JA 1/16W	R4883	301 224 9019	MT-GLAZE 10K JA 1/16W
R4712	301 226 1516	MT-GLAZE 0.000 ZA 1/16W	R4884	301 224 9019	MT-GLAZE 10K JA 1/16W
R4713	301 226 1516	MT-GLAZE 0.000 ZA 1/16W	R4885	301 224 9019	MT-GLAZE 10K JA 1/16W
R4714	301 226 1516	MT-GLAZE 0.000 ZA 1/16W	R4886	301 224 9019	MT-GLAZE 10K JA 1/16W
R4715	301 226 1516	MT-GLAZE 0.000 ZA 1/16W	R4887	301 224 9019	MT-GLAZE 10K JA 1/16W
R4716	301 224 9019	MT-GLAZE 10K JA 1/16W	R4890	301 225 1210	MT-GLAZE 4.7K JA 1/16W
R4717	301 226 1516	MT-GLAZE 0.000 ZA 1/16W	R4893	301 225 1210	MT-GLAZE 4.7K JA 1/16W
R4718	301 226 1516	MT-GLAZE 0.000 ZA 1/16W	R4894	301 225 1210	MT-GLAZE 4.7K JA 1/16W
R4719	301 226 1516	MT-GLAZE 0.000 ZA 1/16W	R4896	301 225 1210	MT-GLAZE 4.7K JA 1/16W
R4721	301 226 1516	MT-GLAZE 0.000 ZA 1/16W	R4897	301 225 1210	MT-GLAZE 4.7K JA 1/16W
R4722	301 226 1516	MT-GLAZE 0.000 ZA 1/16W	R4899	301 225 1210	MT-GLAZE 4.7K JA 1/16W
R4723	301 226 1516	MT-GLAZE 0.000 ZA 1/16W	R502	301 226 1516	MT-GLAZE 0.000 ZA 1/16W
R4724	301 226 1516	MT-GLAZE 0.000 ZA 1/16W	R503	301 226 1516	MT-GLAZE 0.000 ZA 1/16W
R4725	301 226 1516	MT-GLAZE 0.000 ZA 1/16W	R504	301 226 1516	MT-GLAZE 0.000 ZA 1/16W
R4729	301 224 9316	MT-GLAZE 1K JA 1/16W	R5044	301 224 9019	MT-GLAZE 10K JA 1/16W
R4730	301 224 9316	MT-GLAZE 1K JA 1/16W	R5045	301 224 8913	MT-GLAZE 100K JA 1/16W
R4801	301 224 9415	MT-GLAZE 1M JA 1/16W	R5046	301 224 8913	MT-GLAZE 100K JA 1/16W
R4802	301 225 0015	MT-GLAZE 270 JA 1/16W	R5047	301 224 9415	MT-GLAZE 1M JA 1/16W
R4803	301 224 9019	MT-GLAZE 10K JA 1/16W	R5048	301 224 9316	MT-GLAZE 1K JA 1/16W
R4804	301 226 1516	MT-GLAZE 0.000 ZA 1/16W	R5049	301 224 9910	MT-GLAZE 22K JA 1/16W
R4805	301 226 1516	MT-GLAZE 0.000 ZA 1/16W	R505	301 224 9316	MT-GLAZE 1K JA 1/16W
R4806	301 226 1516	MT-GLAZE 0.000 ZA 1/16W	R507	301 226 1516	MT-GLAZE 0.000 ZA 1/16W
R4807	301 226 1516	MT-GLAZE 0.000 ZA 1/16W	R509	301 226 1516	MT-GLAZE 0.000 ZA 1/16W
R4808	301 226 1516	MT-GLAZE 0.000 ZA 1/16W	R510	301 225 8110	MT-GLAZE 10 JA 1/16W
R4811	301 226 1516	MT-GLAZE 0.000 ZA 1/16W	R511	301 226 1516	MT-GLAZE 0.000 ZA 1/16W

Electrical Parts List

Key No.	Part No.	Description	Key No.	Part No.	Description
R512	301 224 9019	MT-GLAZE 10K JA 1/16W	R532	301 226 1516	MT-GLAZE 0.000 ZA 1/16W
R5203	301 225 8110	MT-GLAZE 10 JA 1/16W	R5323	301 226 1516	MT-GLAZE 0.000 ZA 1/16W
R5211	301 225 0312	MT-GLAZE 33 JA 1/16W	R5324	301 226 1516	MT-GLAZE 0.000 ZA 1/16W
R5212	301 225 0312	MT-GLAZE 33 JA 1/16W	R5325	301 294 2613	MT-GLAZE 4.7K FA 1/16W
R5213	301 225 0312	MT-GLAZE 33 JA 1/16W	R5326	301 294 2613	MT-GLAZE 4.7K FA 1/16W
R5214	301 224 9019	MT-GLAZE 10K JA 1/16W	R533	301 226 1516	MT-GLAZE 0.000 ZA 1/16W
R5215	301 225 0312	MT-GLAZE 33 JA 1/16W	R534	301 226 1516	MT-GLAZE 0.000 ZA 1/16W
R5216	301 225 0312	MT-GLAZE 33 JA 1/16W	R5341	301 225 8813	MT-GLAZE 39 JA 1/16W
R5217	301 224 9019	MT-GLAZE 10K JA 1/16W	R5342	301 225 8813	MT-GLAZE 39 JA 1/16W
R5218	301 225 8110	MT-GLAZE 10 JA 1/16W	R5343	301 225 8813	MT-GLAZE 39 JA 1/16W
R5221	301 226 1516	MT-GLAZE 0.000 ZA 1/16W	R5344	301 225 8813	MT-GLAZE 39 JA 1/16W
R5222	301 226 1516	MT-GLAZE 0.000 ZA 1/16W	R5345	301 225 8813	MT-GLAZE 39 JA 1/16W
R5223	301 224 9316	MT-GLAZE 1K JA 1/16W	R5346	301 225 8813	MT-GLAZE 39 JA 1/16W
R5224	301 224 9316	MT-GLAZE 1K JA 1/16W	R535	301 224 9316	MT-GLAZE 1K JA 1/16W
R5225	301 225 0213	MT-GLAZE 3.3K JA 1/16W	R5370	301 224 9712	MT-GLAZE 22 JA 1/16W
R5226	301 226 1516	MT-GLAZE 0.000 ZA 1/16W	R5371	301 224 9712	MT-GLAZE 22 JA 1/16W
R5227	301 226 1516	MT-GLAZE 0.000 ZA 1/16W	R5372	301 224 9712	MT-GLAZE 22 JA 1/16W
R5228	301 226 1516	MT-GLAZE 0.000 ZA 1/16W	R5373	301 226 1516	MT-GLAZE 0.000 ZA 1/16W
R5229	301 226 1516	MT-GLAZE 0.000 ZA 1/16W	R5374	301 226 1516	MT-GLAZE 0.000 ZA 1/16W
R5231	301 226 1516	MT-GLAZE 0.000 ZA 1/16W	R5375	301 294 2613	MT-GLAZE 4.7K FA 1/16W
R5232	301 226 1516	MT-GLAZE 0.000 ZA 1/16W	R5376	301 294 2613	MT-GLAZE 4.7K FA 1/16W
R5233	301 226 1516	MT-GLAZE 0.000 ZA 1/16W	R538	301 226 1516	MT-GLAZE 0.000 ZA 1/16W
R5234	301 226 1516	MT-GLAZE 0.000 ZA 1/16W	R540	301 225 8110	MT-GLAZE 10 JA 1/16W
R5235	301 224 9019	MT-GLAZE 10K JA 1/16W	R541	301 226 1516	MT-GLAZE 0.000 ZA 1/16W
R5236	301 224 9019	MT-GLAZE 10K JA 1/16W	R542	301 224 9019	MT-GLAZE 10K JA 1/16W
R5237	301 224 9316	MT-GLAZE 1K JA 1/16W	R5501	301 190 1710	MT-GLAZE 0.000 ZA 1W
R5238	301 224 9316	MT-GLAZE 1K JA 1/16W	R5502	301 226 1516	MT-GLAZE 0.000 ZA 1/16W
R5239	301 224 9316	MT-GLAZE 1K JA 1/16W	R5504	301 226 1516	MT-GLAZE 0.000 ZA 1/16W
R5240	301 224 9019	MT-GLAZE 10K JA 1/16W	R5507	301 036 9917	MT-GLAZE 560 JA 1/8W
R5242	301 225 0312	MT-GLAZE 33 JA 1/16W	R5509	301 226 1516	MT-GLAZE 0.000 ZA 1/16W
R5244	301 226 1516	MT-GLAZE 0.000 ZA 1/16W	R5511	301 226 1516	MT-GLAZE 0.000 ZA 1/16W
R5245	301 226 1516	MT-GLAZE 0.000 ZA 1/16W	R5512	301 226 1516	MT-GLAZE 0.000 ZA 1/16W
R5246	301 226 1516	MT-GLAZE 0.000 ZA 1/16W	R5521	301 190 1710	MT-GLAZE 0.000 ZA 1W
R5247	301 226 1516	MT-GLAZE 0.000 ZA 1/16W	R5522	301 226 1516	MT-GLAZE 0.000 ZA 1/16W
R5248	301 224 9316	MT-GLAZE 1K JA 1/16W	R5524	301 226 1516	MT-GLAZE 0.000 ZA 1/16W
R5253	301 225 0213	MT-GLAZE 3.3K JA 1/16W	R5527	301 036 9917	MT-GLAZE 560 JA 1/8W
R5254	301 224 9019	MT-GLAZE 10K JA 1/16W	R5529	301 226 1516	MT-GLAZE 0.000 ZA 1/16W
R5255	301 224 9019	MT-GLAZE 10K JA 1/16W	R5531	301 226 1516	MT-GLAZE 0.000 ZA 1/16W
R5256	301 224 9316	MT-GLAZE 1K JA 1/16W	R5532	301 226 1516	MT-GLAZE 0.000 ZA 1/16W
R5257	301 301 3510	MT-GLAZE 200 JA 1/16W	R5533	301 037 5017	MT-GLAZE 0.000 ZA 1/10W
R5258	301 224 9316	MT-GLAZE 1K JA 1/16W	R5534	301 224 9316	MT-GLAZE 1K JA 1/16W
R5259	301 224 9019	MT-GLAZE 10K JA 1/16W	R5535	301 225 0114	MT-GLAZE 27K JA 1/16W
R5261	301 225 0312	MT-GLAZE 33 JA 1/16W	R5541	301 224 9019	MT-GLAZE 10K JA 1/16W
R5262	301 224 9019	MT-GLAZE 10K JA 1/16W	R5542	301 224 9019	MT-GLAZE 10K JA 1/16W
R5263	301 225 8110	MT-GLAZE 10 JA 1/16W	R5543	301 226 1516	MT-GLAZE 0.000 ZA 1/16W
R5264	301 224 9019	MT-GLAZE 10K JA 1/16W	R5545	301 224 8814	MT-GLAZE 100 JA 1/16W
R5265	301 224 9712	MT-GLAZE 22 JA 1/16W	R5547	301 225 0619	MT-GLAZE 5.6K JA 1/16W
R5267	301 225 8110	MT-GLAZE 10 JA 1/16W	R5548	301 225 3818	MT-GLAZE 1.5K JA 1/16W
R5268	301 225 8110	MT-GLAZE 10 JA 1/16W	R5549	301 263 6928	MT-GLAZE 2K JA 1/16W
R5271	301 225 8110	MT-GLAZE 10 JA 1/16W	R5551	301 224 9316	MT-GLAZE 1K JA 1/16W
R5272	301 225 8110	MT-GLAZE 10 JA 1/16W	R5553	301 224 9019	MT-GLAZE 10K JA 1/16W
R5273	301 224 9019	MT-GLAZE 10K JA 1/16W	R5554	301 224 8913	MT-GLAZE 100K JA 1/16W
R5274	301 224 9019	MT-GLAZE 10K JA 1/16W	R5555	301 224 9019	MT-GLAZE 10K JA 1/16W
R5278	301 224 9019	MT-GLAZE 10K JA 1/16W	R5556	301 224 8913	MT-GLAZE 100K JA 1/16W
R5279	301 224 9019	MT-GLAZE 10K JA 1/16W	R5559	301 234 9917	MT-GLAZE 6.8K JA 1/16W
R5281	301 224 9019	MT-GLAZE 10K JA 1/16W	R5560	301 234 9917	MT-GLAZE 6.8K JA 1/16W
R5282	301 224 9019	MT-GLAZE 10K JA 1/16W	R5561	301 190 1710	MT-GLAZE 0.000 ZA 1W
R5283	301 225 8813	MT-GLAZE 39 JA 1/16W	R5562	301 224 9316	MT-GLAZE 1K JA 1/16W
R5284	301 225 8813	MT-GLAZE 39 JA 1/16W	R5563	301 225 1210	MT-GLAZE 4.7K JA 1/16W
R5285	301 225 8813	MT-GLAZE 39 JA 1/16W	R5564	301 224 9316	MT-GLAZE 1K JA 1/16W
R5288	301 224 9019	MT-GLAZE 10K JA 1/16W	R5566	301 225 1210	MT-GLAZE 4.7K JA 1/16W
R5291	301 226 1516	MT-GLAZE 0.000 ZA 1/16W	R5567	301 036 9917	MT-GLAZE 560 JA 1/8W
R5293	301 037 5017	MT-GLAZE 0.000 ZA 1/10W	R5569	301 226 1516	MT-GLAZE 0.000 ZA 1/16W
R5294	301 224 8814	MT-GLAZE 100 JA 1/16W	R5571	301 226 1516	MT-GLAZE 0.000 ZA 1/16W
R5295	301 298 5511	MT-GLAZE 8.2K FA 1/16W	R5572	301 226 1516	MT-GLAZE 0.000 ZA 1/16W
R5296	301 298 5818	MT-GLAZE 9.1K FA 1/16W	R5573	301 226 1516	MT-GLAZE 0.000 ZA 1/16W
R5297	301 294 3511	MT-GLAZE 27K FA 1/16W	R5574	301 226 1516	MT-GLAZE 0.000 ZA 1/16W

## Electrical Parts List

Key No.	Part No.	Description	Key No.	Part No.	Description
R5575	301 225 8110	MT-GLAZE 10 JA 1/16W	R5872	301 338 8113	MT-GLAZE 1.2K FA 1/16W
R5576	301 225 8110	MT-GLAZE 10 JA 1/16W	R5873	301 237 2915	MT-GLAZE 51 JA 1/16W
R5577	301 225 8110	MT-GLAZE 10 JA 1/16W	R5874	301 225 1319	MT-GLAZE 470 JA 1/16W
R5578	301 225 8110	MT-GLAZE 10 JA 1/16W	R5882	301 224 9316	MT-GLAZE 1K JA 1/16W
R5601	301 224 9019	MT-GLAZE 10K JA 1/16W	R5893	301 224 9019	MT-GLAZE 10K JA 1/16W
R5602	301 224 8913	MT-GLAZE 100K JA 1/16W	R5894	301 224 9910	MT-GLAZE 22K JA 1/16W
R5604	301 224 9415	MT-GLAZE 1M JA 1/16W	R5895	301 225 8011	MT-GLAZE 330 JA 1/16W
R5606	301 225 8110	MT-GLAZE 10 JA 1/16W	R5896	301 225 8011	MT-GLAZE 330 JA 1/16W
R5607	301 225 0213	MT-GLAZE 3.3K JA 1/16W	R5897	301 225 8011	MT-GLAZE 330 JA 1/16W
R5610	301 225 0114	MT-GLAZE 27K JA 1/16W	R5898	301 225 8011	MT-GLAZE 330 JA 1/16W
R5613	301 226 1516	MT-GLAZE 0.000 ZA 1/16W	R593	301 224 9019	MT-GLAZE 10K JA 1/16W
R5614	301 225 7915	MT-GLAZE 220 JA 1/16W	R594	301 224 9019	MT-GLAZE 10K JA 1/16W
R5615	301 224 9514	MT-GLAZE 2.2K JA 1/16W	R595	301 224 9019	MT-GLAZE 10K JA 1/16W
R562	301 226 1516	MT-GLAZE 0.000 ZA 1/16W	R596	301 235 0012	MT-GLAZE 7.5K JA 1/16W
R563	301 226 1516	MT-GLAZE 0.000 ZA 1/16W	R597	301 301 3718	MT-GLAZE 2K FA 1/16W
R564	301 226 1516	MT-GLAZE 0.000 ZA 1/16W	R598	301 301 3718	MT-GLAZE 2K FA 1/16W
R565	301 224 9316	MT-GLAZE 1K JA 1/16W	R599	301 226 1516	MT-GLAZE 0.000 ZA 1/16W
R566	301 226 1516	MT-GLAZE 0.000 ZA 1/16W	R6501	301 225 8110	MT-GLAZE 10 JA 1/16W
R5682	301 224 9019	MT-GLAZE 10K JA 1/16W	R6502	301 225 8110	MT-GLAZE 10 JA 1/16W
R5686	301 294 3214	MT-GLAZE 47K FA 1/16W	R6505	301 102 7410	MT-GLAZE 10 JA 1W
R5687	401 343 0512	MT-GLAZE 7.5K FA 1/16W	R6506	301 102 7410	MT-GLAZE 10 JA 1W
R5688	301 287 2227	MT-GLAZE 22K FA 1/16W	R6508	301 226 1516	MT-GLAZE 0.000 ZA 1/16W
R570	301 225 8110	MT-GLAZE 10 JA 1/16W	R6509	301 224 9316	MT-GLAZE 1K JA 1/16W
R571	301 226 1516	MT-GLAZE 0.000 ZA 1/16W	R6511	301 036 9917	MT-GLAZE 560 JA 1/8W
R572	301 224 9019	MT-GLAZE 10K JA 1/16W	R6512	301 224 9019	MT-GLAZE 10K JA 1/16W
R5751	301 224 9019	MT-GLAZE 10K JA 1/16W	R6521	301 102 7410	MT-GLAZE 10 JA 1W
R5752	301 225 1210	MT-GLAZE 4.7K JA 1/16W	R6522	301 102 7410	MT-GLAZE 10 JA 1W
R5753	301 224 9316	MT-GLAZE 1K JA 1/16W	R6528	301 226 1516	MT-GLAZE 0.000 ZA 1/16W
R5754	301 224 9019	MT-GLAZE 10K JA 1/16W	R6529	301 224 9316	MT-GLAZE 1K JA 1/16W
R5800	301 224 8814	MT-GLAZE 100 JA 1/16W	R6531	301 036 9917	MT-GLAZE 560 JA 1/8W
R5807	301 224 8814	MT-GLAZE 100 JA 1/16W	R6533	301 225 8110	MT-GLAZE 10 JA 1/16W
R5808	301 226 1516	MT-GLAZE 0.000 ZA 1/16W	R6534	301 224 8913	MT-GLAZE 100K JA 1/16W
R5809	301 226 1516	MT-GLAZE 0.000 ZA 1/16W	R6541	301 225 8110	MT-GLAZE 10 JA 1/16W
R5810	301 226 1516	MT-GLAZE 0.000 ZA 1/16W	R6542	301 225 8110	MT-GLAZE 10 JA 1/16W
R5821	301 225 2118	MT-GLAZE 12K JA 1/16W	R6544	301 225 8110	MT-GLAZE 10 JA 1/16W
R5822	301 224 8913	MT-GLAZE 100K JA 1/16W	R6548	301 224 8913	MT-GLAZE 100K JA 1/16W
R5823	301 294 3016	MT-GLAZE 10K FA 1/16W	R6551	301 226 1516	MT-GLAZE 0.000 ZA 1/16W
R5824	301 294 3511	MT-GLAZE 27K FA 1/16W	R6552	301 226 1516	MT-GLAZE 0.000 ZA 1/16W
R5831	301 225 8011	MT-GLAZE 330 JA 1/16W	R6554	301 226 1516	MT-GLAZE 0.000 ZA 1/16W
R5832	301 225 8011	MT-GLAZE 330 JA 1/16W	R6556	301 226 1516	MT-GLAZE 0.000 ZA 1/16W
R5841	301 224 8913	MT-GLAZE 100K JA 1/16W	R6557	301 226 1516	MT-GLAZE 0.000 ZA 1/16W
R5842	301 234 9917	MT-GLAZE 6.8K JA 1/16W	R6558	301 226 1516	MT-GLAZE 0.000 ZA 1/16W
R5843	301 294 3016	MT-GLAZE 10K FA 1/16W	R6561	301 225 8110	MT-GLAZE 10 JA 1/16W
R5844	401 342 7314	MT-GLAZE 23.2K FA 1/16W	R6562	301 224 8913	MT-GLAZE 100K JA 1/16W
R5845	301 284 3326	MT-GLAZE 3K FA 1/16W	R6566	301 225 8110	MT-GLAZE 10 JA 1/16W
R5846	301 225 8011	MT-GLAZE 330 JA 1/16W	R6567	301 224 8913	MT-GLAZE 100K JA 1/16W
R5847	301 224 9019	MT-GLAZE 10K JA 1/16W	R6601	301 224 8913	MT-GLAZE 100K JA 1/16W
R5848	301 224 9910	MT-GLAZE 22K JA 1/16W	R6602	301 234 9917	MT-GLAZE 6.8K JA 1/16W
R5849	301 226 1516	MT-GLAZE 0.000 ZA 1/16W	R6603	301 294 3016	MT-GLAZE 10K FA 1/16W
R5850	301 225 8011	MT-GLAZE 330 JA 1/16W	R6604	401 342 7314	MT-GLAZE 23.2K FA 1/16W
R5853	301 225 8011	MT-GLAZE 330 JA 1/16W	R6605	301 284 3326	MT-GLAZE 3K FA 1/16W
R5854	301 224 9019	MT-GLAZE 10K JA 1/16W	△ R6624	945 030 1057	PROTECTOR,IC 3.8A 72V
R5855	301 224 9910	MT-GLAZE 22K JA 1/16W	R6625	301 237 2915	MT-GLAZE 51 JA 1/16W
R5856	301 225 8011	MT-GLAZE 330 JA 1/16W	R6630	301 224 8913	MT-GLAZE 100K JA 1/16W
R5857	301 225 8011	MT-GLAZE 330 JA 1/16W	R6635	301 225 0213	MT-GLAZE 3.3K JA 1/16W
R5858	301 224 9019	MT-GLAZE 10K JA 1/16W	R6640	301 301 7211	MT-GLAZE 3.6K JA 1/16W
R5859	301 224 9910	MT-GLAZE 22K JA 1/16W	R6645	301 284 3613	MT-GLAZE 16K JA 1/16W
R5860	301 225 8011	MT-GLAZE 330 JA 1/16W	R6651	301 224 9316	MT-GLAZE 1K JA 1/16W
R5861	301 234 9917	MT-GLAZE 6.8K JA 1/16W	R6652	301 238 4215	MT-GLAZE 1.5K JA 1/3W
R5862	301 224 9514	MT-GLAZE 2.2K JA 1/16W	R6653	301 255 9712	MT-GLAZE 82K JA 1/10W
R5863	301 294 3016	MT-GLAZE 10K FA 1/16W	R6654	301 225 0114	MT-GLAZE 27K JA 1/16W
R5864	301 298 5511	MT-GLAZE 8.2K FA 1/16W	R6655	301 276 0415	MT-GLAZE 10M JA 1/16W
R5865	301 224 9019	MT-GLAZE 10K JA 1/16W	R6656	301 224 9019	MT-GLAZE 10K JA 1/16W
R5866	301 225 1210	MT-GLAZE 4.7K JA 1/16W	R6657	301 225 0114	MT-GLAZE 27K JA 1/16W
R5867	301 225 2019	MT-GLAZE 680 JA 1/16W	R6658	301 225 0114	MT-GLAZE 27K JA 1/16W
R5869	301 224 9910	MT-GLAZE 22K JA 1/16W	R6659	301 224 9019	MT-GLAZE 10K JA 1/16W
R5871	301 224 8913	MT-GLAZE 100K JA 1/16W	R6660	301 276 3010	MT-GLAZE 75K JA 1/16W



Electrical Parts List

Key No.	Part No.	Description	Key No.	Part No.	Description
R6666	301 035 4111	MT-GLAZE 0.000 ZA 1/8W	R7810	301 226 1516	MT-GLAZE 0.000 ZA 1/16W
R6667	301 224 9019	MT-GLAZE 10K JA 1/16W	R7814	301 226 1516	MT-GLAZE 0.000 ZA 1/16W
R6668	301 105 0012	MT-GLAZE 1K JA 1/2W	R7816	301 226 1516	MT-GLAZE 0.000 ZA 1/16W
R6677	301 225 7618	MT-GLAZE 1 JA 1W	R7817	301 226 1516	MT-GLAZE 0.000 ZA 1/16W
△ R6684	945 030 1057	PROTECTOR,IC 3.8A 72V	R7818	301 226 1516	MT-GLAZE 0.000 ZA 1/16W
R6689	301 259 7823	MT-GLAZE 20K JA 1/16W	R7819	301 224 9811	MT-GLAZE 220K JA 1/16W
R6690	301 256 5317	MT-GLAZE 56K JA 1/10W	R7820	301 226 1516	MT-GLAZE 0.000 ZA 1/16W
R6691	301 224 9019	MT-GLAZE 10K JA 1/16W	R7821	301 261 1014	MT-GLAZE 2.4K JA 1/16W
R7608	301 226 1516	MT-GLAZE 0.000 ZA 1/16W	R7822	301 294 3313	MT-GLAZE 15K FA 1/16W
R7609	301 224 9019	MT-GLAZE 10K JA 1/16W	R7823	301 328 3913	MT-GLAZE 36K FA 1/16W
R7611	301 224 9019	MT-GLAZE 10K JA 1/16W	R7824	301 224 9316	MT-GLAZE 1K JA 1/16W
R7701	301 276 0415	MT-GLAZE 10M JA 1/16W	R7826	301 224 9316	MT-GLAZE 1K JA 1/16W
R7702	301 237 2915	MT-GLAZE 51 JA 1/16W	R7828	301 294 2811	MT-GLAZE 2.2K FA 1/16W
R7703	301 225 0114	MT-GLAZE 27K JA 1/16W	R7831	301 336 8818	MT-GLAZE 6.8K FA 1/16W
R7704	301 224 9019	MT-GLAZE 10K JA 1/16W	R7832	301 301 3718	MT-GLAZE 2K FA 1/16W
R7705	301 224 9019	MT-GLAZE 10K JA 1/16W	R7834	301 226 1516	MT-GLAZE 0.000 ZA 1/16W
R7706	301 261 1113	MT-GLAZE 24K JA 1/16W	R7835	301 226 1516	MT-GLAZE 0.000 ZA 1/16W
R7707	301 224 9514	MT-GLAZE 2.2K JA 1/16W	R7837	301 224 9019	MT-GLAZE 10K JA 1/16W
R7708	301 234 9917	MT-GLAZE 6.8K JA 1/16W	R7838	301 224 9316	MT-GLAZE 1K JA 1/16W
R7711	301 224 9019	MT-GLAZE 10K JA 1/16W	R7840	301 226 1516	MT-GLAZE 0.000 ZA 1/16W
R7712	301 224 9019	MT-GLAZE 10K JA 1/16W	R7841	301 261 1014	MT-GLAZE 2.4K JA 1/16W
R7713	301 224 9316	MT-GLAZE 1K JA 1/16W	R7842	301 294 3313	MT-GLAZE 15K FA 1/16W
R7714	301 234 9917	MT-GLAZE 6.8K JA 1/16W	R7843	301 294 3214	MT-GLAZE 47K FA 1/16W
R7715	301 299 5312	MT-GLAZE 12K FA 1/16W	R7844	301 224 9316	MT-GLAZE 1K JA 1/16W
R7717	301 224 9019	MT-GLAZE 10K JA 1/16W	R7846	301 224 9316	MT-GLAZE 1K JA 1/16W
R7718	301 224 9316	MT-GLAZE 1K JA 1/16W	R7848	301 298 6518	MT-GLAZE 3.3K FA 1/16W
R7721	301 276 0415	MT-GLAZE 10M JA 1/16W	R7849	301 226 1516	MT-GLAZE 0.000 ZA 1/16W
R7722	301 237 2915	MT-GLAZE 51 JA 1/16W	R7850	301 336 8818	MT-GLAZE 6.8K FA 1/16W
R7723	301 225 0114	MT-GLAZE 27K JA 1/16W	R7851	301 336 8818	MT-GLAZE 6.8K FA 1/16W
R7724	301 224 9019	MT-GLAZE 10K JA 1/16W	R7852	301 301 3718	MT-GLAZE 2K FA 1/16W
R7725	301 224 9019	MT-GLAZE 10K JA 1/16W	R7855	301 224 9019	MT-GLAZE 10K JA 1/16W
R7726	301 261 1113	MT-GLAZE 24K JA 1/16W	R7857	301 224 9019	MT-GLAZE 10K JA 1/16W
R7727	301 224 9514	MT-GLAZE 2.2K JA 1/16W	R7858	301 224 9316	MT-GLAZE 1K JA 1/16W
R7728	301 234 9917	MT-GLAZE 6.8K JA 1/16W	R7861	301 261 1014	MT-GLAZE 2.4K JA 1/16W
R7731	301 224 9019	MT-GLAZE 10K JA 1/16W	R7862	301 294 3313	MT-GLAZE 15K FA 1/16W
R7732	301 224 9019	MT-GLAZE 10K JA 1/16W	R7863	301 328 3913	MT-GLAZE 36K FA 1/16W
R7733	301 224 9316	MT-GLAZE 1K JA 1/16W	R7864	301 224 9316	MT-GLAZE 1K JA 1/16W
R7734	301 234 9917	MT-GLAZE 6.8K JA 1/16W	R7866	301 224 9316	MT-GLAZE 1K JA 1/16W
R7735	301 299 5312	MT-GLAZE 12K FA 1/16W	R7867	301 294 2811	MT-GLAZE 2.2K FA 1/16W
R7737	301 224 9019	MT-GLAZE 10K JA 1/16W	R7871	301 336 8818	MT-GLAZE 6.8K FA 1/16W
R7738	301 224 9316	MT-GLAZE 1K JA 1/16W	R7872	301 301 3718	MT-GLAZE 2K FA 1/16W
R7740	301 224 9019	MT-GLAZE 10K JA 1/16W	R7881	301 261 1014	MT-GLAZE 2.4K JA 1/16W
R7741	301 224 9316	MT-GLAZE 1K JA 1/16W	R7882	301 294 3313	MT-GLAZE 15K FA 1/16W
R7746	301 224 9019	MT-GLAZE 10K JA 1/16W	R7883	301 287 2227	MT-GLAZE 22K FA 1/16W
R7747	301 224 9316	MT-GLAZE 1K JA 1/16W	R7884	301 224 9316	MT-GLAZE 1K JA 1/16W
R7750	301 224 9019	MT-GLAZE 10K JA 1/16W	R7886	301 224 9316	MT-GLAZE 1K JA 1/16W
R7751	301 224 9316	MT-GLAZE 1K JA 1/16W	R7888	301 298 6518	MT-GLAZE 3.3K FA 1/16W
R7754	301 224 9019	MT-GLAZE 10K JA 1/16W	R7890	301 299 2410	MT-GLAZE 5.6K FA 1/16W
R7755	301 224 9316	MT-GLAZE 1K JA 1/16W	R7891	301 299 5114	MT-GLAZE 6.2K FA 1/16W
R7781	301 234 9917	MT-GLAZE 6.8K JA 1/16W	R7892	301 301 3718	MT-GLAZE 2K FA 1/16W
R7784	301 224 9316	MT-GLAZE 1K JA 1/16W	R7894	301 224 9019	MT-GLAZE 10K JA 1/16W
R7785	301 225 0114	MT-GLAZE 27K JA 1/16W	R7895	301 224 9316	MT-GLAZE 1K JA 1/16W
R7786	301 224 9316	MT-GLAZE 1K JA 1/16W	R7897	301 226 1516	MT-GLAZE 0.000 ZA 1/16W
R7787	301 225 0114	MT-GLAZE 27K JA 1/16W	R7898	301 226 1516	MT-GLAZE 0.000 ZA 1/16W
R7788	301 224 9019	MT-GLAZE 10K JA 1/16W	R7903	301 226 1516	MT-GLAZE 0.000 ZA 1/16W
R7789	301 225 0114	MT-GLAZE 27K JA 1/16W	R7904	301 226 1516	MT-GLAZE 0.000 ZA 1/16W
R7792	301 224 9019	MT-GLAZE 10K JA 1/16W	R7906	301 226 1516	MT-GLAZE 0.000 ZA 1/16W
R7793	301 224 9019	MT-GLAZE 10K JA 1/16W	R7907	301 226 1516	MT-GLAZE 0.000 ZA 1/16W
R7801	301 225 8110	MT-GLAZE 10 JA 1/16W	R7908	301 226 1516	MT-GLAZE 0.000 ZA 1/16W
R7802	301 225 8110	MT-GLAZE 10 JA 1/16W	R7909	301 226 1516	MT-GLAZE 0.000 ZA 1/16W
R7803	301 226 1516	MT-GLAZE 0.000 ZA 1/16W	R7911	301 226 1516	MT-GLAZE 0.000 ZA 1/16W
R7804	301 226 1516	MT-GLAZE 0.000 ZA 1/16W	R7912	301 226 1516	MT-GLAZE 0.000 ZA 1/16W
R7805	301 226 1516	MT-GLAZE 0.000 ZA 1/16W	R7913	301 226 1516	MT-GLAZE 0.000 ZA 1/16W
R7806	301 226 1516	MT-GLAZE 0.000 ZA 1/16W	R7914	301 226 1516	MT-GLAZE 0.000 ZA 1/16W
R7807	301 226 1516	MT-GLAZE 0.000 ZA 1/16W	R7921	301 261 1014	MT-GLAZE 2.4K JA 1/16W
R7808	301 226 1516	MT-GLAZE 0.000 ZA 1/16W	R7922	301 294 3313	MT-GLAZE 15K FA 1/16W
R7809	301 226 1516	MT-GLAZE 0.000 ZA 1/16W	R7923	301 328 3913	MT-GLAZE 36K FA 1/16W

Electrical Parts List

Key No.	Part No.	Description	Key No.	Part No.	Description
R7924	301 224 9316	MT-GLAZE 1K JA 1/16W	R8096	301 226 1516	MT-GLAZE 0.000 ZA 1/16W
R7926	301 224 9316	MT-GLAZE 1K JA 1/16W	R8097	301 226 1516	MT-GLAZE 0.000 ZA 1/16W
R7928	301 294 2811	MT-GLAZE 2.2K FA 1/16W	R8200	301 226 1516	MT-GLAZE 0.000 ZA 1/16W
R7931	301 336 8818	MT-GLAZE 6.8K FA 1/16W	R8202	301 225 0015	MT-GLAZE 270 JA 1/16W
R7932	301 301 3718	MT-GLAZE 2K FA 1/16W	R8203	301 225 0015	MT-GLAZE 270 JA 1/16W
R7934	301 224 9019	MT-GLAZE 10K JA 1/16W	R8204	301 225 0015	MT-GLAZE 270 JA 1/16W
R7935	301 224 9316	MT-GLAZE 1K JA 1/16W	R8205	301 226 1516	MT-GLAZE 0.000 ZA 1/16W
R7937	301 226 1516	MT-GLAZE 0.000 ZA 1/16W	R8206	301 226 1516	MT-GLAZE 0.000 ZA 1/16W
R7938	301 226 1516	MT-GLAZE 0.000 ZA 1/16W	R8207	301 226 1516	MT-GLAZE 0.000 ZA 1/16W
R7942	301 226 1516	MT-GLAZE 0.000 ZA 1/16W	R8208	301 226 1516	MT-GLAZE 0.000 ZA 1/16W
R7943	301 226 1516	MT-GLAZE 0.000 ZA 1/16W	R8209	301 226 1516	MT-GLAZE 0.000 ZA 1/16W
R7944	301 226 1516	MT-GLAZE 0.000 ZA 1/16W	R821	301 226 1516	MT-GLAZE 0.000 ZA 1/16W
R7945	301 226 1516	MT-GLAZE 0.000 ZA 1/16W	R8212	301 225 1913	MT-GLAZE 68 JA 1/16W
R7948	301 226 1516	MT-GLAZE 0.000 ZA 1/16W	R8213	301 226 5514	MT-GLAZE 120 JA 1/16W
R7949	301 226 1516	MT-GLAZE 0.000 ZA 1/16W	R8214	301 226 5514	MT-GLAZE 120 JA 1/16W
R7952	301 226 1516	MT-GLAZE 0.000 ZA 1/16W	R822	301 226 1516	MT-GLAZE 0.000 ZA 1/16W
R7953	301 226 1516	MT-GLAZE 0.000 ZA 1/16W	R823	301 226 1516	MT-GLAZE 0.000 ZA 1/16W
R8001	301 264 5316	MT-GLAZE 2.2 JA 1/10W	R8231	301 263 7420	MT-GLAZE 75 JA 1/16W
R8002	301 264 5316	MT-GLAZE 2.2 JA 1/10W	R8233	301 263 7420	MT-GLAZE 75 JA 1/16W
R8003	301 226 1516	MT-GLAZE 0.000 ZA 1/16W	R8234	301 263 7420	MT-GLAZE 75 JA 1/16W
R8004	301 224 9415	MT-GLAZE 1M JA 1/16W	R8235	301 263 7420	MT-GLAZE 75 JA 1/16W
R8005	301 225 8110	MT-GLAZE 10 JA 1/16W	R8237	301 263 7420	MT-GLAZE 75 JA 1/16W
R8007	301 225 1210	MT-GLAZE 4.7K JA 1/16W	R8246	301 225 8110	MT-GLAZE 10 JA 1/16W
R8008	301 225 8110	MT-GLAZE 10 JA 1/16W	R8247	301 225 8110	MT-GLAZE 10 JA 1/16W
R8009	301 225 1210	MT-GLAZE 4.7K JA 1/16W	R8265	301 226 1516	MT-GLAZE 0.000 ZA 1/16W
R801	301 224 9019	MT-GLAZE 10K JA 1/16W	R8267	301 263 7420	MT-GLAZE 75 JA 1/16W
R8010	301 225 1418	MT-GLAZE 47K JA 1/16W	R835	301 224 9316	MT-GLAZE 1K JA 1/16W
R8011	301 225 1418	MT-GLAZE 47K JA 1/16W	R836	301 224 9019	MT-GLAZE 10K JA 1/16W
R8014	301 225 1210	MT-GLAZE 4.7K JA 1/16W	R837	301 224 9316	MT-GLAZE 1K JA 1/16W
R8015	301 226 1516	MT-GLAZE 0.000 ZA 1/16W	R838	301 224 9019	MT-GLAZE 10K JA 1/16W
R8016	301 226 1516	MT-GLAZE 0.000 ZA 1/16W	R842	301 224 9316	MT-GLAZE 1K JA 1/16W
R8017	301 226 1516	MT-GLAZE 0.000 ZA 1/16W	R843	301 224 9019	MT-GLAZE 10K JA 1/16W
R8018	301 225 1210	MT-GLAZE 4.7K JA 1/16W	R851	301 226 1516	MT-GLAZE 0.000 ZA 1/16W
R802	301 224 9019	MT-GLAZE 10K JA 1/16W	R852	301 226 1516	MT-GLAZE 0.000 ZA 1/16W
R8023	301 264 5316	MT-GLAZE 2.2 JA 1/10W	R853	301 226 1516	MT-GLAZE 0.000 ZA 1/16W
R8029	301 225 0312	MT-GLAZE 33 JA 1/16W	R854	301 226 1516	MT-GLAZE 0.000 ZA 1/16W
R803	301 226 1516	MT-GLAZE 0.000 ZA 1/16W	R855	301 226 1516	MT-GLAZE 0.000 ZA 1/16W
R8031	301 225 0312	MT-GLAZE 33 JA 1/16W	R856	301 226 1516	MT-GLAZE 0.000 ZA 1/16W
R8032	301 225 0312	MT-GLAZE 33 JA 1/16W	R857	301 226 1516	MT-GLAZE 0.000 ZA 1/16W
R8034	301 225 0312	MT-GLAZE 33 JA 1/16W	R858	301 226 1516	MT-GLAZE 0.000 ZA 1/16W
R8036	301 225 0312	MT-GLAZE 33 JA 1/16W	R860	301 224 9316	MT-GLAZE 1K JA 1/16W
R8037	301 225 0312	MT-GLAZE 33 JA 1/16W	R8800	301 224 9019	MT-GLAZE 10K JA 1/16W
R8039	301 341 0616	MT-GLAZE 49.9 FA 1/16W	R8801	301 224 9316	MT-GLAZE 1K JA 1/16W
R804	301 224 9019	MT-GLAZE 10K JA 1/16W	R8802	301 224 9019	MT-GLAZE 10K JA 1/16W
R8040	301 150 6014	MT-GLAZE 0.000 ZA 1/10W	R8803	301 224 9019	MT-GLAZE 10K JA 1/16W
R8049	301 341 0616	MT-GLAZE 49.9 FA 1/16W	R8804	301 225 0213	MT-GLAZE 3.3K JA 1/16W
R805	301 224 9019	MT-GLAZE 10K JA 1/16W	R8805	301 225 0213	MT-GLAZE 3.3K JA 1/16W
R8050	301 150 6014	MT-GLAZE 0.000 ZA 1/10W	R8806	301 226 1516	MT-GLAZE 0.000 ZA 1/16W
R8056	301 225 1418	MT-GLAZE 47K JA 1/16W	R8807	301 226 1516	MT-GLAZE 0.000 ZA 1/16W
R8057	301 225 1418	MT-GLAZE 47K JA 1/16W	R8808	301 224 9019	MT-GLAZE 10K JA 1/16W
R8059	301 341 0616	MT-GLAZE 49.9 FA 1/16W	R8809	301 224 8814	MT-GLAZE 100 JA 1/16W
R806	301 294 4419	MT-GLAZE 1.8K FA 1/16W	R8810	301 226 1516	MT-GLAZE 0.000 ZA 1/16W
R8069	301 341 0616	MT-GLAZE 49.9 FA 1/16W	R8811	301 226 1516	MT-GLAZE 0.000 ZA 1/16W
R807	301 225 0213	MT-GLAZE 3.3K JA 1/16W	R8812	301 225 3818	MT-GLAZE 1.5K JA 1/16W
R8071	301 037 5017	MT-GLAZE 0.000 ZA 1/10W	R8813	301 225 1210	MT-GLAZE 4.7K JA 1/16W
R8072	301 264 3718	MT-GLAZE 1.5K FA 1/10W	R8814	301 224 9316	MT-GLAZE 1K JA 1/16W
R8073	301 264 3718	MT-GLAZE 1.5K FA 1/10W	R8815	301 224 9019	MT-GLAZE 10K JA 1/16W
R8074	301 264 3718	MT-GLAZE 1.5K FA 1/10W	R8816	301 264 6511	MT-GLAZE 2.2K FA 1/10W
R8076	301 294 3115	MT-GLAZE 1K FA 1/16W	R8821	301 225 1210	MT-GLAZE 4.7K JA 1/16W
R8081	301 294 2613	MT-GLAZE 4.7K FA 1/16W	R8831	301 224 9019	MT-GLAZE 10K JA 1/16W
R8082	301 299 5312	MT-GLAZE 12K FA 1/16W	R8833	301 225 7915	MT-GLAZE 220 JA 1/16W
R8083	301 294 3016	MT-GLAZE 10K FA 1/16W	R8834	301 224 9712	MT-GLAZE 22 JA 1/16W
R8084	301 226 1516	MT-GLAZE 0.000 ZA 1/16W	R8835	301 226 1516	MT-GLAZE 0.000 ZA 1/16W
R8092	301 298 5511	MT-GLAZE 8.2K FA 1/16W	R8836	301 226 1516	MT-GLAZE 0.000 ZA 1/16W
R8093	301 298 5818	MT-GLAZE 9.1K FA 1/16W	R8837	301 226 1516	MT-GLAZE 0.000 ZA 1/16W
R8094	301 294 3511	MT-GLAZE 27K FA 1/16W	R8838	301 226 1516	MT-GLAZE 0.000 ZA 1/16W
R8095	307 254 2716	DIODE CMS16	R8839	301 225 7915	MT-GLAZE 220 JA 1/16W

## Electrical Parts List

Key No.	Part No.	Description	Key No.	Part No.	Description
R8840	301 226 1516	MT-GLAZE 0.000 ZA 1/16W	RB2211	945 036 0986	R-NETWORK 47X4 1/32W
R8841	301 224 9019	MT-GLAZE 10K JA 1/16W		945 037 0831	R-NETWORK 47X4 1/16W
R8842	301 226 1516	MT-GLAZE 0.000 ZA 1/16W	RB2213	945 036 0986	R-NETWORK 47X4 1/32W
R8843	301 224 9019	MT-GLAZE 10K JA 1/16W		945 037 0831	R-NETWORK 47X4 1/16W
R8844	301 224 9019	MT-GLAZE 10K JA 1/16W	RB2341	945 034 5051	R-NETWORK 22X4 1/32W
R8845	301 035 4111	MT-GLAZE 0.000 ZA 1/8W		945 037 0824	R-NETWORK 22X4 1/16W
R8846	301 224 8913	MT-GLAZE 100K JA 1/16W	RB2342	945 034 5051	R-NETWORK 22X4 1/32W
R8848	301 225 1210	MT-GLAZE 4.7K JA 1/16W		945 037 0824	R-NETWORK 22X4 1/16W
R8849	301 224 9316	MT-GLAZE 1K JA 1/16W	RB2343	945 034 5051	R-NETWORK 22X4 1/32W
R8850	301 035 4111	MT-GLAZE 0.000 ZA 1/8W		945 037 0824	R-NETWORK 22X4 1/16W
R8851	301 224 9316	MT-GLAZE 1K JA 1/16W	RB2344	945 034 5051	R-NETWORK 22X4 1/32W
R8852	301 226 1516	MT-GLAZE 0.000 ZA 1/16W		945 037 0824	R-NETWORK 22X4 1/16W
R8853	301 225 1210	MT-GLAZE 4.7K JA 1/16W	RB2345	945 034 5051	R-NETWORK 22X4 1/32W
R8854	301 225 0213	MT-GLAZE 3.3K JA 1/16W		945 037 0824	R-NETWORK 22X4 1/16W
R8855	301 225 3818	MT-GLAZE 1.5K JA 1/16W	RB2346	945 034 5051	R-NETWORK 22X4 1/32W
R8856	301 226 1516	MT-GLAZE 0.000 ZA 1/16W		945 037 0824	R-NETWORK 22X4 1/16W
R8857	301 224 9415	MT-GLAZE 1M JA 1/16W	RB2351	945 029 5790	R-NETWORK 1KX4 1/32W
R8881	301 298 5818	MT-GLAZE 9.1K FA 1/16W		945 028 0703	R-NETWORK 1KX4 1/16W
R8882	301 294 2910	MT-GLAZE 560 FA 1/16W	RB2352	945 029 5790	R-NETWORK 1KX4 1/32W
R8883	301 338 8113	MT-GLAZE 1.2K FA 1/16W		945 028 0703	R-NETWORK 1KX4 1/16W
R8884	301 294 3115	MT-GLAZE 1K FA 1/16W	RB2353	945 029 5790	R-NETWORK 1KX4 1/32W
R8885	401 361 3618	MT-GLAZE 3.3M FA 1/16W		945 028 0703	R-NETWORK 1KX4 1/16W
R8888	401 361 3618	MT-GLAZE 3.3M FA 1/16W	RB2354	945 029 5790	R-NETWORK 1KX4 1/32W
R8891	301 294 3214	MT-GLAZE 47K FA 1/16W		945 028 0703	R-NETWORK 1KX4 1/16W
R8892	301 299 5114	MT-GLAZE 6.2K FA 1/16W	RB2355	945 029 5790	R-NETWORK 1KX4 1/32W
R8893	301 294 3214	MT-GLAZE 47K FA 1/16W		945 028 0703	R-NETWORK 1KX4 1/16W
R8894	301 299 5114	MT-GLAZE 6.2K FA 1/16W	RB2356	945 029 5790	R-NETWORK 1KX4 1/32W
R9871	301 224 9019	MT-GLAZE 10K JA 1/16W		945 028 0703	R-NETWORK 1KX4 1/16W
R9872	301 224 9019	MT-GLAZE 10K JA 1/16W	RB311	945 036 0986	R-NETWORK 47X4 1/32W
R9873	301 255 7312	MT-GLAZE 510K JA 1/10W		945 037 0831	R-NETWORK 47X4 1/16W
R9874	301 224 8913	MT-GLAZE 100K JA 1/16W	RB312	945 036 0986	R-NETWORK 47X4 1/32W
R9875	301 224 8913	MT-GLAZE 100K JA 1/16W		945 037 0831	R-NETWORK 47X4 1/16W
R9876	301 225 8110	MT-GLAZE 10 JA 1/16W	RB313	945 036 0986	R-NETWORK 47X4 1/32W
R9878	301 225 3818	MT-GLAZE 1.5K JA 1/16W		945 037 0831	R-NETWORK 47X4 1/16W
R9881	301 225 0114	MT-GLAZE 27K JA 1/16W	RB314	945 036 0986	R-NETWORK 47X4 1/32W
R9882	301 225 8110	MT-GLAZE 10 JA 1/16W		945 037 0831	R-NETWORK 47X4 1/16W
R9889	301 225 8110	MT-GLAZE 10 JA 1/16W	RB316	945 036 0986	R-NETWORK 47X4 1/32W
R9890	301 225 8110	MT-GLAZE 10 JA 1/16W		945 037 0831	R-NETWORK 47X4 1/16W
R9891	301 225 8110	MT-GLAZE 10 JA 1/16W	RB317	645 049 0675	R-NETWORK 33X4 1/32W
R9895	301 225 8011	MT-GLAZE 330 JA 1/16W		945 049 0690	R-NETWORK 33X4 1/16W
R9897	301 224 9712	MT-GLAZE 22 JA 1/16W	RB318	645 049 0675	R-NETWORK 33X4 1/32W
R9898	301 224 9712	MT-GLAZE 22 JA 1/16W		945 049 0690	R-NETWORK 33X4 1/16W
R9899	301 224 9712	MT-GLAZE 22 JA 1/16W	RB319	645 049 0675	R-NETWORK 33X4 1/32W
R9902	301 224 9019	MT-GLAZE 10K JA 1/16W		945 049 0690	R-NETWORK 33X4 1/16W
R9903	301 224 9019	MT-GLAZE 10K JA 1/16W	RB321	645 049 0675	R-NETWORK 33X4 1/32W
R9904	301 224 9019	MT-GLAZE 10K JA 1/16W		945 049 0690	R-NETWORK 33X4 1/16W
R9905	301 224 9019	MT-GLAZE 10K JA 1/16W	RB322	645 049 0675	R-NETWORK 33X4 1/32W
R9906	301 225 0817	MT-GLAZE 68K JA 1/16W		945 049 0690	R-NETWORK 33X4 1/16W
R9907	301 224 8814	MT-GLAZE 100 JA 1/16W	RB323	645 049 0675	R-NETWORK 33X4 1/32W
R9908	301 224 8814	MT-GLAZE 100 JA 1/16W		945 049 0690	R-NETWORK 33X4 1/16W
R9909	301 224 8814	MT-GLAZE 100 JA 1/16W	RB324	945 036 0986	R-NETWORK 47X4 1/32W
R9910	301 226 1516	MT-GLAZE 0.000 ZA 1/16W		945 037 0831	R-NETWORK 47X4 1/16W
R9911	301 226 1516	MT-GLAZE 0.000 ZA 1/16W	RB326	945 036 0986	R-NETWORK 47X4 1/32W
R9912	301 226 1516	MT-GLAZE 0.000 ZA 1/16W		945 037 0831	R-NETWORK 47X4 1/16W
R9914	301 224 9019	MT-GLAZE 10K JA 1/16W	RB327	945 036 0986	R-NETWORK 47X4 1/32W
R9915	301 224 9019	MT-GLAZE 10K JA 1/16W		945 037 0831	R-NETWORK 47X4 1/16W
R9916	301 224 9019	MT-GLAZE 10K JA 1/16W	RB328	945 036 0986	R-NETWORK 47X4 1/32W
R9928	301 226 1516	MT-GLAZE 0.000 ZA 1/16W		945 037 0831	R-NETWORK 47X4 1/16W
R9929	301 224 9019	MT-GLAZE 10K JA 1/16W	RB329	945 036 0986	R-NETWORK 47X4 1/32W
RB2201	945 036 0986	R-NETWORK 47X4 1/32W		945 037 0831	R-NETWORK 47X4 1/16W
	945 037 0831	R-NETWORK 47X4 1/16W	RB331	945 036 0986	R-NETWORK 47X4 1/32W
RB2203	945 036 0986	R-NETWORK 47X4 1/32W		945 037 0831	R-NETWORK 47X4 1/16W
	945 037 0831	R-NETWORK 47X4 1/16W	RB332	945 036 0986	R-NETWORK 47X4 1/32W
RB2206	945 036 0986	R-NETWORK 47X4 1/32W		945 037 0831	R-NETWORK 47X4 1/16W
	945 037 0831	R-NETWORK 47X4 1/16W	RB333	945 036 0986	R-NETWORK 47X4 1/32W
RB2208	945 036 0986	R-NETWORK 47X4 1/32W		945 037 0831	R-NETWORK 47X4 1/16W
	945 037 0831	R-NETWORK 47X4 1/16W	RB334	945 036 0986	R-NETWORK 47X4 1/32W

**Electrical Parts List**

Key No.	Part No.	Description	Key No.	Part No.	Description
	945 037 0831	R-NETWORK 47X4 1/16W	RB533	945 036 3529	R-NETWORK 0X4 1/32W
RB336	945 036 0986	R-NETWORK 47X4 1/32W		945 037 0817	R-NETWORK 0X4 1/16W
	945 037 0831	R-NETWORK 47X4 1/16W	RB561	945 036 3529	R-NETWORK 0X4 1/32W
RB337	945 036 0986	R-NETWORK 47X4 1/32W		945 037 0817	R-NETWORK 0X4 1/16W
	945 037 0831	R-NETWORK 47X4 1/16W	RB562	945 036 3529	R-NETWORK 0X4 1/32W
RB339	945 036 0986	R-NETWORK 47X4 1/32W		945 037 0817	R-NETWORK 0X4 1/16W
	945 037 0831	R-NETWORK 47X4 1/16W	RB563	945 036 3529	R-NETWORK 0X4 1/32W
RB406	945 034 5051	R-NETWORK 22X4 1/32W		945 037 0817	R-NETWORK 0X4 1/16W
	945 037 0824	R-NETWORK 22X4 1/16W	RB568	945 028 0697	R-NETWORK 100X4 1/16W
RB407	945 034 5051	R-NETWORK 22X4 1/32W	RB8001	645 049 0675	R-NETWORK 33X4 1/32W
	945 037 0824	R-NETWORK 22X4 1/16W		945 049 0690	R-NETWORK 33X4 1/16W
RB408	945 034 5051	R-NETWORK 22X4 1/32W	RB8002	645 049 0675	R-NETWORK 33X4 1/32W
	945 037 0824	R-NETWORK 22X4 1/16W		945 049 0690	R-NETWORK 33X4 1/16W
RB409	945 034 5051	R-NETWORK 22X4 1/32W	RB8003	645 049 0675	R-NETWORK 33X4 1/32W
	945 037 0824	R-NETWORK 22X4 1/16W		945 049 0690	R-NETWORK 33X4 1/16W
RB411	945 034 5051	R-NETWORK 22X4 1/32W	RB8004	645 049 0675	R-NETWORK 33X4 1/32W
	945 037 0824	R-NETWORK 22X4 1/16W		945 049 0690	R-NETWORK 33X4 1/16W
RB412	945 034 5051	R-NETWORK 22X4 1/32W	RB8005	645 049 0675	R-NETWORK 33X4 1/32W
	945 037 0824	R-NETWORK 22X4 1/16W		945 049 0690	R-NETWORK 33X4 1/16W
RB413	945 034 5051	R-NETWORK 22X4 1/32W	RB8006	645 049 0675	R-NETWORK 33X4 1/32W
	945 037 0824	R-NETWORK 22X4 1/16W		945 049 0690	R-NETWORK 33X4 1/16W
RB414	945 034 5051	R-NETWORK 22X4 1/32W	RB8007	645 049 0675	R-NETWORK 33X4 1/32W
	945 037 0824	R-NETWORK 22X4 1/16W		945 049 0690	R-NETWORK 33X4 1/16W
RB416	945 034 5051	R-NETWORK 22X4 1/32W	RB831	945 036 0979	R-NETWORK 10KX4 1/32W
	945 037 0824	R-NETWORK 22X4 1/16W		945 028 0710	R-NETWORK 10KX4 1/16W
RB417	945 034 5051	R-NETWORK 22X4 1/32W	RB832	945 036 0979	R-NETWORK 10KX4 1/32W
	945 037 0824	R-NETWORK 22X4 1/16W		945 028 0710	R-NETWORK 10KX4 1/16W
RB418	945 034 5051	R-NETWORK 22X4 1/32W	RB833	945 036 0979	R-NETWORK 10KX4 1/32W
	945 037 0824	R-NETWORK 22X4 1/16W		945 028 0710	R-NETWORK 10KX4 1/16W
RB419	945 034 5051	R-NETWORK 22X4 1/32W	RB834	945 036 0979	R-NETWORK 10KX4 1/32W
	945 037 0824	R-NETWORK 22X4 1/16W		945 028 0710	R-NETWORK 10KX4 1/16W
RB421	945 034 5051	R-NETWORK 22X4 1/32W	RB835	945 036 0979	R-NETWORK 10KX4 1/32W
	945 037 0824	R-NETWORK 22X4 1/16W		945 028 0710	R-NETWORK 10KX4 1/16W
RB422	945 034 5051	R-NETWORK 22X4 1/32W	RB836	945 036 0979	R-NETWORK 10KX4 1/32W
	945 037 0824	R-NETWORK 22X4 1/16W		945 028 0710	R-NETWORK 10KX4 1/16W
RB423	945 034 5051	R-NETWORK 22X4 1/32W	RB837	945 036 0979	R-NETWORK 10KX4 1/32W
	945 037 0824	R-NETWORK 22X4 1/16W		945 028 0710	R-NETWORK 10KX4 1/16W
RB424	945 034 5051	R-NETWORK 22X4 1/32W	RB838	945 036 0979	R-NETWORK 10KX4 1/32W
	945 037 0824	R-NETWORK 22X4 1/16W		945 028 0710	R-NETWORK 10KX4 1/16W
RB426	945 034 5051	R-NETWORK 22X4 1/32W			
	945 037 0824	R-NETWORK 22X4 1/16W	<b>COIL</b>		
RB427	945 034 5051	R-NETWORK 22X4 1/32W	L1007	945 004 6644	INDUCTOR,220 OHM
	945 037 0824	R-NETWORK 22X4 1/16W	L1009	945 059 2240	INDUCTOR,2.2U M
RB4801	945 036 0979	R-NETWORK 10KX4 1/32W	L1011	645 092 3494	IMPEDANCE,90 OHM P
	945 028 0710	R-NETWORK 10KX4 1/16W	L1012	645 092 3494	IMPEDANCE,90 OHM P
RB501	945 036 3529	R-NETWORK 0X4 1/32W	L1013	645 092 3494	IMPEDANCE,90 OHM P
	945 037 0817	R-NETWORK 0X4 1/16W	L1014	645 092 3494	IMPEDANCE,90 OHM P
RB502	945 036 3529	R-NETWORK 0X4 1/32W	L1021	945 086 7577	FILTER,EMI 400MHZ
	945 037 0817	R-NETWORK 0X4 1/16W	L1022	945 086 7577	FILTER,EMI 400MHZ
RB503	945 036 3529	R-NETWORK 0X4 1/32W	L1023	945 086 7577	FILTER,EMI 400MHZ
	945 037 0817	R-NETWORK 0X4 1/16W	L1024	945 086 7560	FILTER,EMI 200MHZ
RB5211	645 049 0675	R-NETWORK 33X4 1/32W	L1026	945 086 7560	FILTER,EMI 200MHZ
	945 049 0690	R-NETWORK 33X4 1/16W	L1031	945 040 6455	INDUCTOR,4.7U M
RB5212	645 049 0675	R-NETWORK 33X4 1/32W	L1341	945 050 8449	IMPEDANCE,1000 OHM P
	945 049 0690	R-NETWORK 33X4 1/16W	L1342	945 050 8449	IMPEDANCE,1000 OHM P
RB5213	645 049 0675	R-NETWORK 33X4 1/32W	L1351	945 041 1978	INDUCTOR,330 OHM
	945 049 0690	R-NETWORK 33X4 1/16W	L1352	945 032 8344	INDUCTOR,39U J
RB5214	645 049 0675	R-NETWORK 33X4 1/32W	L1452	645 068 9000	INDUCTOR,10U K
	945 049 0690	R-NETWORK 33X4 1/16W	L1453	945 059 2240	INDUCTOR,2.2U M
RB5215	645 049 0675	R-NETWORK 33X4 1/32W	L1454	945 059 2240	INDUCTOR,2.2U M
	945 049 0690	R-NETWORK 33X4 1/16W	L1455	945 059 2240	INDUCTOR,2.2U M
RB5216	645 049 0675	R-NETWORK 33X4 1/32W	L1456	945 080 6828	INDUCTOR,3.3U M
	945 049 0690	R-NETWORK 33X4 1/16W	L1457	945 080 6828	INDUCTOR,3.3U M
RB531	945 036 3529	R-NETWORK 0X4 1/32W	L1458	945 080 6828	INDUCTOR,3.3U M
	945 037 0817	R-NETWORK 0X4 1/16W	L1459	645 068 9000	INDUCTOR,10U K
RB532	945 036 3529	R-NETWORK 0X4 1/32W	L2210	945 036 3895	INDUCTOR,220 OHM
	945 037 0817	R-NETWORK 0X4 1/16W	L2220	945 036 3895	INDUCTOR,220 OHM

**Electrical Parts List**

Key No. Part No. Description			Key No. Part No. Description		
L2221	945 036 3895	INDUCTOR,220 OHM	L5253	945 036 3895	INDUCTOR,220 OHM
L2222	945 036 3895	INDUCTOR,220 OHM	L5271	945 041 1978	INDUCTOR,330 OHM
L2301	945 036 3895	INDUCTOR,220 OHM	L5272	945 041 1978	INDUCTOR,330 OHM
L2302	945 036 3895	INDUCTOR,220 OHM	L5291	945 086 6600	IMPEDANCE,220 OHM P
L2303	945 036 3895	INDUCTOR,220 OHM	L531	945 080 6828	INDUCTOR,3.3U M
L2371	945 075 1388	INDUCTOR,10U M	L5311	301 225 8110	MT-GLAZE 10 JA 1/16W
L2372	945 036 3895	INDUCTOR,220 OHM	L532	945 080 6828	INDUCTOR,3.3U M
L2373	945 036 3895	INDUCTOR,220 OHM	L533	945 080 6828	INDUCTOR,3.3U M
L2374	945 036 3895	INDUCTOR,220 OHM	L5541	645 092 3616	IMPEDANCE,22 OHM P
L2375	945 036 3895	INDUCTOR,220 OHM	L5542	645 092 3616	IMPEDANCE,22 OHM P
L2381	945 036 3895	INDUCTOR,220 OHM	L5543	645 092 3616	IMPEDANCE,22 OHM P
L2382	945 036 3895	INDUCTOR,220 OHM	L5544	645 092 3616	IMPEDANCE,22 OHM P
L2383	945 036 3895	INDUCTOR,220 OHM	L5601	945 038 4579	INDUCTOR,33U M
L2385	945 036 3895	INDUCTOR,220 OHM	L561	945 080 6828	INDUCTOR,3.3U M
L2386	945 036 3895	INDUCTOR,220 OHM	L5611	301 225 1814	MT-GLAZE 47 JA 1/16W
L2501	945 059 1755	INDUCTOR,22U J	L562	945 080 6828	INDUCTOR,3.3U M
L2502	301 226 1516	MT-GLAZE 0.000 ZA 1/16W	L5627	945 086 6662	IMPEDANCE,600 OHM P
L2503	301 226 1516	MT-GLAZE 0.000 ZA 1/16W	L563	945 080 6828	INDUCTOR,3.3U M
L2504	301 226 1516	MT-GLAZE 0.000 ZA 1/16W	L5702	945 041 1978	INDUCTOR,330 OHM
L2508	301 226 1516	MT-GLAZE 0.000 ZA 1/16W	L5704	945 041 1978	INDUCTOR,330 OHM
L2510	301 226 1516	MT-GLAZE 0.000 ZA 1/16W	L5801	645 092 3616	IMPEDANCE,22 OHM P
L2511	301 226 1516	MT-GLAZE 0.000 ZA 1/16W	L5802	645 092 3616	IMPEDANCE,22 OHM P
L2513	301 226 1516	MT-GLAZE 0.000 ZA 1/16W	L5821	945 062 2930	INDUCTOR,10U M
L2514	301 226 1516	MT-GLAZE 0.000 ZA 1/16W	L5827	301 037 5017	MT-GLAZE 0.000 ZA 1/10W
L2515	301 226 1516	MT-GLAZE 0.000 ZA 1/16W	L5829	945 041 1978	INDUCTOR,330 OHM
L2516	301 226 1516	MT-GLAZE 0.000 ZA 1/16W	L5830	945 041 1978	INDUCTOR,330 OHM
L2517	301 226 1516	MT-GLAZE 0.000 ZA 1/16W	L5841	301 037 5017	MT-GLAZE 0.000 ZA 1/10W
L2518	301 226 1516	MT-GLAZE 0.000 ZA 1/16W	L5842	945 075 1388	INDUCTOR,10U M
L2531	945 059 1755	INDUCTOR,22U J	L5844	945 041 1978	INDUCTOR,330 OHM
L2561	945 059 1755	INDUCTOR,22U J	L5846	945 041 1978	INDUCTOR,330 OHM
L2591	301 035 4111	MT-GLAZE 0.000 ZA 1/8W	L5851	945 041 1978	INDUCTOR,330 OHM
L2592	301 035 4111	MT-GLAZE 0.000 ZA 1/8W	L5853	945 041 1978	INDUCTOR,330 OHM
L2899	945 086 6037	IMPEDANCE,330 OHM P	L5855	945 041 1978	INDUCTOR,330 OHM
L311	945 050 8449	IMPEDANCE,1000 OHM P	L5861	945 075 1388	INDUCTOR,10U M
L312	945 050 8449	IMPEDANCE,1000 OHM P	L5863	945 040 6455	INDUCTOR,4.7U M
L316	945 050 8449	IMPEDANCE,1000 OHM P	L5867	301 037 5017	MT-GLAZE 0.000 ZA 1/10W
L321	945 050 8449	IMPEDANCE,1000 OHM P	L5868	945 041 1978	INDUCTOR,330 OHM
L326	945 050 8449	IMPEDANCE,1000 OHM P	L592	945 086 6044	IMPEDANCE,470 OHM P
L361	945 050 8449	IMPEDANCE,1000 OHM P	L6511	645 092 3616	IMPEDANCE,22 OHM P
L363	945 050 8449	IMPEDANCE,1000 OHM P	L6512	645 092 3616	IMPEDANCE,22 OHM P
L366	945 050 8449	IMPEDANCE,1000 OHM P	L6513	645 092 3616	IMPEDANCE,22 OHM P
L368	945 050 8449	IMPEDANCE,1000 OHM P	L6514	645 092 3616	IMPEDANCE,22 OHM P
L371	945 050 8449	IMPEDANCE,1000 OHM P	L6515	645 092 3616	IMPEDANCE,22 OHM P
L372	945 086 6662	IMPEDANCE,600 OHM P	L6516	301 226 1516	MT-GLAZE 0.000 ZA 1/16W
L3801	945 086 7454	FILTER,EMI 50MHZ	L6517	301 226 1516	MT-GLAZE 0.000 ZA 1/16W
L3802	945 086 7454	FILTER,EMI 50MHZ	L6518	301 226 1516	MT-GLAZE 0.000 ZA 1/16W
L4001	945 086 7577	FILTER,EMI 400MHZ	L6519	301 226 1516	MT-GLAZE 0.000 ZA 1/16W
L4002	945 086 7577	FILTER,EMI 400MHZ	L6520	645 092 3616	IMPEDANCE,22 OHM P
L4003	945 086 7577	FILTER,EMI 400MHZ	L6601	301 037 5017	MT-GLAZE 0.000 ZA 1/10W
L4004	945 086 7577	FILTER,EMI 400MHZ	L6603	945 037 4792	INDUCTOR,100U M
L4006	945 086 7577	FILTER,EMI 400MHZ	L6610	945 062 2855	INDUCTOR,33U M
L4802	945 041 1978	INDUCTOR,330 OHM	L6661	945 041 1978	INDUCTOR,330 OHM
L4803	945 041 1978	INDUCTOR,330 OHM	L6662	945 036 3895	INDUCTOR,220 OHM
L5001	945 062 2855	INDUCTOR,33U M	L6663	945 075 1388	INDUCTOR,10U M
L5002	945 062 2855	INDUCTOR,33U M	L6664	645 089 2677	FILTER,EMI 1500PF
L501	945 080 6828	INDUCTOR,3.3U M	L6665	645 089 2677	FILTER,EMI 1500PF
L5011	301 225 1814	MT-GLAZE 47 JA 1/16W	L7701	945 037 4808	INDUCTOR,33U M
L502	945 080 6828	INDUCTOR,3.3U M	L7702	945 086 6044	IMPEDANCE,470 OHM P
L503	945 080 6828	INDUCTOR,3.3U M	L7703	945 086 6044	IMPEDANCE,470 OHM P
L5031	945 086 5368	IMPEDANCE,220 OHM P	L7721	945 037 4808	INDUCTOR,33U M
L5032	945 086 5368	IMPEDANCE,220 OHM P	L7801	945 059 2240	INDUCTOR,2.2U M
L5202	945 036 3895	INDUCTOR,220 OHM	L7802	945 059 2240	INDUCTOR,2.2U M
L5203	945 036 3895	INDUCTOR,220 OHM	L8001	945 086 6600	IMPEDANCE,220 OHM P
L5204	945 036 3895	INDUCTOR,220 OHM	L8002	945 086 6600	IMPEDANCE,220 OHM P
L5205	945 036 3895	INDUCTOR,220 OHM	L8003	945 086 6600	IMPEDANCE,220 OHM P
L5231	945 041 1978	INDUCTOR,330 OHM	L8004	945 086 6600	IMPEDANCE,220 OHM P
L5232	945 041 1978	INDUCTOR,330 OHM	L8006	945 086 6600	IMPEDANCE,220 OHM P

Electrical Parts List

Key No.	Part No.	Description	Key No.	Part No.	Description
L8007	945 086 6600	IMPEDANCE,220 OHM P	D2041	307 163 0414	DIODE 1SS352-(TPH3)
L8071	301 150 6014	MT-GLAZE 0.000 ZA 1/10W		307 149 0810	DIODE 1SS355-TE-17
L8081	945 041 1978	INDUCTOR,330 OHM		408 062 7201	DIODE 1SS35
L8091	301 150 6014	MT-GLAZE 0.000 ZA 1/10W	D2042	307 163 0414	DIODE 1SS352-(TPH3)
L812	645 092 3616	IMPEDANCE,22 OHM P		307 149 0810	DIODE 1SS355-TE-17
L817	645 092 3616	IMPEDANCE,22 OHM P		408 062 7201	DIODE 1SS35
L818	645 092 3616	IMPEDANCE,22 OHM P	D2251	307 163 0414	DIODE 1SS352-(TPH3)
L821	645 092 3616	IMPEDANCE,22 OHM P		307 149 0810	DIODE 1SS355-TE-17
L822	645 092 3616	IMPEDANCE,22 OHM P		408 062 7201	DIODE 1SS35
L823	645 092 3616	IMPEDANCE,22 OHM P	D2381	307 163 0414	DIODE 1SS352-(TPH3)
L824	645 092 3616	IMPEDANCE,22 OHM P		307 149 0810	DIODE 1SS355-TE-17
L8291	945 050 8449	IMPEDANCE,1000 OHM P		408 062 7201	DIODE 1SS35
L8295	945 050 8449	IMPEDANCE,1000 OHM P	D2385	307 163 0414	DIODE 1SS352-(TPH3)
L8801	945 086 6037	IMPEDANCE,330 OHM P		307 149 0810	DIODE 1SS355-TE-17
L8802	945 086 6037	IMPEDANCE,330 OHM P		408 062 7201	DIODE 1SS35
L8803	945 086 6037	IMPEDANCE,330 OHM P	D351	307 163 0414	DIODE 1SS352-(TPH3)
L8804	945 086 6037	IMPEDANCE,330 OHM P		307 149 0810	DIODE 1SS355-TE-17
L8805	945 068 8318	FILTER,EMI 100MHZ		408 062 7201	DIODE 1SS35
<b>DIODE</b>			D352	307 163 0414	DIODE 1SS352-(TPH3)
D001	307 163 0414	DIODE 1SS352-(TPH3)		307 149 0810	DIODE 1SS355-TE-17
	307 149 0810	DIODE 1SS355-TE-17		408 062 7201	DIODE 1SS35
	408 062 7201	DIODE 1SS35	D353	307 163 0414	DIODE 1SS352-(TPH3)
D002	307 163 0414	DIODE 1SS352-(TPH3)		307 149 0810	DIODE 1SS355-TE-17
	307 149 0810	DIODE 1SS355-TE-17		408 062 7201	DIODE 1SS35
	408 062 7201	DIODE 1SS35	D354	307 163 0414	DIODE 1SS352-(TPH3)
D008	307 222 5916	ZENER DIODEUDZS3.6B-TE-17		307 149 0810	DIODE 1SS355-TE-17
	408 063 4209	ZENER DIODE MM3Z3V6B		408 062 7201	DIODE 1SS35
D1001	307 254 2914	ZENER DIODE 02DZ6.8Y(TPH3	D355	307 163 0414	DIODE 1SS352-(TPH3)
	307 209 4512	ZD UDZS-TE-176.8B		307 149 0810	DIODE 1SS355-TE-17
D1002	307 254 2914	ZENER DIODE 02DZ6.8Y(TPH3		408 062 7201	DIODE 1SS35
	307 209 4512	ZD UDZS-TE-176.8B	D356	307 163 0414	DIODE 1SS352-(TPH3)
D1003	307 254 2716	DIODE CMS16		307 149 0810	DIODE 1SS355-TE-17
D1004	307 254 2716	DIODE CMS16		408 062 7201	DIODE 1SS35
D1005	307 223 1115	ZENER DIODE 02DZ6.2Y(TPH3	D3612	307 163 0414	DIODE 1SS352-(TPH3)
	307 209 1214	ZD UDZS-TE-176.2B		307 149 0810	DIODE 1SS355-TE-17
	408 063 7507	ZENER DIODE MM3Z6V2B		408 062 7201	DIODE 1SS35
D1006	307 223 1115	ZENER DIODE 02DZ6.2Y(TPH3	D3616	307 163 0414	DIODE 1SS352-(TPH3)
	307 209 1214	ZD UDZS-TE-176.2B		307 149 0810	DIODE 1SS355-TE-17
	408 063 7507	ZENER DIODE MM3Z6V2B		408 062 7201	DIODE 1SS35
D1007	307 223 1115	ZENER DIODE 02DZ6.2Y(TPH3	D5038	307 163 0414	DIODE 1SS352-(TPH3)
	307 209 1214	ZD UDZS-TE-176.2B		307 149 0810	DIODE 1SS355-TE-17
	408 063 7507	ZENER DIODE MM3Z6V2B		408 062 7201	DIODE 1SS35
D1008	307 223 1115	ZENER DIODE 02DZ6.2Y(TPH3	D5503	307 223 1115	ZENER DIODE 02DZ6.2Y(TPH3
	307 209 1214	ZD UDZS-TE-176.2B		307 209 1214	ZD UDZS-TE-176.2B
	408 063 7507	ZENER DIODE MM3Z6V2B		408 063 7507	ZENER DIODE MM3Z6V2B
D1024	307 223 1115	ZENER DIODE 02DZ6.2Y(TPH3	D5523	307 223 1115	ZENER DIODE 02DZ6.2Y(TPH3
	307 209 1214	ZD UDZS-TE-176.2B		307 209 1214	ZD UDZS-TE-176.2B
	408 063 7507	ZENER DIODE MM3Z6V2B		408 063 7507	ZENER DIODE MM3Z6V2B
D1026	307 223 1115	ZENER DIODE 02DZ6.2Y(TPH3	D5531	307 163 0414	DIODE 1SS352-(TPH3)
	307 209 1214	ZD UDZS-TE-176.2B		307 149 0810	DIODE 1SS355-TE-17
	408 063 7507	ZENER DIODE MM3Z6V2B		408 062 7201	DIODE 1SS35
D1031	307 210 5416	DIODE RB551V-30-TE-17	D5532	307 163 0414	DIODE 1SS352-(TPH3)
D1451	307 163 0414	DIODE 1SS352-(TPH3)		307 149 0810	DIODE 1SS355-TE-17
	307 149 0810	DIODE 1SS355-TE-17		408 062 7201	DIODE 1SS35
	408 062 7201	DIODE 1SS35	D5541	307 247 8827	DIODE RF101L2S
D1454	307 163 0414	DIODE 1SS352-(TPH3)		307 190 4119	DIODE SFPL-52V
	307 149 0810	DIODE 1SS355-TE-17	D5542	307 247 8827	DIODE RF101L2S
	408 062 7201	DIODE 1SS35		307 190 4119	DIODE SFPL-52V
D1802	307 223 1115	ZENER DIODE 02DZ6.2Y(TPH3	D5543	307 247 8827	DIODE RF101L2S
	408 063 7507	ZENER DIODE MM3Z6V2B		307 190 4119	DIODE SFPL-52V
D1861	307 223 1115	ZENER DIODE 02DZ6.2Y(TPH3	D5544	307 247 8827	DIODE RF101L2S
	408 063 7507	ZENER DIODE MM3Z6V2B		307 190 4119	DIODE SFPL-52V
D1862	307 223 1115	ZENER DIODE 02DZ6.2Y(TPH3	D5545	307 163 0414	DIODE 1SS352-(TPH3)
	408 063 7507	ZENER DIODE MM3Z6V2B		307 149 0810	DIODE 1SS355-TE-17
D201	307 247 8827	DIODE RF101L2S		408 062 7201	DIODE 1SS35
	307 190 4119	DIODE SFPL-52V	D5563	307 254 2914	ZENER DIODE 02DZ6.8Y(TPH3
				307 209 4512	ZD UDZS-TE-176.8B

**Electrical Parts List**

Key No.	Part No.	Description	Key No.	Part No.	Description
D5601	307 254 2716	DIODE CMS16		408 062 7201	DIODE 1SS35
D5801	307 223 1115	ZENER DIODE 02DZ6.2Y(TPH3	D7725	307 163 0414	DIODE 1SS352-(TPH3)
	307 209 1214	ZD UDZS-TE-176.2B		307 149 0810	DIODE 1SS355-TE-17
D5802	307 223 1115	ZENER DIODE 02DZ6.2Y(TPH3		408 062 7201	DIODE 1SS35
	307 209 1214	ZD UDZS-TE-176.2B	D7726	307 163 0414	DIODE 1SS352-(TPH3)
D5803	307 223 1115	ZENER DIODE 02DZ6.2Y(TPH3		307 149 0810	DIODE 1SS355-TE-17
	307 209 1214	ZD UDZS-TE-176.2B		408 062 7201	DIODE 1SS35
D5850	307 223 1115	ZENER DIODE 02DZ6.2Y(TPH3	D7727	307 163 0414	DIODE 1SS352-(TPH3)
	307 209 1214	ZD UDZS-TE-176.2B		307 149 0810	DIODE 1SS355-TE-17
	408 063 7507	ZENER DIODE MM3Z6V2B		408 062 7201	DIODE 1SS35
D5851	307 223 1115	ZENER DIODE 02DZ6.2Y(TPH3	D7822	307 163 0414	DIODE 1SS352-(TPH3)
	307 209 1214	ZD UDZS-TE-176.2B		307 149 0810	DIODE 1SS355-TE-17
	408 063 7507	ZENER DIODE MM3Z6V2B		408 062 7201	DIODE 1SS35
D5852	307 223 1115	ZENER DIODE 02DZ6.2Y(TPH3	D7823	307 163 0414	DIODE 1SS352-(TPH3)
	307 209 1214	ZD UDZS-TE-176.2B		307 149 0810	DIODE 1SS355-TE-17
	408 063 7507	ZENER DIODE MM3Z6V2B		408 062 7201	DIODE 1SS35
D5853	307 223 1115	ZENER DIODE 02DZ6.2Y(TPH3	D7826	307 163 0414	DIODE 1SS352-(TPH3)
	307 209 1214	ZD UDZS-TE-176.2B		307 149 0810	DIODE 1SS355-TE-17
	408 063 7507	ZENER DIODE MM3Z6V2B		408 062 7201	DIODE 1SS35
D5854	307 223 1115	ZENER DIODE 02DZ6.2Y(TPH3	D7827	307 163 0414	DIODE 1SS352-(TPH3)
	307 209 1214	ZD UDZS-TE-176.2B		307 149 0810	DIODE 1SS355-TE-17
	408 063 7507	ZENER DIODE MM3Z6V2B		408 062 7201	DIODE 1SS35
D5856	307 223 1115	ZENER DIODE 02DZ6.2Y(TPH3	D7828	307 163 0414	DIODE 1SS352-(TPH3)
	307 209 1214	ZD UDZS-TE-176.2B		307 149 0810	DIODE 1SS355-TE-17
	408 063 7507	ZENER DIODE MM3Z6V2B		408 062 7201	DIODE 1SS35
D5883	307 163 0414	DIODE 1SS352-(TPH3)	D7829	307 163 0414	DIODE 1SS352-(TPH3)
	307 149 0810	DIODE 1SS355-TE-17		307 149 0810	DIODE 1SS355-TE-17
	408 062 7201	DIODE 1SS35		408 062 7201	DIODE 1SS35
D5884	307 163 0414	DIODE 1SS352-(TPH3)	D7842	307 163 0414	DIODE 1SS352-(TPH3)
	307 149 0810	DIODE 1SS355-TE-17		307 149 0810	DIODE 1SS355-TE-17
	408 062 7201	DIODE 1SS35		408 062 7201	DIODE 1SS35
D592	307 163 0414	DIODE 1SS352-(TPH3)	D7843	307 163 0414	DIODE 1SS352-(TPH3)
	307 149 0810	DIODE 1SS355-TE-17		307 149 0810	DIODE 1SS355-TE-17
	408 062 7201	DIODE 1SS35		408 062 7201	DIODE 1SS35
D6503	307 231 2210	ZENER DIODE UDZS13B-TE-17	D7863	307 163 0414	DIODE 1SS352-(TPH3)
	408 064 6707	ZENER DIODE MM3Z13B		307 149 0810	DIODE 1SS355-TE-17
D6523	307 231 2210	ZENER DIODE UDZS13B-TE-17		408 062 7201	DIODE 1SS35
	408 064 6707	ZENER DIODE MM3Z13B	D7866	307 163 0414	DIODE 1SS352-(TPH3)
D6603	307 254 2716	DIODE CMS16		307 149 0810	DIODE 1SS355-TE-17
D6604	307 163 0414	DIODE 1SS352-(TPH3)		408 062 7201	DIODE 1SS35
	307 149 0810	DIODE 1SS355-TE-17	D7891	307 163 0414	DIODE 1SS352-(TPH3)
	408 062 7201	DIODE 1SS35		307 149 0810	DIODE 1SS355-TE-17
D6621	307 163 0414	DIODE 1SS352-(TPH3)		408 062 7201	DIODE 1SS35
	307 149 0810	DIODE 1SS355-TE-17	D7892	307 163 0414	DIODE 1SS352-(TPH3)
	408 062 7201	DIODE 1SS35		307 149 0810	DIODE 1SS355-TE-17
D6623	307 163 0414	DIODE 1SS352-(TPH3)		408 062 7201	DIODE 1SS35
	307 149 0810	DIODE 1SS355-TE-17	D7922	307 163 0414	DIODE 1SS352-(TPH3)
	408 062 7201	DIODE 1SS35		307 149 0810	DIODE 1SS355-TE-17
D6676	307 163 0414	DIODE 1SS352-(TPH3)		408 062 7201	DIODE 1SS35
	307 149 0810	DIODE 1SS355-TE-17	D7923	307 163 0414	DIODE 1SS352-(TPH3)
	408 062 7201	DIODE 1SS35		307 149 0810	DIODE 1SS355-TE-17
D7701	307 254 2716	DIODE CMS16		408 062 7201	DIODE 1SS35
D7702	307 163 0414	DIODE 1SS352-(TPH3)	D8071	307 163 0414	DIODE 1SS352-(TPH3)
	307 149 0810	DIODE 1SS355-TE-17		307 149 0810	DIODE 1SS355-TE-17
	408 062 7201	DIODE 1SS35		408 062 7201	DIODE 1SS35
D7703	307 163 0414	DIODE 1SS352-(TPH3)	D8072	307 163 0414	DIODE 1SS352-(TPH3)
	307 149 0810	DIODE 1SS355-TE-17		307 149 0810	DIODE 1SS355-TE-17
	408 062 7201	DIODE 1SS35		408 062 7201	DIODE 1SS35
D7721	307 254 2716	DIODE CMS16	D8081	307 254 2716	DIODE CMS16
D7722	307 163 0414	DIODE 1SS352-(TPH3)	D851	307 223 1115	ZENER DIODE 02DZ6.2Y(TPH3
	307 149 0810	DIODE 1SS355-TE-17		307 209 1214	ZD UDZS-TE-176.2B
	408 062 7201	DIODE 1SS35		408 063 7507	ZENER DIODE MM3Z6V2B
D7723	307 163 0414	DIODE 1SS352-(TPH3)	D852	307 223 1115	ZENER DIODE 02DZ6.2Y(TPH3
	307 149 0810	DIODE 1SS355-TE-17		307 209 1214	ZD UDZS-TE-176.2B
	408 062 7201	DIODE 1SS35		408 063 7507	ZENER DIODE MM3Z6V2B
D7724	307 163 0414	DIODE 1SS352-(TPH3)	D853	307 223 1115	ZENER DIODE 02DZ6.2Y(TPH3
	307 149 0810	DIODE 1SS355-TE-17		307 209 1214	ZD UDZS-TE-176.2B

Electrical Parts List

Key No.	Part No.	Description	Key No.	Part No.	Description
D854	408 063 7507	ZENER DIODE MM3Z6V2B	<b>CAPACITOR</b>		
	307 223 1115	ZENER DIODE 02DZ6.2Y(TPH3)	C1691	303 281 2415	CERAMIC 0.22U K 16V
	307 209 1214	ZD UDZS-TE-176.2B		303 364 5913	CERAMIC 0.22U K 16V
D855	408 063 7507	ZENER DIODE MM3Z6V2B	<b>RESISTOR</b>		
	307 223 1115	ZENER DIODE 02DZ6.2Y(TPH3)	R1691	301 224 8814	MT-GLAZE 100 JA 1/16W
	307 209 1214	ZD UDZS-TE-176.2B	R1692	301 224 8814	MT-GLAZE 100 JA 1/16W
D856	408 063 7507	ZENER DIODE MM3Z6V2B	R1693	301 224 8814	MT-GLAZE 100 JA 1/16W
	307 223 1115	ZENER DIODE 02DZ6.2Y(TPH3)	<b>A1880 655 003 1020 ASSY,PWB,AMF SENSOR KA8AL</b>		
	307 209 1214	ZD UDZS-TE-176.2B	<b>CAPACITOR</b>		
D857	408 063 7507	ZENER DIODE MM3Z6V2B	C1816	303 453 8917	CERAMIC 0.1U K 16V
	307 223 1115	ZENER DIODE 02DZ6.2Y(TPH3)		303 453 8610	CERAMIC 0.1U K 16V
	307 209 1214	ZD UDZS-TE-176.2B		303 409 3426	CERAMIC 0.1U K 16V
D8801	408 063 7507	ZENER DIODE MM3Z6V2B	<b>RESISTOR</b>		
D8902	307 209 7513	LED SML-210YT T86 L	R1811	301 255 9217	MT-GLAZE 6.2K JA 1/10W
D8902	307 163 0414	DIODE 1SS352-(TPH3)	R1812	301 150 6014	MT-GLAZE 0.000 ZA 1/10W
	307 149 0810	DIODE 1SS355-TE-17	R1813	301 256 6512	MT-GLAZE 68 JA 1/10W
	408 062 7201	DIODE 1SS35	<b>DIODE</b>		
D9001	307 163 0414	DIODE 1SS352-(TPH3)	D1811	645 098 0428	UNIT,PHOTOINTERRUPTER
	307 149 0810	DIODE 1SS355-TE-17	<b>A1890 655 003 1013 ASSY,PWB,FILTER SW KA8AL</b>		
	408 062 7201	DIODE 1SS35	<b>MISCELLANEOUS</b>		
D9002	307 163 0414	DIODE 1SS352-(TPH3)	SW1891	945 063 5176	SWITCH,PUSH 2P-2TX3
	307 149 0810	DIODE 1SS355-TE-17	<b>A8730 655 003 1006 ASSY,PWB,ID CONNECT KA8AL</b>		
	408 062 7201	DIODE 1SS35	<b>RESISTOR</b>		
D9003	307 163 0414	DIODE 1SS352-(TPH3)	R8738	301 226 1516	MT-GLAZE 0.000 ZA 1/16W
	307 149 0810	DIODE 1SS355-TE-17	<b>COIL</b>		
	408 062 7201	DIODE 1SS35	L8731	945 086 6037	IMPEDANCE,330 OHM P
D9004	307 163 0414	DIODE 1SS352-(TPH3)	L8732	945 086 6037	IMPEDANCE,330 OHM P
	307 149 0810	DIODE 1SS355-TE-17	L8733	945 086 6037	IMPEDANCE,330 OHM P
	408 062 7201	DIODE 1SS35	L8734	945 086 6037	IMPEDANCE,330 OHM P
			L8737	945 086 6037	IMPEDANCE,330 OHM P
<b>MISCELLANEOUS</b>			<b>A2000 655 003 0979 ASSY,PWB,A/V KA8AL</b>		
FB5801	945 041 1978	INDUCTOR,330 OHM	<b>TRANSISTOR</b>		
AU2802	945 082 0466	UNIT,REMOCON RECEIVER	Q2001	305 217 4913	TR RN1111 TE85L
K11A	952 001 8601	SOCKET,D-SUB 15P	Q2002	305 217 4913	TR RN1111 TE85L
K11B	645 101 8632	SOCKET,DVI 24P	Q2003	305 217 4913	TR RN1111 TE85L
K14A	952 001 8571	SOCKET,D-SUB 15P	Q3001	305 014 4512	TR 2SC2412K T146 R
K38A	945 053 4936	PLUG,D-SUB 9P		305 014 4611	TR 2SC2412K T146 S
K9602	645 093 6760	TRANS,PULSE		305 015 8727	TR 2SC2812-L6-TB
SC1021	945 076 3503	SURGE-ABSORBER		305 015 8925	TR 2SC2812-L7-TB
SC1022	945 076 3503	SURGE-ABSORBER		305 163 1615	TR 2SC2812N-L6-TBO
SC1023	945 076 3503	SURGE-ABSORBER		305 173 9816	TR 2SC3928A1R
SC3801	945 076 3503	SURGE-ABSORBER		305 173 9915	TR 2SC3928A1S
SW301	945 026 2792	SWITCH,PUSH 1P-1TX1	Q3002	305 014 4512	TR 2SC2412K T146 R
SW302	945 026 2792	SWITCH,PUSH 1P-1TX1		305 014 4611	TR 2SC2412K T146 S
X1351	945 088 7179	OSC,CRYSTAL 27.0MHZ		305 015 8727	TR 2SC2812-L6-TB
X2202	945 076 2407	OSC,CRYSTAL 25.000MHZ		305 015 8925	TR 2SC2812-L7-TB
X2331	945 088 7179	OSC,CRYSTAL 27.0MHZ		305 163 1615	TR 2SC2812N-L6-TBO
X4801	645 092 8857	OSC,CRYSTAL 48MHZ		305 173 9816	TR 2SC3928A1R
X5201	945 076 5194	OSC,CRYSTAL 79.991883MHZ		305 173 9915	TR 2SC3928A1S
X8001	945 088 7179	OSC,CRYSTAL 27.0MHZ	Q5031	406 021 7804	TR 2SC4617
X8802	945 083 7556	OSC,CRYSTAL 25.0MHZ	Q5032	406 021 7804	TR 2SC4617
X9885	945 060 9900	OSC,CERAMIC 8.00MHZ	<b>A1600 655 003 1044 ASSY,PWB,SENSOR C KA8AL</b>		
			<b>CAPACITOR</b>		
			C1814	303 453 8917	CERAMIC 0.1U K 16V
				303 453 8610	CERAMIC 0.1U K 16V
				303 409 3426	CERAMIC 0.1U K 16V
			<b>RESISTOR</b>		
			R1825	301 226 1516	MT-GLAZE 0.000 ZA 1/16W
			R1826	301 226 1516	MT-GLAZE 0.000 ZA 1/16W
			<b>A1800 655 003 1037 ASSY,PWB, SENSOR A KA8AL</b>		



Electrical Parts List

Key No.	Part No.	Description	Key No.	Part No.	Description
Q5061	406 021 7804	TR 2SC4617	R2001	301 258 2611	MT-GLAZE 150 FA 1/10W
Q5062	406 021 7804	TR 2SC4617	R2002	301 258 2611	MT-GLAZE 150 FA 1/10W
Q5063	406 021 7804	TR 2SC4617	R2003	301 258 2611	MT-GLAZE 150 FA 1/10W
Q5064	406 021 7804	TR 2SC4617	R2004	301 258 2611	MT-GLAZE 150 FA 1/10W
<b>INTEGRATED CIRCUIT</b>			R2005	301 258 2611	MT-GLAZE 150 FA 1/10W
IC2001	309 470 2617	IC AD8183ARUZ-REEL7	R2006	301 258 2611	MT-GLAZE 150 FA 1/10W
IC5001	409 683 5716	IC NJW1156AV	R2007	301 255 6513	MT-GLAZE 100 JA 1/10W
<b>CAPACITOR</b>			R2008	301 255 6513	MT-GLAZE 100 JA 1/10W
C1055	303 358 3215	CERAMIC 10U K 6.3V	R2009	301 255 6513	MT-GLAZE 100 JA 1/10W
	303 370 0018	CERAMIC 10U K 6.3V	R2010	301 260 4016	MT-GLAZE 68 JA 1/3W
	303 368 7319	CERAMIC 10U K 6.3V	R2011	301 260 4016	MT-GLAZE 68 JA 1/3W
C1057	303 367 0410	CERAMIC 0.1U K 50V	R2012	301 150 5918	MT-GLAZE 10K JA 1/10W
C1059	303 367 0410	CERAMIC 0.1U K 50V	R2013	301 255 6513	MT-GLAZE 100 JA 1/10W
C1060	303 358 3215	CERAMIC 10U K 6.3V	R2014	301 035 4111	MT-GLAZE 0.000 ZA 1/8W
	303 370 0018	CERAMIC 10U K 6.3V	R2015	301 255 6513	MT-GLAZE 100 JA 1/10W
	303 368 7319	CERAMIC 10U K 6.3V	R2016	301 035 4111	MT-GLAZE 0.000 ZA 1/8W
C2001	303 367 0410	CERAMIC 0.1U K 50V	R2017	301 150 5918	MT-GLAZE 10K JA 1/10W
C2002	303 367 0410	CERAMIC 0.1U K 50V	R2018	301 255 6513	MT-GLAZE 100 JA 1/10W
C2003	303 367 0410	CERAMIC 0.1U K 50V	R2019	301 255 6513	MT-GLAZE 100 JA 1/10W
C2004	303 367 0410	CERAMIC 0.1U K 50V	R2020	301 255 6513	MT-GLAZE 100 JA 1/10W
C2006	303 367 0410	CERAMIC 0.1U K 50V	R2026	301 226 1516	MT-GLAZE 0.000 ZA 1/16W
C2007	303 367 0410	CERAMIC 0.1U K 50V	R2027	301 226 1516	MT-GLAZE 0.000 ZA 1/16W
C2008	303 367 0410	CERAMIC 0.1U K 50V	R2028	301 226 1516	MT-GLAZE 0.000 ZA 1/16W
C2009	303 367 0410	CERAMIC 0.1U K 50V	R2031	301 150 6014	MT-GLAZE 0.000 ZA 1/10W
C2011	303 367 0410	CERAMIC 0.1U K 50V	R2032	301 150 6014	MT-GLAZE 0.000 ZA 1/10W
C2824	303 367 0410	CERAMIC 0.1U K 50V	R2033	301 150 6014	MT-GLAZE 0.000 ZA 1/10W
C3001	303 367 0410	CERAMIC 0.1U K 50V	R2035	301 150 5819	MT-GLAZE 100K JA 1/10W
C3002	303 358 3215	CERAMIC 10U K 6.3V	R2036	301 150 5819	MT-GLAZE 100K JA 1/10W
	303 370 0018	CERAMIC 10U K 6.3V	R2824	301 255 6513	MT-GLAZE 100 JA 1/10W
	303 368 7319	CERAMIC 10U K 6.3V	R2826	301 150 5918	MT-GLAZE 10K JA 1/10W
C3003	303 367 0410	CERAMIC 0.1U K 50V	R2827	301 255 6513	MT-GLAZE 100 JA 1/10W
C3004	303 367 0410	CERAMIC 0.1U K 50V	R2828	301 255 6513	MT-GLAZE 100 JA 1/10W
C3811	303 157 3614	CERAMIC 100P J 50V	R2829	301 150 5819	MT-GLAZE 100K JA 1/10W
C3812	303 157 3614	CERAMIC 100P J 50V	R3001	301 258 2611	MT-GLAZE 150 FA 1/10W
C5001	303 396 9613	CERAMIC 1U K 25V	R3002	301 258 2611	MT-GLAZE 150 FA 1/10W
	303 397 7618	CERAMIC 1U K 25V	R3003	301 258 2611	MT-GLAZE 150 FA 1/10W
	403 478 5912	CERAMIC 1U K 25V	R3004	301 258 2611	MT-GLAZE 150 FA 1/10W
C5002	303 396 9613	CERAMIC 1U K 25V	R3005	301 258 2611	MT-GLAZE 150 FA 1/10W
	303 397 7618	CERAMIC 1U K 25V	R3006	301 258 2611	MT-GLAZE 150 FA 1/10W
	403 478 5912	CERAMIC 1U K 25V	R3007	301 258 2611	MT-GLAZE 150 FA 1/10W
C5004	303 396 9613	CERAMIC 1U K 25V	R3008	301 258 2611	MT-GLAZE 150 FA 1/10W
	303 397 7618	CERAMIC 1U K 25V	R3009	301 258 2611	MT-GLAZE 150 FA 1/10W
	403 478 5912	CERAMIC 1U K 25V	R3010	301 258 2611	MT-GLAZE 150 FA 1/10W
C5009	303 396 9613	CERAMIC 1U K 25V	R3011	301 162 2219	MT-GLAZE 10 JA 1/10W
	303 397 7618	CERAMIC 1U K 25V	R3012	301 162 2219	MT-GLAZE 10 JA 1/10W
	403 478 5912	CERAMIC 1U K 25V	R3013	301 255 6513	MT-GLAZE 100 JA 1/10W
C5011	303 394 5815	CERAMIC 4.7U K 16V	R3014	301 255 6513	MT-GLAZE 100 JA 1/10W
C5012	303 394 5815	CERAMIC 4.7U K 16V	R3015	301 255 6513	MT-GLAZE 100 JA 1/10W
C5013	303 394 5815	CERAMIC 4.7U K 16V	R3017	301 150 6212	MT-GLAZE 1K JA 1/10W
C5014	303 396 9613	CERAMIC 1U K 25V	R3018	301 256 6314	MT-GLAZE 47K JA 1/10W
	303 397 7618	CERAMIC 1U K 25V	R3019	301 256 5317	MT-GLAZE 56K JA 1/10W
	403 478 5912	CERAMIC 1U K 25V	R3020	301 150 6212	MT-GLAZE 1K JA 1/10W
C5021	303 396 9613	CERAMIC 1U K 25V	R3021	301 256 6314	MT-GLAZE 47K JA 1/10W
	303 397 7618	CERAMIC 1U K 25V	R3022	301 256 5317	MT-GLAZE 56K JA 1/10W
	403 478 5912	CERAMIC 1U K 25V	R3803	301 150 6014	MT-GLAZE 0.000 ZA 1/10W
C5022	303 396 9613	CERAMIC 1U K 25V	R3804	301 150 6014	MT-GLAZE 0.000 ZA 1/10W
	303 397 7618	CERAMIC 1U K 25V	R3814	301 150 5819	MT-GLAZE 100K JA 1/10W
	403 478 5912	CERAMIC 1U K 25V	R3815	301 150 5819	MT-GLAZE 100K JA 1/10W
C5024	403 455 1616	CERAMIC 10U K 16V	R3816	301 255 6513	MT-GLAZE 100 JA 1/10W
	403 478 5813	CERAMIC 10U K 16V	R3817	301 255 6513	MT-GLAZE 100 JA 1/10W
C5061	403 455 1616	CERAMIC 10U K 16V	R3818	301 256 6314	MT-GLAZE 47K JA 1/10W
	403 478 5813	CERAMIC 10U K 16V	R3819	301 256 6314	MT-GLAZE 47K JA 1/10W
C5069	403 455 1616	CERAMIC 10U K 16V	R3820	301 256 6314	MT-GLAZE 47K JA 1/10W
	403 478 5813	CERAMIC 10U K 16V	R3821	301 256 6314	MT-GLAZE 47K JA 1/10W
			R3822	301 256 6314	MT-GLAZE 47K JA 1/10W
			R3823	301 256 6314	MT-GLAZE 47K JA 1/10W
			R3824	301 256 6314	MT-GLAZE 47K JA 1/10W
<b>RESISTOR</b>			R5001	301 037 5017	MT-GLAZE 0.000 ZA 1/10W

**Electrical Parts List**

Key No. Part No. Description			Key No. Part No. Description		
R5002	301 225 8110	MT-GLAZE 10 JA 1/16W			
R5003	301 225 8110	MT-GLAZE 10 JA 1/16W			
R5031	301 224 8814	MT-GLAZE 100 JA 1/16W	K38B	645 095 2647	JACK,PHONE D3.6
R5032	301 224 8814	MT-GLAZE 100 JA 1/16W	SC1007	945 076 3503	SOCKET,USB 4P
R5033	301 225 0213	MT-GLAZE 3.3K JA 1/16W	SC1008	945 076 3503	SURGE-ABSORBER
R5034	301 224 9316	MT-GLAZE 1K JA 1/16W	SC2001	945 076 3503	SURGE-ABSORBER
R5036	301 225 0213	MT-GLAZE 3.3K JA 1/16W	SC2002	945 076 3503	SURGE-ABSORBER
R5037	301 224 9316	MT-GLAZE 1K JA 1/16W	SC2003	945 076 3503	SURGE-ABSORBER
R5061	301 224 9316	MT-GLAZE 1K JA 1/16W	SC2004	945 076 3503	SURGE-ABSORBER
R5062	301 225 0213	MT-GLAZE 3.3K JA 1/16W	SC2006	945 076 3503	SURGE-ABSORBER
R5063	301 224 9316	MT-GLAZE 1K JA 1/16W	SC3001	945 076 3503	SURGE-ABSORBER
R5064	301 224 9316	MT-GLAZE 1K JA 1/16W	SC3002	945 076 3503	SURGE-ABSORBER
R5066	301 225 0213	MT-GLAZE 3.3K JA 1/16W	SC3003	945 076 3503	SURGE-ABSORBER
R5067	301 224 9316	MT-GLAZE 1K JA 1/16W	SC3004	945 076 3503	SURGE-ABSORBER
R5069	301 225 8011	MT-GLAZE 330 JA 1/16W	SC3006	945 076 3503	SURGE-ABSORBER
<b>COIL</b>			SC3813	945 076 3503	SURGE-ABSORBER
L2001	945 086 7577	FILTER,EMI 400MHZ	SC3814	945 076 3503	SURGE-ABSORBER
L2002	945 086 7577	FILTER,EMI 400MHZ	SC3815	945 076 3503	SURGE-ABSORBER
L2003	945 086 7577	FILTER,EMI 400MHZ	SC3816	945 076 3503	SURGE-ABSORBER
L2004	945 086 7560	FILTER,EMI 200MHZ	SC3817	945 076 3503	SURGE-ABSORBER
L2006	945 086 7560	FILTER,EMI 200MHZ	SC3818	945 076 3503	SURGE-ABSORBER
L2007	301 035 4111	MT-GLAZE 0.000 ZA 1/8W	SC3819	945 076 3503	SURGE-ABSORBER
L2821	945 086 7454	FILTER,EMI 50MHZ	SC3821	945 076 3503	SURGE-ABSORBER
L2822	945 086 7454	FILTER,EMI 50MHZ			
L3001	945 086 7577	FILTER,EMI 400MHZ			
L3002	945 086 7577	FILTER,EMI 400MHZ	<b>A3600 655 003 0962 ASSY,PWB,NET JOINT KA8AL</b>		
L3003	945 086 7577	FILTER,EMI 400MHZ	<b>TRANSISTOR</b>		
L3004	945 086 7461	FILTER,EMI 100MHZ	Q3601	305 014 4512	TR 2SC2412K T146 R
L3006	945 086 7461	FILTER,EMI 100MHZ		305 014 4611	TR 2SC2412K T146 S
L3803	945 070 3660	INDUCTOR,90 OHM		305 015 8727	TR 2SC2812-L6-TB
L3804	945 059 2240	INDUCTOR,2.2U M		305 015 8925	TR 2SC2812-L7-TB
L3811	945 086 7454	FILTER,EMI 50MHZ		305 163 1615	TR 2SC2812N-L6-TB0
L3812	945 086 7454	FILTER,EMI 50MHZ		305 173 9816	TR 2SC3928A1R
L3813	945 086 7454	FILTER,EMI 50MHZ		305 173 9915	TR 2SC3928A1S
L3814	945 086 7454	FILTER,EMI 50MHZ	Q3602	305 047 9010	TR 2SB1204-S-TL-E
L3815	945 086 7454	FILTER,EMI 50MHZ	Q3603	305 014 4512	TR 2SC2412K T146 R
L3816	945 086 7454	FILTER,EMI 50MHZ		305 014 4611	TR 2SC2412K T146 S
L3817	945 086 7454	FILTER,EMI 50MHZ		305 015 8727	TR 2SC2812-L6-TB
L3818	945 086 7454	FILTER,EMI 50MHZ		305 015 8925	TR 2SC2812-L7-TB
L8166	945 086 5368	IMPEDANCE,220 OHM P		305 163 1615	TR 2SC2812N-L6-TB0
				305 173 9816	TR 2SC3928A1R
				305 173 9915	TR 2SC3928A1S
<b>DIODE</b>			<b>INTEGRATED CIRCUIT</b>		
D2821	307 254 2914	ZENER DIODE 02DZ6.8Y(TPH3)	IC1883	309 246 9710	IC LA6358NM-TE-L-E
D2822	307 254 2914	ZENER DIODE 02DZ6.8Y(TPH3)	IC9887	309 673 9819	IC PQ070XNA1ZPH
D2823	307 254 2914	ZENER DIODE 02DZ6.8Y(TPH3)			
D5061	307 163 0414	DIODE 1SS352-(TPH3)			
	307 149 0810	DIODE 1SS355-TE-17			
D5062	307 163 0414	DIODE 1SS352-(TPH3)	<b>CAPACITOR</b>		
	307 149 0810	DIODE 1SS355-TE-17	C1886	303 409 3426	CERAMIC 0.1U K 16V
<b>MISCELLANEOUS</b>			C1890	303 358 3215	CERAMIC 10U K 6.3V
IC2821	307 223 7315	PC TLP421F(D4-GB-TP4)		303 370 0018	CERAMIC 10U K 6.3V
	307 223 8312	PC TLP421F(D4-GR-TP4)		303 368 7319	CERAMIC 10U K 6.3V
	407 265 7813	PC TLP781F(D4-GB-TP7)	C1891	303 409 3426	CERAMIC 0.1U K 16V
K20C	945 086 7676	SOCKET,BNC 1P	C1892	303 409 3426	CERAMIC 0.1U K 16V
	645 099 2209	SOCKET,BNC 1P	C1893	303 409 3426	CERAMIC 0.1U K 16V
K20D	645 067 7267	SOCKET,BNC 4P	C3610	303 409 3426	CERAMIC 0.1U K 16V
	645 099 2216	SOCKET,BNC 4P	C3611	303 381 5316	ELECT 100U M 16V
K30A	652 003 0480	JACK,RCA-2	C3612	303 409 3426	CERAMIC 0.1U K 16V
K30B	945 067 6124	TERMINAL,BOARD	C3613	303 358 8319	CERAMIC 1U K 10V
	952 001 7932	TERMINAL, BOARD	C3614	303 358 8319	CERAMIC 1U K 10V
K30C	652 003 0473	JACK,RCA-2	C3615	303 358 3215	CERAMIC 10U K 6.3V
K30D	945 076 2742	JACK,PHON D3.6		303 370 0018	CERAMIC 10U K 6.3V
	652 002 1808	JACK,PHONE D3.6		303 368 7319	CERAMIC 10U K 6.3V
	652 002 4847	JACK,PHONE D3.6	C3616	303 367 0410	CERAMIC 0.1U K 50V
K30E	945 076 2742	JACK,PHON D3.6		303 370 1510	CERAMIC 0.1U K 50V
	652 002 1808	JACK,PHONE D3.6	C3617	303 409 3426	CERAMIC 0.1U K 16V
			C3619	303 381 5316	ELECT 100U M 16V

Electrical Parts List

Key No.	Part No.	Description	Key No.	Part No.	Description
C3620	303 409 3426	CERAMIC 0.1U K 16V	C2852	303 157 6615	CERAMIC 470P K 50V
<b>RESISTOR</b>			C2853	303 450 7012	CERAMIC 47U K 10V
R1885	301 226 1516	MT-GLAZE 0.000 ZA 1/16W	C2854	303 358 8319	CERAMIC 1U K 10V
R1886	301 226 1516	MT-GLAZE 0.000 ZA 1/16W	C2855	303 157 6615	CERAMIC 470P K 50V
R1887	301 226 1516	MT-GLAZE 0.000 ZA 1/16W	C2856	303 450 7012	CERAMIC 47U K 10V
R1889	301 226 1516	MT-GLAZE 0.000 ZA 1/16W	C6891	303 367 0410	CERAMIC 0.1U K 50V
R1890	301 226 1516	MT-GLAZE 0.000 ZA 1/16W	<b>RESISTOR</b>		
R1894	301 225 1210	MT-GLAZE 4.7K JA 1/16W	R2851	301 256 5614	MT-GLAZE 47 JA 1/10W
R1895	301 225 1210	MT-GLAZE 4.7K JA 1/16W	R2852	301 255 6513	MT-GLAZE 100 JA 1/10W
R1897	301 225 1210	MT-GLAZE 4.7K JA 1/16W	R2853	301 256 5614	MT-GLAZE 47 JA 1/10W
R1898	301 226 1516	MT-GLAZE 0.000 ZA 1/16W	R2854	301 255 6513	MT-GLAZE 100 JA 1/10W
R3610	301 150 6014	MT-GLAZE 0.000 ZA 1/10W	R6891	301 150 6014	MT-GLAZE 0.000 ZA 1/10W
R3611	301 150 6014	MT-GLAZE 0.000 ZA 1/10W	R6892	301 150 6014	MT-GLAZE 0.000 ZA 1/10W
R3612	301 150 6014	MT-GLAZE 0.000 ZA 1/10W	R6893	301 150 6014	MT-GLAZE 0.000 ZA 1/10W
R3613	301 150 6014	MT-GLAZE 0.000 ZA 1/10W	R6894	301 150 6014	MT-GLAZE 0.000 ZA 1/10W
R3614	301 162 2219	MT-GLAZE 10 JA 1/10W	R6895	301 150 6014	MT-GLAZE 0.000 ZA 1/10W
R3615	301 150 6014	MT-GLAZE 0.000 ZA 1/10W	R6896	301 255 5813	MT-GLAZE 2K JA 1/10W
R3616	301 150 6014	MT-GLAZE 0.000 ZA 1/10W	<b>DIODE</b>		
R3617	301 150 6014	MT-GLAZE 0.000 ZA 1/10W	D6881	307 203 7915	LED SML-210MT T86 M
R3618	301 150 6014	MT-GLAZE 0.000 ZA 1/10W	D6882	307 203 7816	LED SML-210LT T86 M
R3619	301 150 5918	MT-GLAZE 10K JA 1/10W	D6883	307 203 7816	LED SML-210LT T86 M
R3620	301 150 5918	MT-GLAZE 10K JA 1/10W	D6884	307 209 7513	LED SML-210YT T86 L
R3621	301 256 4914	MT-GLAZE 360 JA 1/10W	D6885	307 203 7717	LED SML-210DT T86 L
R3623	301 037 5017	MT-GLAZE 0.000 ZA 1/10W	D6886	407 259 7515	LED SMLE12BC7TT86
R3624	301 150 5918	MT-GLAZE 10K JA 1/10W	D6892	307 223 0514	ZENER DIODE 02DZ12Y(TPH3)
R3625	301 264 1813	MT-GLAZE 1K FA 1/10W		307 221 7119	ZENER DIODE UDZS-TE-1712B
R3626	301 162 2714	MT-GLAZE 180 JA 1/10W		408 063 1802	ZENER DIODE MM3Z12B
R3627	301 264 3718	MT-GLAZE 1.5K FA 1/10W	<b>MISCELLANEOUS</b>		
R3628	301 037 5017	MT-GLAZE 0.000 ZA 1/10W	AU2801	945 084 1997	UNIT,REMOCON RECEIVER
R3629	301 150 5918	MT-GLAZE 10K JA 1/10W	AU2801A	610 349 0656	HOLDER RC-KA8AL
R3630	301 150 5918	MT-GLAZE 10K JA 1/10W	AU2803	645 101 9004	UNIT,REMOCON RECEIVER
R3631	301 150 6014	MT-GLAZE 0.000 ZA 1/10W	<b>A6870 655 003 0948 ASSY,PWB ,CONTROL KA8AL</b>		
R3632	301 162 2219	MT-GLAZE 10 JA 1/10W	<b>CAPACITOR</b>		
R3633	301 162 2219	MT-GLAZE 10 JA 1/10W	C6878	303 409 3426	CERAMIC 0.1U K 16V
R3634	301 190 1710	MT-GLAZE 0.000 ZA 1W	<b>RESISTOR</b>		
<b>COIL</b>			R6871	301 225 1814	MT-GLAZE 47 JA 1/16W
L3610	945 073 6408	IMPEDANCE,100 OHM -	R6872	301 225 1814	MT-GLAZE 47 JA 1/16W
L3612	945 073 6408	IMPEDANCE,100 OHM -	R6873	301 225 1814	MT-GLAZE 47 JA 1/16W
L3613	945 073 6408	IMPEDANCE,100 OHM -	R6874	301 225 1814	MT-GLAZE 47 JA 1/16W
L3625	945 002 5045	INDUCTOR,0.10U M	R6875	301 225 1814	MT-GLAZE 47 JA 1/16W
L3626	945 002 5045	INDUCTOR,0.10U M	R6876	301 225 1814	MT-GLAZE 47 JA 1/16W
L3627	945 002 5045	INDUCTOR,0.10U M	R6878	301 226 1516	MT-GLAZE 0.000 ZA 1/16W
<b>DIODE</b>			<b>DIODE</b>		
D3601	307 163 0414	DIODE 1SS352-(TPH3)	D6871	307 222 5916	ZENER DIODEUDZS3.6B-TE-17
	307 149 0810	DIODE 1SS355-TE-17		408 063 4209	ZENER DIODE MM3Z3V6B
D3602	307 163 0414	DIODE 1SS352-(TPH3)	D6872	307 163 0414	DIODE 1SS352-(TPH3)
	307 149 0810	DIODE 1SS355-TE-17		307 149 0810	DIODE 1SS355-TE-17
D3603	307 223 5014	DIODE D1FM3		408 062 7201	DIODE 1SS35
<b>MISCELLANEOUS</b>			D6873	307 222 5916	ZENER DIODEUDZS3.6B-TE-17
K31B	645 098 7168	PLUG,D-SUB 25P		408 063 4209	ZENER DIODE MM3Z3V6B
SC3611	945 076 3503	SURGE-ABSORBER		307 149 0810	DIODE 1SS352-(TPH3)
SC3612	945 076 3503	SURGE-ABSORBER		307 149 0810	DIODE 1SS355-TE-17
SC3613	945 076 3503	SURGE-ABSORBER		408 062 7201	DIODE 1SS35
SC3614	945 076 3503	SURGE-ABSORBER	D6874	307 222 5916	ZENER DIODEUDZS3.6B-TE-17
SC3615	945 076 3503	SURGE-ABSORBER		408 063 4209	ZENER DIODE MM3Z3V6B
SC3616	945 076 3503	SURGE-ABSORBER		307 163 0414	DIODE 1SS352-(TPH3)
SC3617	945 076 3503	SURGE-ABSORBER		307 149 0810	DIODE 1SS355-TE-17
SC3618	945 076 3503	SURGE-ABSORBER		408 062 7201	DIODE 1SS35
<b>A6800 655 003 0955 ASSY,PWB,F/T RC+LED KA8AL</b>			D6875	307 222 5916	ZENER DIODEUDZS3.6B-TE-17
<b>CAPACITOR</b>				408 063 4209	ZENER DIODE MM3Z3V6B
C2851	303 358 8319	CERAMIC 1U K 10V	D6876	307 163 0414	DIODE 1SS352-(TPH3)
				307 149 0810	DIODE 1SS355-TE-17
				408 062 7201	DIODE 1SS35
			D6877	307 222 5916	ZENER DIODEUDZS3.6B-TE-17
				408 063 4209	ZENER DIODE MM3Z3V6B

**Electrical Parts List**

Key No. Part No. Description			Key No. Part No. Description		
D6878	307 222 5916	ZENER DIODEUDZS3.6B-TE-17	Q681	305 014 4512	TR 2SC2412K T146 R
	408 063 4209	ZENER DIODE MM3Z3V6B		305 014 4611	TR 2SC2412K T146 S
D6879	307 222 5916	ZENER DIODEUDZS3.6B-TE-17		305 015 8727	TR 2SC2812-L6-TB
	408 063 4209	ZENER DIODE MM3Z3V6B		305 015 8925	TR 2SC2812-L7-TB
D6880	307 222 5916	ZENER DIODEUDZS3.6B-TE-17		305 163 1615	TR 2SC2812N-L6-TB0
	408 063 4209	ZENER DIODE MM3Z3V6B		305 173 9816	TR 2SC3928A1R
D6895	307 223 0514	ZENER DIODE 02DZ12Y(TPH3)		305 173 9915	TR 2SC3928A1S
	307 221 7119	ZENER DIODE UDZS-TE-1712B	Q682	305 014 4512	TR 2SC2412K T146 R
	408 063 1802	ZENER DIODE MM3Z12B		305 014 4611	TR 2SC2412K T146 S
<b>MISCELLANEOUS</b>				305 015 8727	TR 2SC2812-L6-TB
SW6871	945 026 2792	SWITCH,PUSH 1P-1TX1		305 015 8925	TR 2SC2812-L7-TB
SW6872	945 026 2792	SWITCH,PUSH 1P-1TX1		305 163 1615	TR 2SC2812N-L6-TB0
SW6873	945 026 2792	SWITCH,PUSH 1P-1TX1		305 173 9816	TR 2SC3928A1R
SW6874	945 026 2792	SWITCH,PUSH 1P-1TX1		305 173 9915	TR 2SC3928A1S
SW6875	945 026 2792	SWITCH,PUSH 1P-1TX1	<b>INTEGRATED CIRCUIT</b>		
SW6876	945 026 2792	SWITCH,PUSH 1P-1TX1	IC601	309 523 1413	IC FA5502M
SW6877	945 026 2792	SWITCH,PUSH 1P-1TX1	IC603	409 700 8703	IC STR-A6079
SW6878	945 026 2792	SWITCH,PUSH 1P-1TX1	IC651	309 558 4202	IC STR-Z2156A
SW6879	945 026 2792	SWITCH,PUSH 1P-1TX1	IC681	409 692 2515	IC TA76L431FB
SW6880	945 026 2792	SWITCH,PUSH 1P-1TX1	<b>CAPACITOR</b>		
<b>AA600 655 003 0924 ASSY, PWB, POWER KA8AL</b>			△ C601	304 088 8805	MT-POLYEST 0.22U M 275V
<b>TRANSISTOR</b>				304 094 1807	MT-POLYEST 0.22U K 275V
Q601	405 218 6002	TR 2SK3934 LBS1	△ C602	304 088 8805	MT-POLYEST 0.22U M 275V
Q604	405 218 6002	TR 2SK3934 LBS1		304 094 1807	MT-POLYEST 0.22U K 275V
Q612	305 014 4512	TR 2SC2412K T146 R	△ C603	304 073 5109	CERAMIC 470P K 250V
	305 014 4611	TR 2SC2412K T146 S	△ C604	304 073 5109	CERAMIC 470P K 250V
	305 015 8727	TR 2SC2812-L6-TB	△ C605	304 088 8805	MT-POLYEST 0.22U M 275V
	305 015 8925	TR 2SC2812-L7-TB		304 094 1807	MT-POLYEST 0.22U K 275V
	305 163 1615	TR 2SC2812N-L6-TB0	△ C606	304 073 4508	CERAMIC 2200P K 250V
	305 173 9816	TR 2SC3928A1R	△ C607	303 371 8518	MT-POLYEST 1U K 400V
	305 173 9915	TR 2SC3928A1S	△ C608	303 222 1326	CERAMIC 1000P K 1K
Q613	305 134 5928	TR 2SA1037AK-T146-R	△ C609	303 222 1326	CERAMIC 1000P K 1K
	305 147 2218	TR 2SA1037AK-S-T146	△ C610	304 073 4508	CERAMIC 2200P K 250V
	305 173 9618	TR 2SA1235A1E	△ C611	303 371 8518	MT-POLYEST 1U K 400V
	305 173 9717	TR 2SA1235A1F	C613	303 410 7113	ELECT 100U M 25V
	405 220 3115	TR ISA1235AC1E	C614	303 410 7113	ELECT 100U M 25V
	405 220 3016	TR ISA1235AC1F	C616	404 115 2704	ELECT 330U M 420V
Q621	305 014 4512	TR 2SC2412K T146 R		404 115 6306	ELECT 330U M 420V
	305 014 4611	TR 2SC2412K T146 S	C618	303 427 1814	MT-POLYEST 0.1U K 450V
	305 015 8727	TR 2SC2812-L6-TB	C619	303 298 9612	CERAMIC 0.1U K 16V
	305 015 8925	TR 2SC2812-L7-TB	C621	303 205 2811	CERAMIC 0.047U K 25V
	305 163 1615	TR 2SC2812N-L6-TB0	C622	303 157 6417	CERAMIC 330P K 50V
	305 173 9816	TR 2SC3928A1R	C623	303 215 2214	CERAMIC 0.01U K 50V
	305 173 9915	TR 2SC3928A1S	C624	303 342 3313	CERAMIC 0.1U K 25V
Q622	305 134 5928	TR 2SA1037AK-T146-R	C625	303 394 5815	CERAMIC 4.7U K 16V
	305 147 2218	TR 2SA1037AK-S-T146	C627	303 342 3313	CERAMIC 0.1U K 25V
	305 173 9618	TR 2SA1235A1E	C628	303 157 3317	CERAMIC 68P J 50V
	305 173 9717	TR 2SA1235A1F	C629	303 157 6615	CERAMIC 470P K 50V
	405 220 3115	TR ISA1235AC1E	C630	303 342 3313	CERAMIC 0.1U K 25V
	405 220 3016	TR ISA1235AC1F	C631	303 298 9612	CERAMIC 0.1U K 16V
Q651	305 134 5928	TR 2SA1037AK-T146-R	C632	303 342 3313	CERAMIC 0.1U K 25V
	305 147 2218	TR 2SA1037AK-S-T146	C633	303 342 3313	CERAMIC 0.1U K 25V
	305 173 9618	TR 2SA1235A1E	C635	303 409 9913	ELECT 470U M 16V
	305 173 9717	TR 2SA1235A1F	C636	303 427 1814	MT-POLYEST 0.1U K 450V
	405 220 3115	TR ISA1235AC1E	C637	403 477 6514	MT-POLYEST 0.01U J 630V
	405 220 3016	TR ISA1235AC1F	C640	304 097 3204	ELECT 22U M 50V
Q652	305 014 4512	TR 2SC2412K T146 R	C641	303 215 2214	CERAMIC 0.01U K 50V
	305 014 4611	TR 2SC2412K T146 S	C642	404 122 5002	ELECT 15U M 450V
	305 015 8727	TR 2SC2812-L6-TB	C650	303 342 3313	CERAMIC 0.1U K 25V
	305 015 8925	TR 2SC2812-L7-TB	C651	303 268 7013	TA-SOLID 2.2U M 35V
	305 163 1615	TR 2SC2812N-L6-TB0	C652	403 366 2917	CERAMIC 0.22U K 50V
	305 173 9816	TR 2SC3928A1R	C653	303 113 3818	CERAMIC 1000P K 50V
	305 173 9915	TR 2SC3928A1S	C654	303 247 3319	CERAMIC 330P K 2K
			C656	303 342 3313	CERAMIC 0.1U K 25V
			C657	303 218 8817	CERAMIC 220P K 2K
			C658	303 083 4310	POLYPRO 0.022U J 400V

Electrical Parts List

Key No. Part No. Description				Key No. Part No. Description			
C659	303 157 6813	CERAMIC	680P K 50V	R670	301 162 3711	MT-GLAZE	4.7K JA 1/10W
C660	303 427 1814	MT-POLYEST	0.1U K 450V	R671	301 150 6212	MT-GLAZE	1K JA 1/10W
C661	303 208 1415	TA-SOLID	1U M 25V	R672	301 257 7419	MT-GLAZE	120 JA 1/3W
	303 411 5712	TA-SOLID	1U M 25V	R673	301 162 3711	MT-GLAZE	4.7K JA 1/10W
C662	303 411 1823	ELECT	220U M 35V	R674	301 256 2613	MT-GLAZE	2.4K JA 1/10W
C663	303 342 3313	CERAMIC	0.1U K 25V	R679	301 264 4715	MT-GLAZE	1.8K FA 1/10W
C664	303 281 2415	CERAMIC	0.22U K 16V	R680	301 150 6212	MT-GLAZE	1K JA 1/10W
	303 364 5913	CERAMIC	0.22U K 16V	R681	301 150 5918	MT-GLAZE	10K JA 1/10W
C680	303 370 9110	CERAMIC	0.068U K 50V	R682	301 256 6215	MT-GLAZE	270 JA 1/10W
C681	303 410 7509	ELECT	4700U M 25V	R683	301 150 6212	MT-GLAZE	1K JA 1/10W
C682	303 342 3313	CERAMIC	0.1U K 25V	R684	301 150 5918	MT-GLAZE	10K JA 1/10W
C683	303 445 3903	ELECT	3900U M 10V	R685	301 162 3711	MT-GLAZE	4.7K JA 1/10W
C684	303 342 3313	CERAMIC	0.1U K 25V	R686	301 162 3414	MT-GLAZE	39K JA 1/10W
C685	303 399 2126	ELECT	220U M 16V	R687	301 265 2611	MT-GLAZE	5.1K FA 1/10W
C686	303 348 5826	CERAMIC	0.47U K 10V	R688	301 150 5918	MT-GLAZE	10K JA 1/10W
C688	303 342 3313	CERAMIC	0.1U K 25V	R689	301 150 6212	MT-GLAZE	1K JA 1/10W
C691	303 337 9511	CERAMIC	0.15U K 10V	R690	301 150 6212	MT-GLAZE	1K JA 1/10W
C692	403 455 1418	CERAMIC	2.2U K 16V	R691	301 256 7311	MT-GLAZE	6.8K JA 1/10W
△ C693	304 073 4508	CERAMIC	2200P K 250V	R692	301 150 6212	MT-GLAZE	1K JA 1/10W
<b>RESISTOR</b>				<b>VARIABLE RESISTOR</b>			
△ R600	301 242 3914	MT-GLAZE	240K JA 1/2W	△ VA601	408 066 1700	VD TND14SE471KB0SLAA0	
△ R601	301 242 3914	MT-GLAZE	240K JA 1/2W	VR601	945 025 7415	VR,SEMI,1K S	
△ R602	301 242 3914	MT-GLAZE	240K JA 1/2W	<b>TRANSFORMER</b>			
△ R603	301 242 3914	MT-GLAZE	240K JA 1/2W	T601	645 089 2561	INDUCTOR,700U	
R604	301 258 8217	MT-GLAZE	680 JA 1/3W	△ T651	945 085 7035	TRANS,POWER,PULSE	
R606	302 080 8809	MT-GLAZE	680 KA 1W	△ T652	652 003 0572	TRANS,POWER,PULSE	
R611	301 287 5713	MT-GLAZE	220K JA 1W	<b>COIL</b>			
R612	301 256 2613	MT-GLAZE	2.4K JA 1/10W	△ L601	945 061 3990	LINE FILTER	
R613	302 106 5508	RESISTER	0.075 KB 5W	△ L602	945 061 3990	LINE FILTER	
R614	402 109 8206	RESISTER	0.15 JB 5W	△ L603	945 081 4878	LINE FILTER	
R618	301 162 3711	MT-GLAZE	4.7K JA 1/10W	L611	645 089 2677	FILTER,EMI 1500PF	
R619	301 150 6014	MT-GLAZE	0.000 ZA 1/10W	L614	645 089 2677	FILTER,EMI 1500PF	
R621	301 255 8715	MT-GLAZE	22 JA 1/10W	L615	645 089 2677	FILTER,EMI 1500PF	
R622	301 264 9413	MT-GLAZE	33K FA 1/10W	L616	645 089 2677	FILTER,EMI 1500PF	
R623	301 234 8118	MT-GLAZE	4.7 JA 1W	△ LF601	645 093 1765	SOCKET,INLET AC 3P	
R624	301 255 6513	MT-GLAZE	100 JA 1/10W	<b>DIODE</b>			
R626	301 152 3219	MT-GLAZE	330 JA 1/10W	D601	307 247 8827	DIODE RF101L2S	
R627	301 265 0914	MT-GLAZE	4.7 JA 1/10W	D6010	307 164 4015	DIODE RB160L-40-TE25	
R628	301 255 6513	MT-GLAZE	100 JA 1/10W		307 149 6327	DIODE SFPB-54V	
R630	301 150 6014	MT-GLAZE	0.000 ZA 1/10W	D603	307 164 4015	DIODE RB160L-40-TE25	
R631	301 150 5918	MT-GLAZE	10K JA 1/10W		307 149 6327	DIODE SFPB-54V	
R632	301 150 6410	MT-GLAZE	4.3K JA 1/10W	D604	307 253 7405	DIODE FMXA-1106S	
R633	301 162 3810	MT-GLAZE	470K JA 1/10W	D604D	645 098 1715	CORE,FERRITE	
R634	301 256 5812	MT-GLAZE	270K JA 1/10W	D604E	645 098 1715	CORE,FERRITE	
R635	301 255 6513	MT-GLAZE	100 JA 1/10W	D606	307 163 0414	DIODE 1SS352-(TPH3)	
R636	301 152 3110	MT-GLAZE	620 JA 1/10W		307 149 0810	DIODE 1SS355-TE-17	
R637	301 150 6014	MT-GLAZE	0.000 ZA 1/10W		408 062 7201	DIODE 1SS35	
R638	301 259 9015	MT-GLAZE	150K FA 1/2W	D607	307 163 0414	DIODE 1SS352-(TPH3)	
R639	301 259 9015	MT-GLAZE	150K FA 1/2W		307 149 0810	DIODE 1SS355-TE-17	
R640	301 265 0914	MT-GLAZE	4.7 JA 1/10W		408 062 7201	DIODE 1SS35	
R641	301 259 9015	MT-GLAZE	150K FA 1/2W		307 163 0414	DIODE 1SS352-(TPH3)	
R642	301 259 9015	MT-GLAZE	150K FA 1/2W		307 149 0810	DIODE 1SS355-TE-17	
R644	301 225 5614	MT-GLAZE	2.2 JA 1W		408 062 7201	DIODE 1SS35	
R647	301 256 6611	MT-GLAZE	68K JA 1/10W	D608	307 163 0414	DIODE 1SS352-(TPH3)	
R648	301 162 2417	MT-GLAZE	1.2K JA 1/10W		307 149 0810	DIODE 1SS355-TE-17	
R649	301 255 9514	MT-GLAZE	220K JA 1/10W		408 062 7201	DIODE 1SS35	
R650	301 255 8517	MT-GLAZE	9.1K JA 1/10W		307 163 0414	DIODE 1SS352-(TPH3)	
R653	301 275 2915	MT-GLAZE	68K JA 1W		307 149 0810	DIODE 1SS355-TE-17	
R654	301 275 2915	MT-GLAZE	68K JA 1W		408 062 7201	DIODE 1SS35	
R655	301 162 4015	MT-GLAZE	560 JA 1/10W		307 163 0414	DIODE 1SS352-(TPH3)	
R656	301 275 2915	MT-GLAZE	68K JA 1W		307 149 0810	DIODE 1SS355-TE-17	
R657	301 275 2915	MT-GLAZE	68K JA 1W		408 062 7201	DIODE 1SS35	
△ R658	302 081 2905	FUSIBLE RES	22 JH 1/2W		307 163 0414	DIODE 1SS352-(TPH3)	
R659	301 238 4512	MT-GLAZE	47 JA 1/3W		307 149 0810	DIODE 1SS355-TE-17	
△ R660	302 081 2905	FUSIBLE RES	22 JH 1/2W		408 062 7201	DIODE 1SS35	
△ R661	324 006 1305	FUSE	250V 2.5A	D613	307 247 8827	DIODE RF101L2S	

**Electrical Parts List**

Key No.	Part No.	Description	Key No.	Part No.	Description
D614	307 247 8827	DIODE RF101L2S			
D615	307 163 0414	DIODE 1SS352-(TPH3)			
	307 149 0810	DIODE 1SS355-TE-17			
	408 062 7201	DIODE 1SS35			
D616	307 247 8827	DIODE RF101L2S			
D617	307 146 8116	DIODE EG01C			
D618	307 007 7725	DIODE EU2AV0			
D621	307 007 7725	DIODE EU2AV0			
D651	307 247 8827	DIODE RF101L2S			
D652	407 256 3213	DIODE CRF03(TE85L)			
D653	307 223 0514	ZENER DIODE 02DZ12Y(TPH3)			
	307 221 7119	ZENER DIODE UDZS-TE-1712B			
	408 063 1802	ZENER DIODE MM3Z12B			
D654	307 163 0414	DIODE 1SS352-(TPH3)			
	307 149 0810	DIODE 1SS355-TE-17			
	408 062 7201	DIODE 1SS35			
D681	307 202 9801	DIODE FMB-26L			
	307 253 7504	DIODE RB085T-60			
D682	307 202 9801	DIODE FMB-26L			
	307 253 7504	DIODE RB085T-60			
D683	307 247 8827	DIODE RF101L2S			
D686	307 223 1115	ZENER DIODE 02DZ6.2Y(TPH3)			
	307 209 1214	ZD UDZS-TE-176.2B			
	408 063 7507	ZENER DIODE MM3Z6V2B			
D687	307 210 5416	DIODE RB551V-30-TE-17			
DB601	307 143 6006	DIODE RBV-1506			
	308 045 4909	DIODE RBV-1506 LF-B			
DS601	307 219 0808	THYRISTOR TF861S			
DS602	409 692 2515	IC TA76L431FB			
<b>MISCELLANEOUS</b>					
△ F601	323 027 2605	FUSE	250V	10A	
FB601	910 244 3975	CORE			
FB602	910 244 3975	CORE			
FB605	910 244 3975	CORE			
FB609	910 244 3975	CORE			
Q601C	645 098 1715	CORE,FERRITE			
△ PC601	307 223 7315	PC TLP421F(D4-GB-TP4)			
	307 223 8312	PC TLP421F(D4-GR-TP4)			
	407 265 7813	PC TLP781F(D4-GB-TP7)			
△ PC602	307 223 7315	PC TLP421F(D4-GB-TP4)			
	307 223 8312	PC TLP421F(D4-GR-TP4)			
	407 265 7813	PC TLP781F(D4-GB-TP7)			
△ PC603	307 223 7315	PC TLP421F(D4-GB-TP4)			
	307 223 8312	PC TLP421F(D4-GR-TP4)			
	407 265 7813	PC TLP781F(D4-GB-TP7)			
PTH601	308 037 5600	THERMISTOR NTPDB8R0LDHBO			
PTH652	308 061 3900	TH PRF18BC471QB1RB			

**Electrical Parts List**

Key No. Part No. Description	Key No. Part No. Description





## Schematic Diagrams Printed Wiring Board Drawings

<b>Model</b>	<b>Chassis No.</b>
PLC-XM150	KA8-XM15000
PLC-XM150L	KA8-XM150L00
PLC-XM100	KZ5-XM10000
PLC-XM100L	KZ5-XM100L00

These schematic diagrams and printed wiring board drawings are part of the service manual original for chassis No. KA8-XM15000 / KA8-XM150L00 / KZ5-XM10000 / KZ5-XM100L00 models PLC-XM150/ PLC-XM150L / PLC-XM100 / PLC-XM100L.

File with the service manual No. SM5111174-00

**Note:**

All the information of part numbers and values indicated on these diagrams are at the beginning of production. To improve the performance, there may be some differences to the actual set. When you order the service parts, use service parts code mentioned on the parts list in this service manual.

# Parts description and reading in schematic diagram

1. The parts specification of resistors, capacitors and coils are expressed in designated code. Please check the parts description by the following code table.
2. Some of transistors and diodes are indicated in mark for the substitution of parts name. Please check the parts name by the following code table.
3. Voltages and waveforms were taken with a video color bar signal (1Vp-p at 75 ohms terminated) and controls to normal.
4. Voltages were taken with a high-impedance digital voltmeter.

## Capacitor Reading

Example 2000 K K 1000 BG

Example 160 E M 10

Characteristic

Capacitance value  
Excepting electric capacitors, all capacitance values of less than 1 are expressed in  $\mu\text{F}$  and more than 1 are in pF.

Tolerance

Type

Rated voltage

### Material table

Mark	Material
E	Electrolytic
P	Electrolytic (non-polarized)
C	Ceramic (temperature compensation)
K	Ceramic
F	Polyester
N	Polypropylene
M	Metalized polypropylene
H	Metalized polypropylar
B	Ceramic (semiconductor)
G	Metalized polyester
Y	Composite film
S	Styrol
T	Tantalum oxide solid electrolytic
U	Organic semiconductive electrolyte
D	Electric double layer electrolytic

### Tolerance table

Mark	Tolerance
A	not specified
B	$\pm 0.1$
C	$\pm 0.25$
D	$\pm 0.5$
F	$\pm 1$
G	$\pm 2$
E	$\pm 2.5$
H	$\pm 3$
J	$\pm 5$
K	$\pm 10$
M	$\pm 20$
N	$\pm 30$
P	+100 -0
Q	+30 -10
T	+50 -10
U	+75 -10
V	+20 -10
W	+100 -10
X	+40 -20
Y	+150 -10
Z	+80 -20

## Coil Reading

Example L2 C1 4R7 K N

Tolerance

Inductance value

Manufacture code

Unique code

Mark	Tolerance (nH)	Mark	Tolerance (%)
C	$\pm 0.25$	G	$\pm 2$
D	$\pm 0.5$	J	$\pm 5$
S	$\pm 0.3$	K	$\pm 10$
A	$\pm 0.2$	L	$\pm 15$
		M	$\pm 20$

## Resistor Reading

Example 1/2 D J 10K B

Example 6 W K 8.2

Example 1/2 C K 1M

Characteristic

Z (Carbon fuse)

B (Non-burnable)

K indicates in  $\text{K}\Omega$

M indicate in  $\text{M}\Omega$

Resistance value

Tolerance (see below table)

Material (see below table)

Rated wattage (W)

Note: Resistor which is indicated with resistance value only are 1/6W carbon resistor. Resistor which is indicated with material, tolerance and value are 1/4W rated wattage.

### Material table

Mark	Material
D	Carbon
N	Metal film
S	Oxide metal film
C	Solid
G	Metal glaze
W	Wire winding or cement
H	Ceramic
F	Fusible

### Tolerance table

Mark	Tolerance
A	$\pm 0.05$
B	$\pm 0.1$
C	$\pm 0.25$
D	$\pm 0.5$
F	$\pm 1$
G	$\pm 2$
J	$\pm 5$
K	$\pm 10$
M	$\pm 20$
P	+5 -15
Z	used in 0 ohm

## Diode/Transistor Type Reading

### Diode

Mark	Type number
R	1S2076A,1S2473,1N4148
AA	1S2076A,1S2473,1SS133,1N4148

### Transistor (1) NPN type

Mark	Type number			
--	2SC536	2SC945A	2SC1815	2SC1740S
AD	NF, NG	PA, QA	Y, GR	Q, R, S
AE	NF, NG	PA, QA, RA	O, Y, GR	Q, R, S

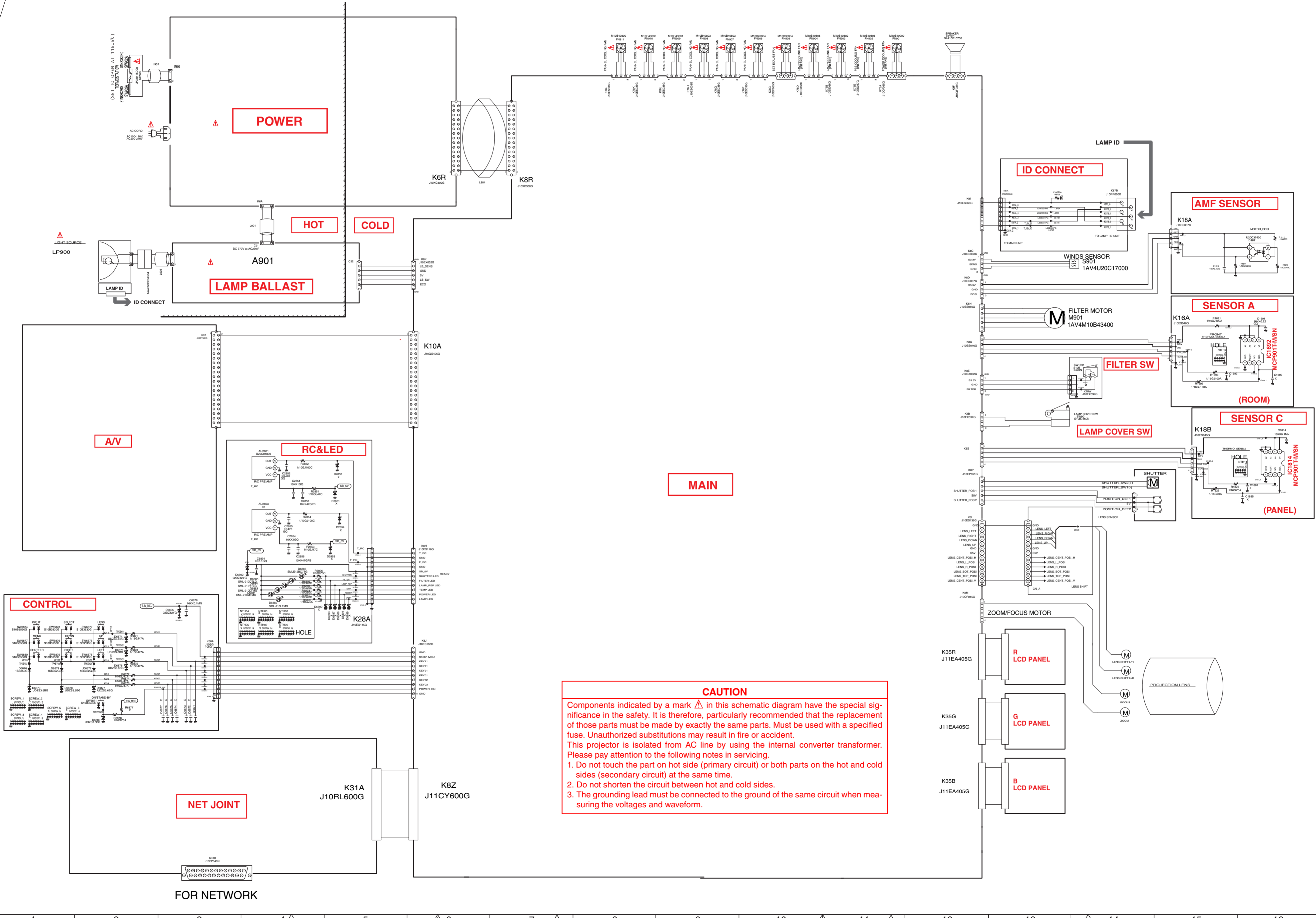
### (2) PNP type

Mark	Type number			
--	2SA608	2SA564A	2SA1015	2SA933S
AB	NF	R	Y, GR	R
AC	NF	Q, R	O, Y, GR	Q, R

### (3) Chip type

Mark	Type number				
--	2SA1179N	2SA1037K	2SA1037AK	2SC2812/N	2SC2412K
AJ	M6, M7	R, S	R, S		
AH				L6, L7	R, S

# Schematic Diagrams



**CAUTION**

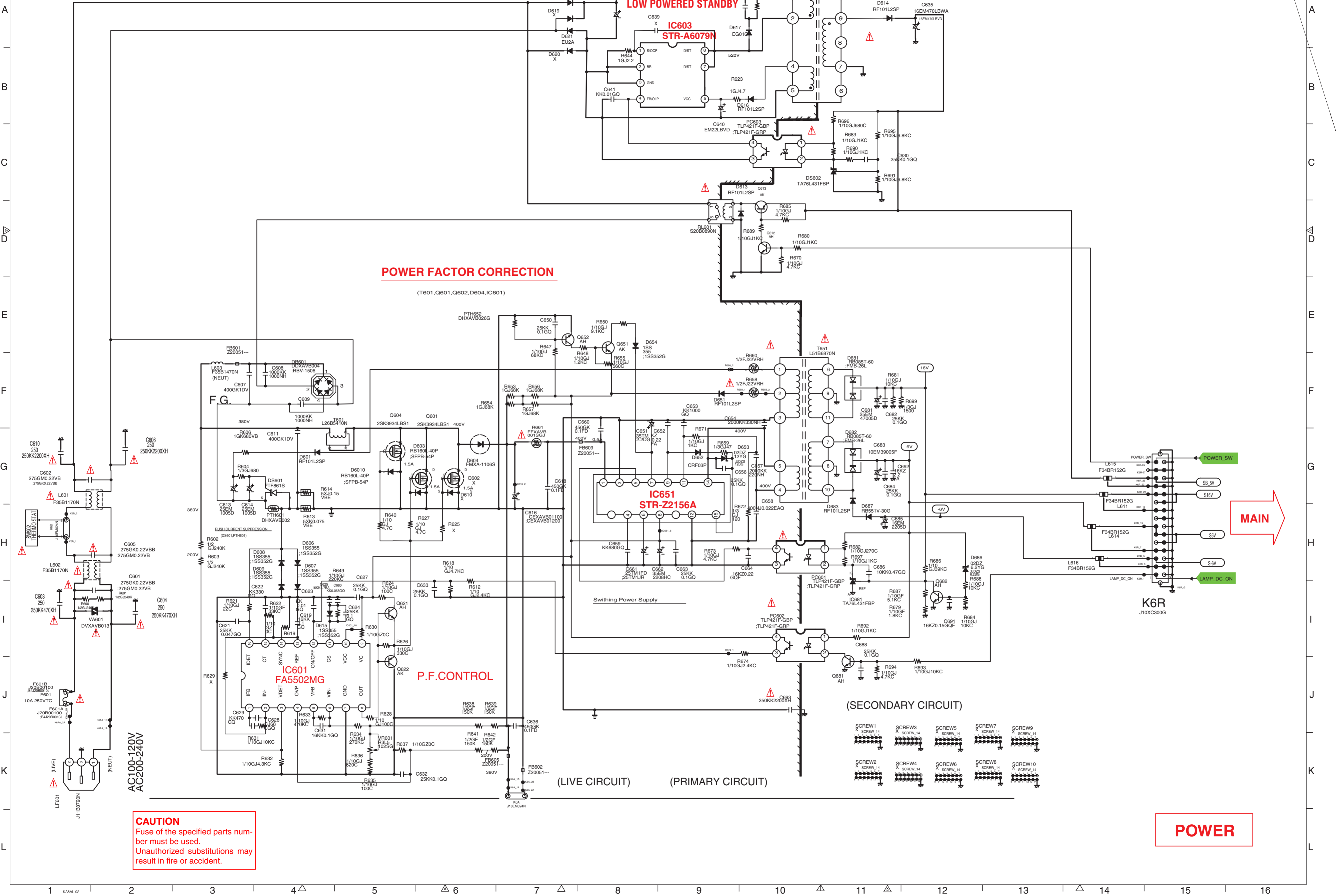
Components indicated by a mark **⚠** in this schematic diagram have the special significance in the safety. It is therefore, particularly recommended that the replacement of those parts must be made by exactly the same parts. Must be used with a specified fuse. Unauthorized substitutions may result in fire or accident. This projector is isolated from AC line by using the internal converter transformer. Please pay attention to the following notes in servicing.

1. Do not touch the part on hot side (primary circuit) or both parts on the hot and cold sides (secondary circuit) at the same time.
2. Do not shorten the circuit between hot and cold sides.
3. The grounding lead must be connected to the ground of the same circuit when measuring the voltages and waveform.

A  
B  
C  
D  
E  
F  
G  
H  
I  
J  
K  
L

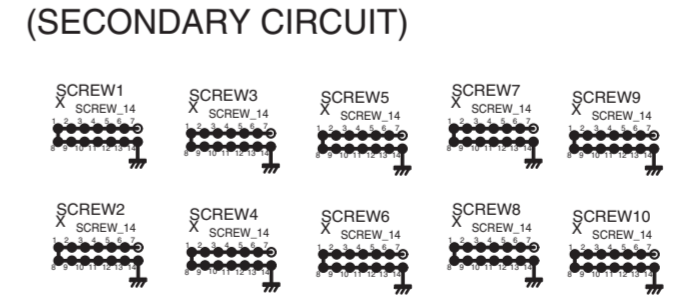
A  
B  
C  
D  
E  
F  
G  
H  
I  
J  
K  
L

1 KABAL-01 2 3 4 5 6 7 8 9 10 11 12 13 14 15 16



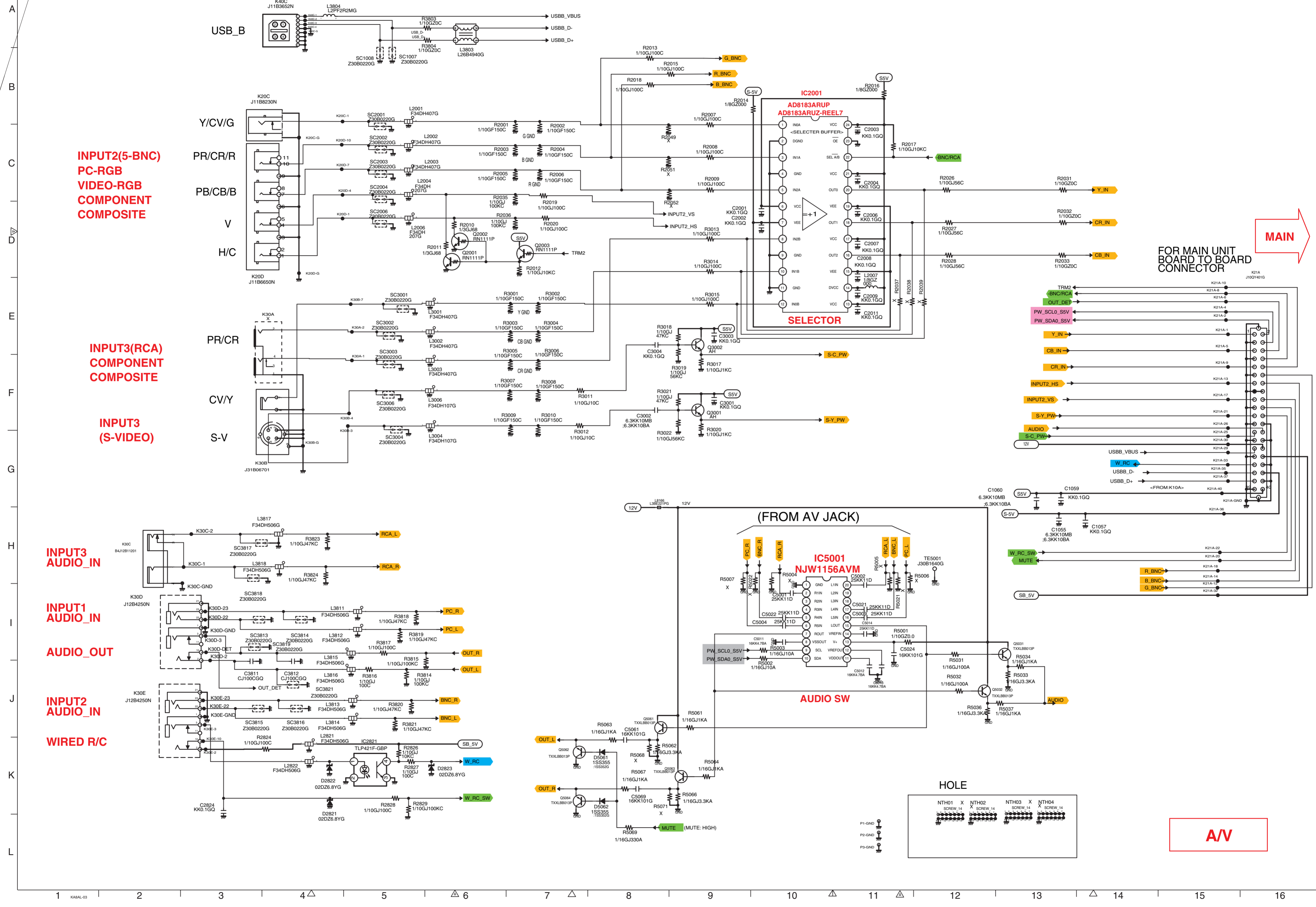
**CAUTION**  
Fuse of the specified parts number must be used.  
Unauthorized substitutions may result in fire or accident.

**POWER**



A  
B  
C  
D  
E  
F  
G  
H  
I  
J  
K  
L

A  
B  
C  
D  
E  
F  
G  
H  
I  
J  
K  
L



**INPUT2(5-BNC)  
PC-RGB  
VIDEO-RGB  
COMPONENT  
COMPOSITE**

**INPUT3(RCA)  
COMPONENT  
COMPOSITE**

**INPUT3  
(S-VIDEO)**

**INPUT3  
AUDIO\_IN**

**INPUT1  
AUDIO\_IN**

**AUDIO\_OUT**

**INPUT2  
AUDIO\_IN**

**WIRED R/C**

**MAIN** →

FOR MAIN UNIT  
BOARD TO BOARD  
CONNECTOR

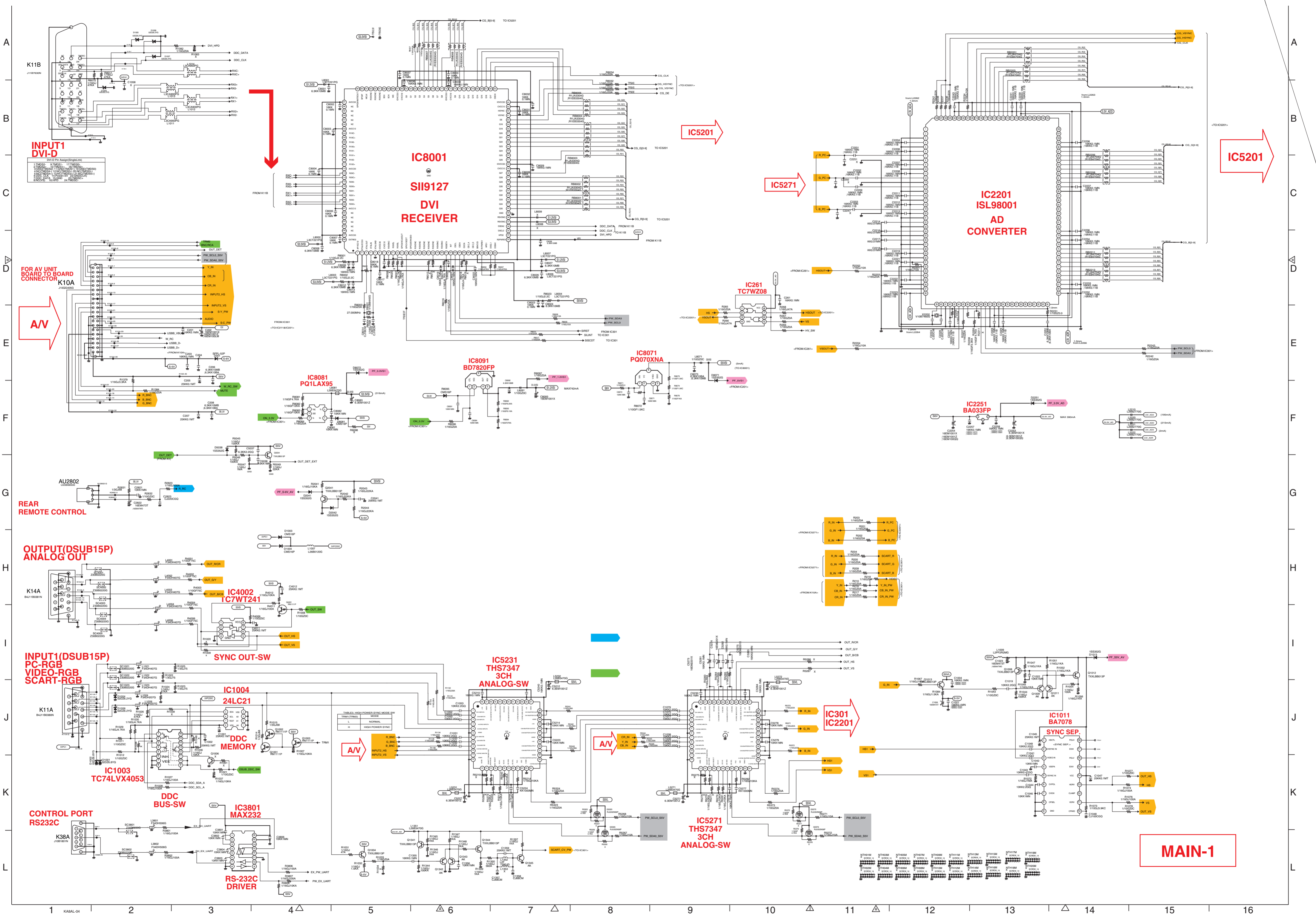
(FROM AV JACK)

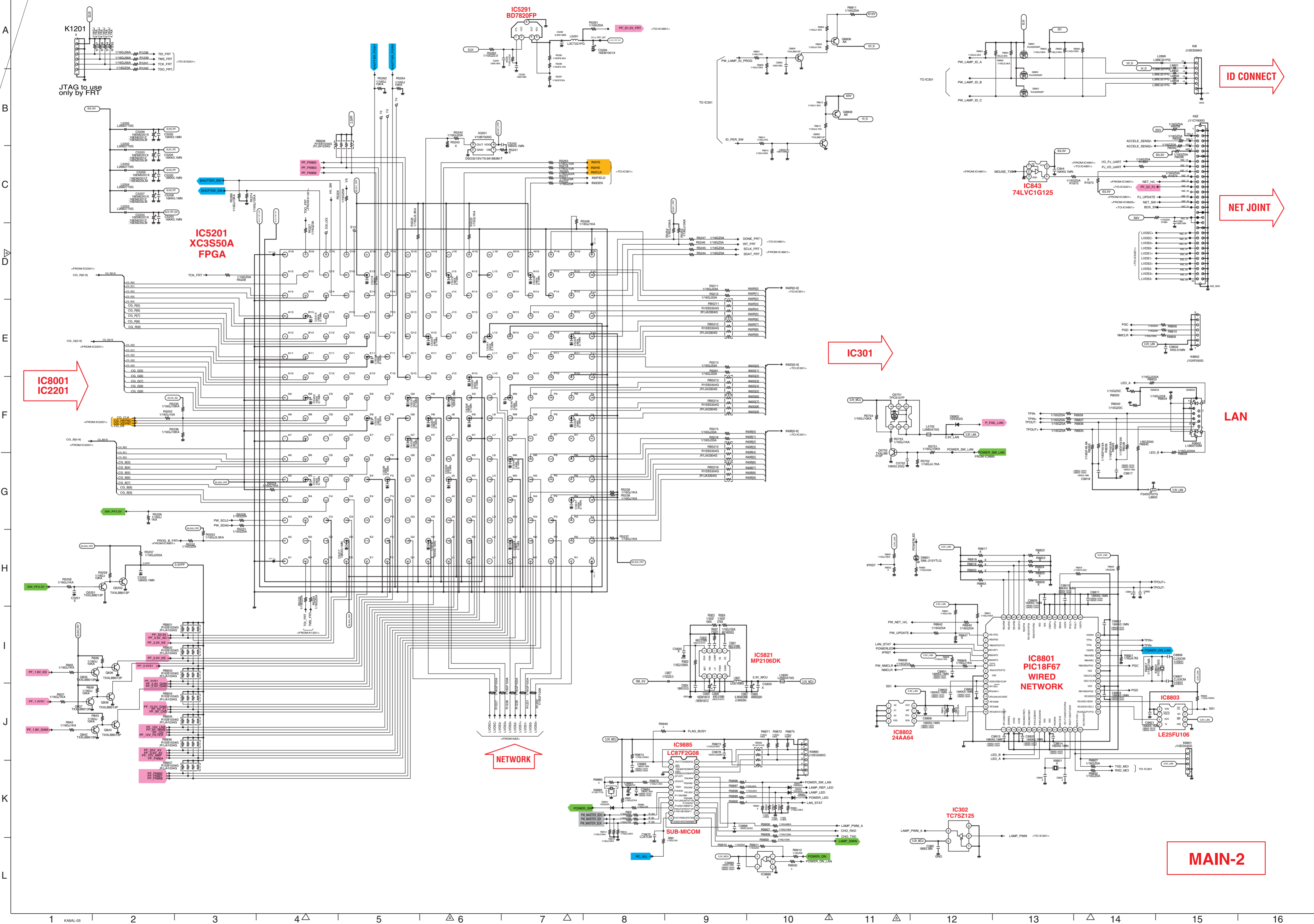
**IC5001  
NJW1156AVM**

**AUDIO SW**

**HOLE**

**AV**





ID CONNECT

NET JOINT

LAN

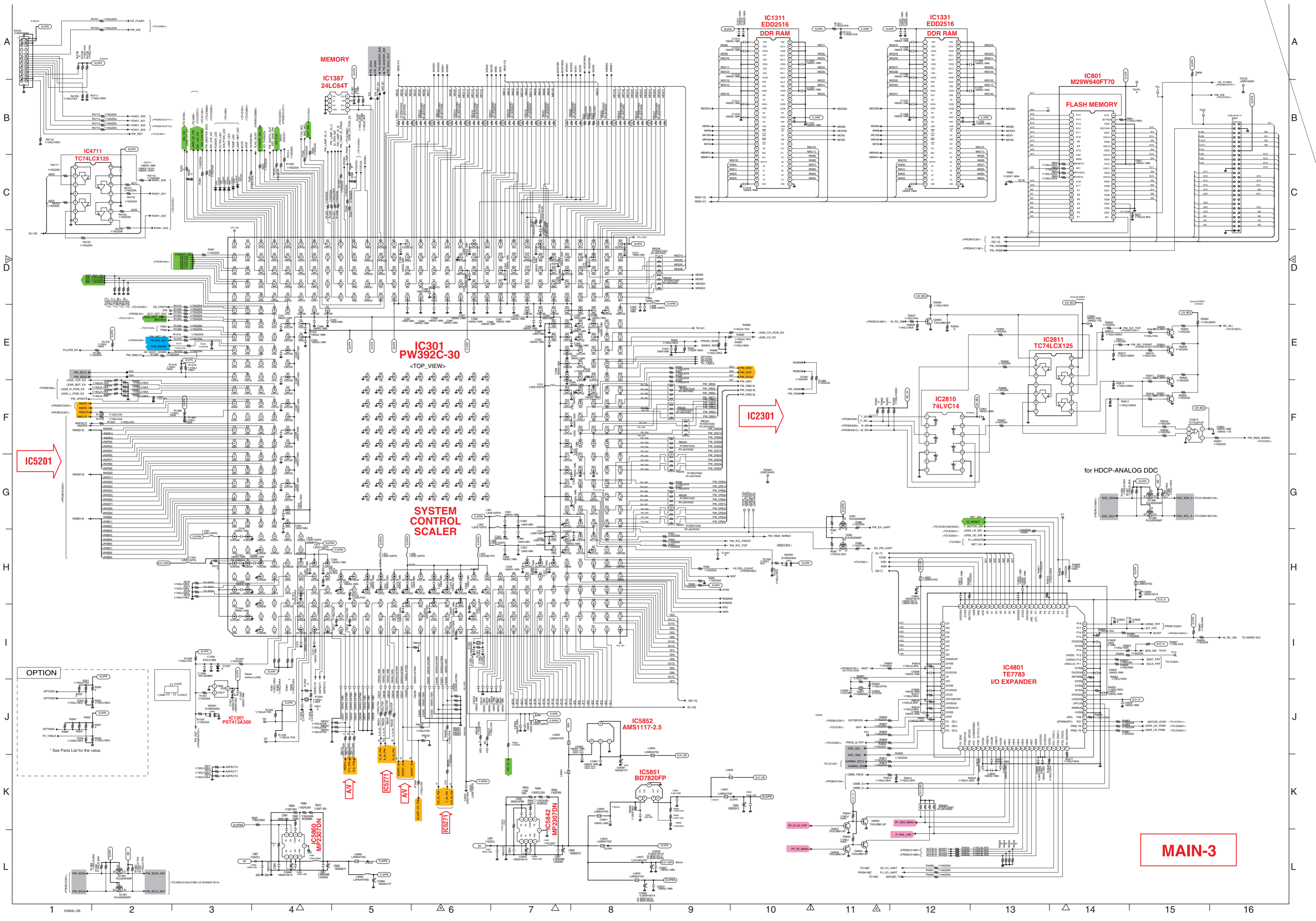
IC301

IC8001  
IC2201

IC501  
XC3S50A  
FPGA

NETWORK

MAIN-2



MEMORY  
IC1387  
24LC64T

IC1311  
EDD2516  
DDR RAM

IC1331  
EDD2516  
DDR RAM

IC801  
M29W640FT70  
FLASH MEMORY

IC301  
PW392C-30  
SYSTEM CONTROL SCALER

IC2301

IC5201

IC2810  
74LVC14

IC2811  
TC74LCX125

IC4801  
TE7783  
I/O EXPANDER

IC5852  
AMS1117-2.5

IC5851  
BD7820FP

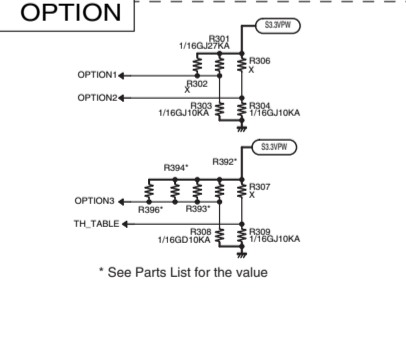
IC5842  
MP2307DN

IC1301  
PST413A300

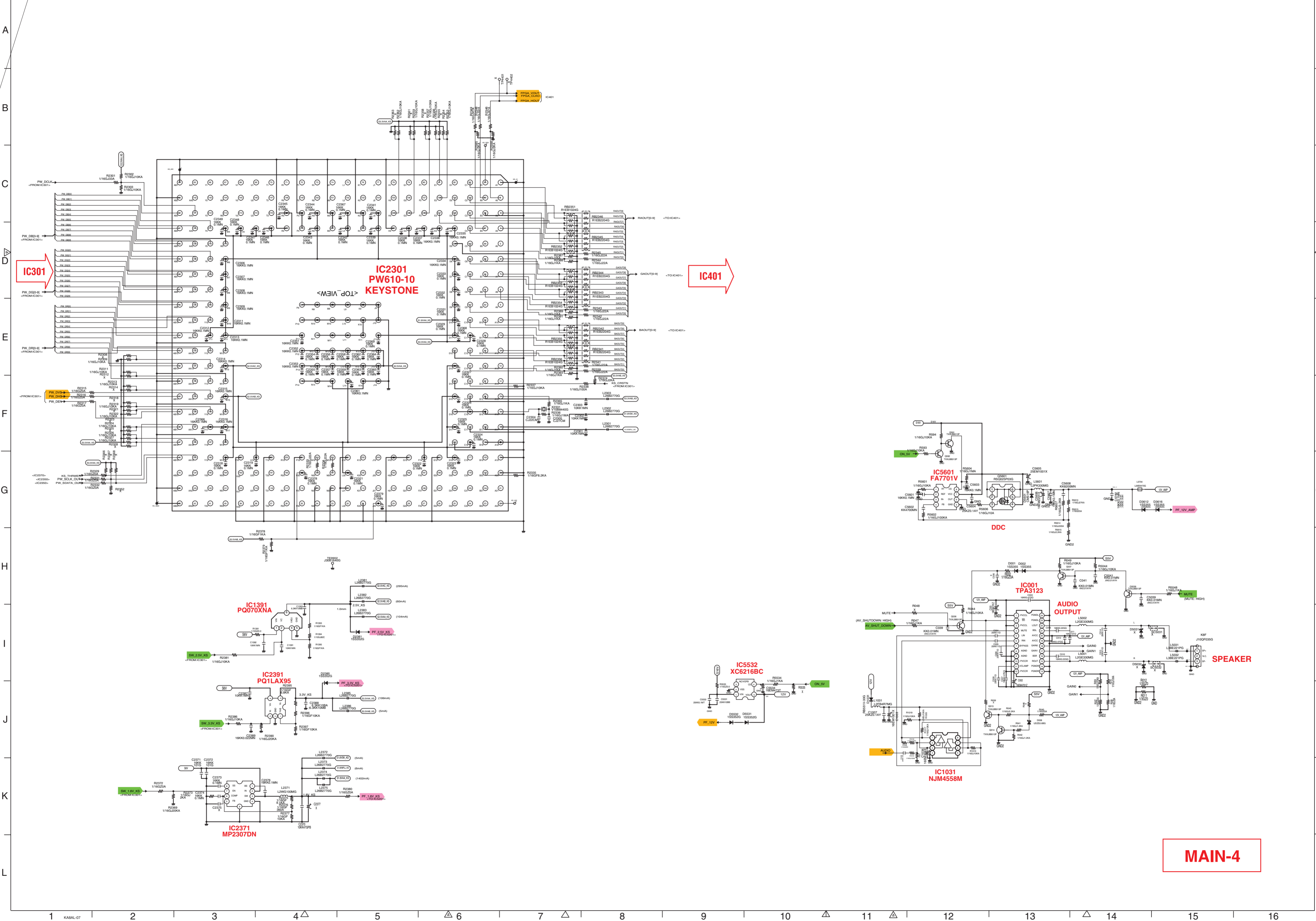
IC5960  
MP2307DN

IC5961  
MP2307DN

MAIN-3







IC301

IC2301  
PW610-10  
KEYSTONE

IC401

IC1391  
PQ070XNA

IC2391  
PQ1LAX95

IC2371  
MP2307DN

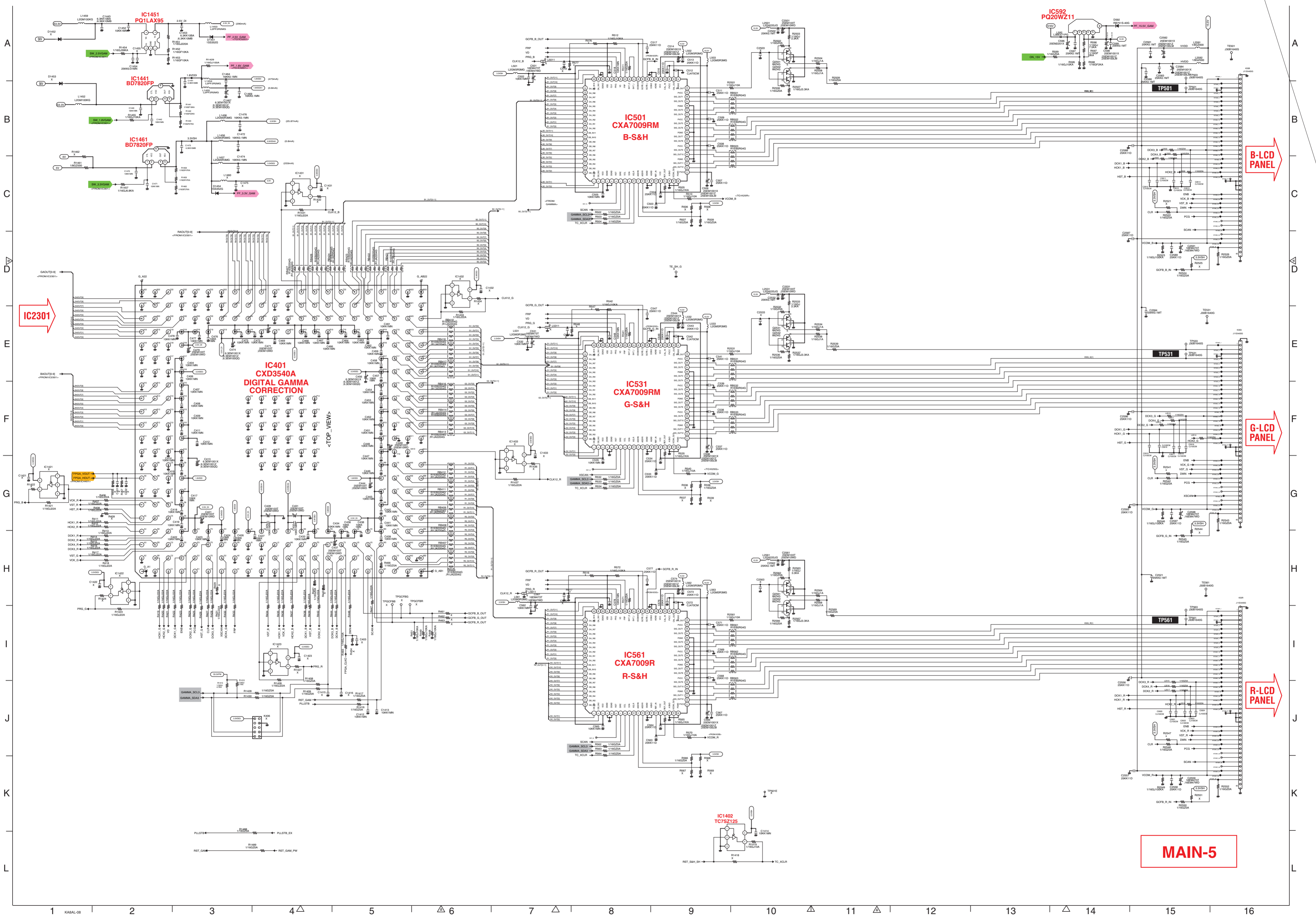
IC5532  
XC6216BC

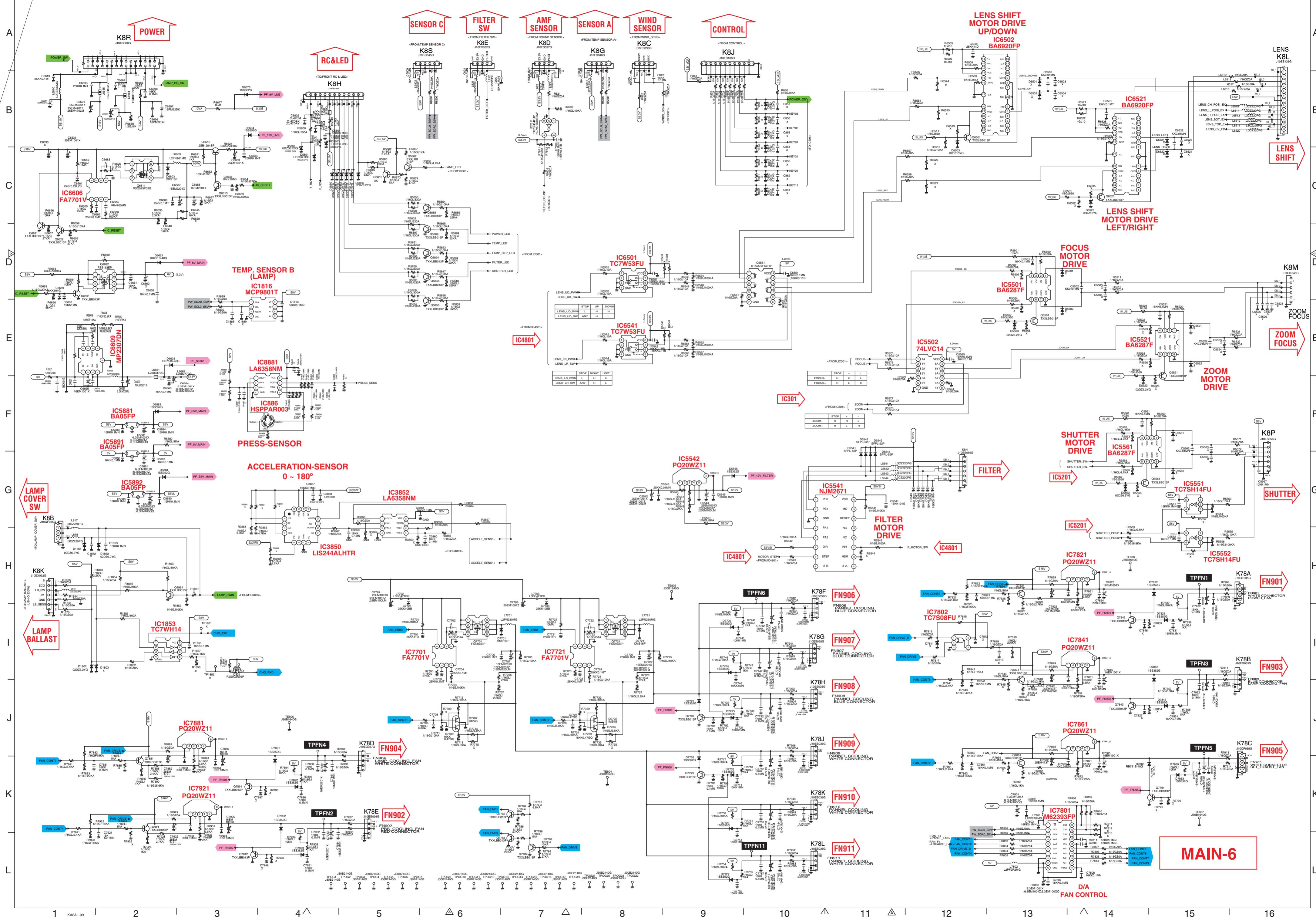
IC5601  
FA7701V

IC001  
TPA3123

IC1031  
NJM4558M

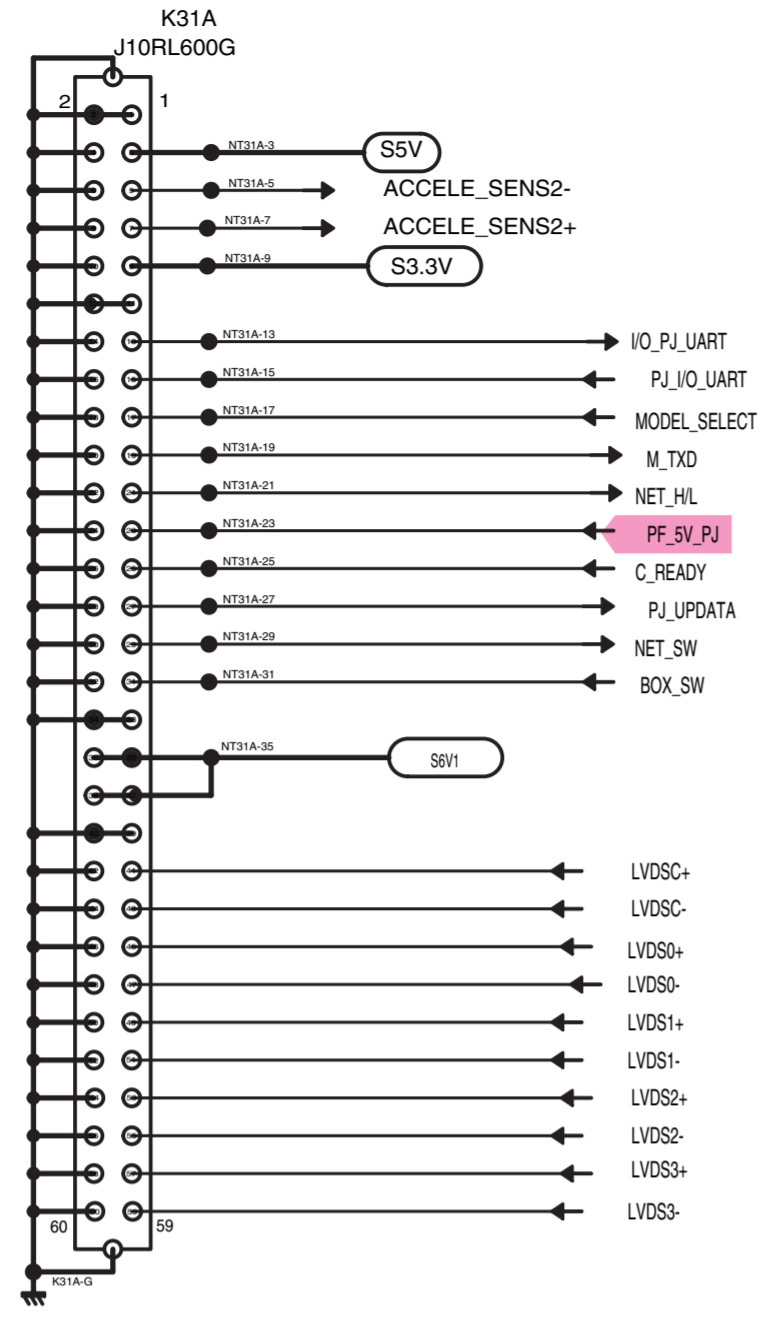
MAIN-4



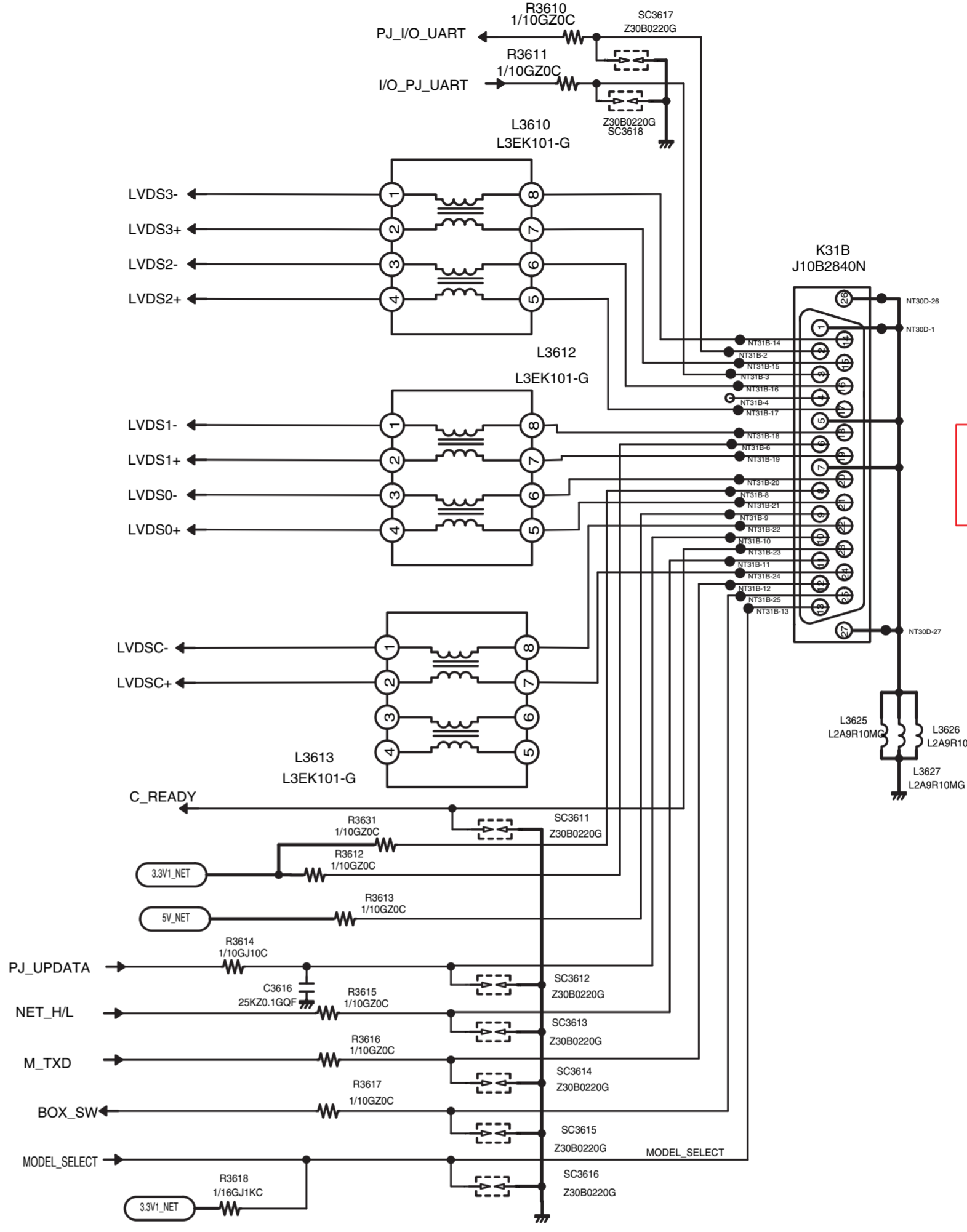


FOR MAIN UNIT BOARD TO BOARD CONNECTOR

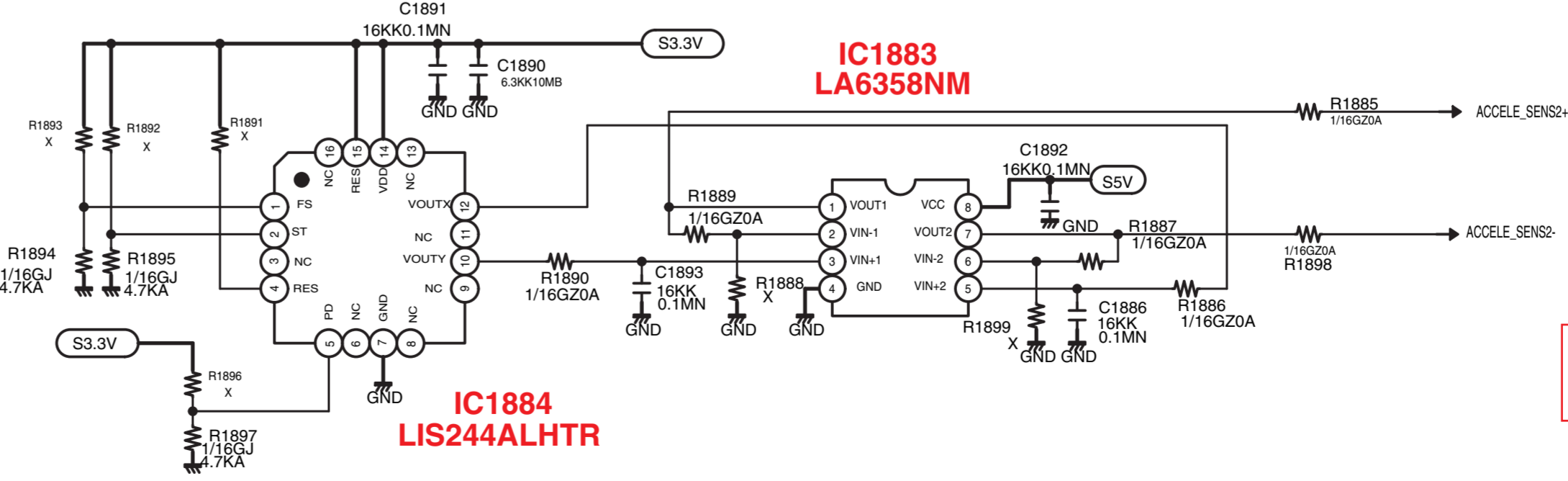
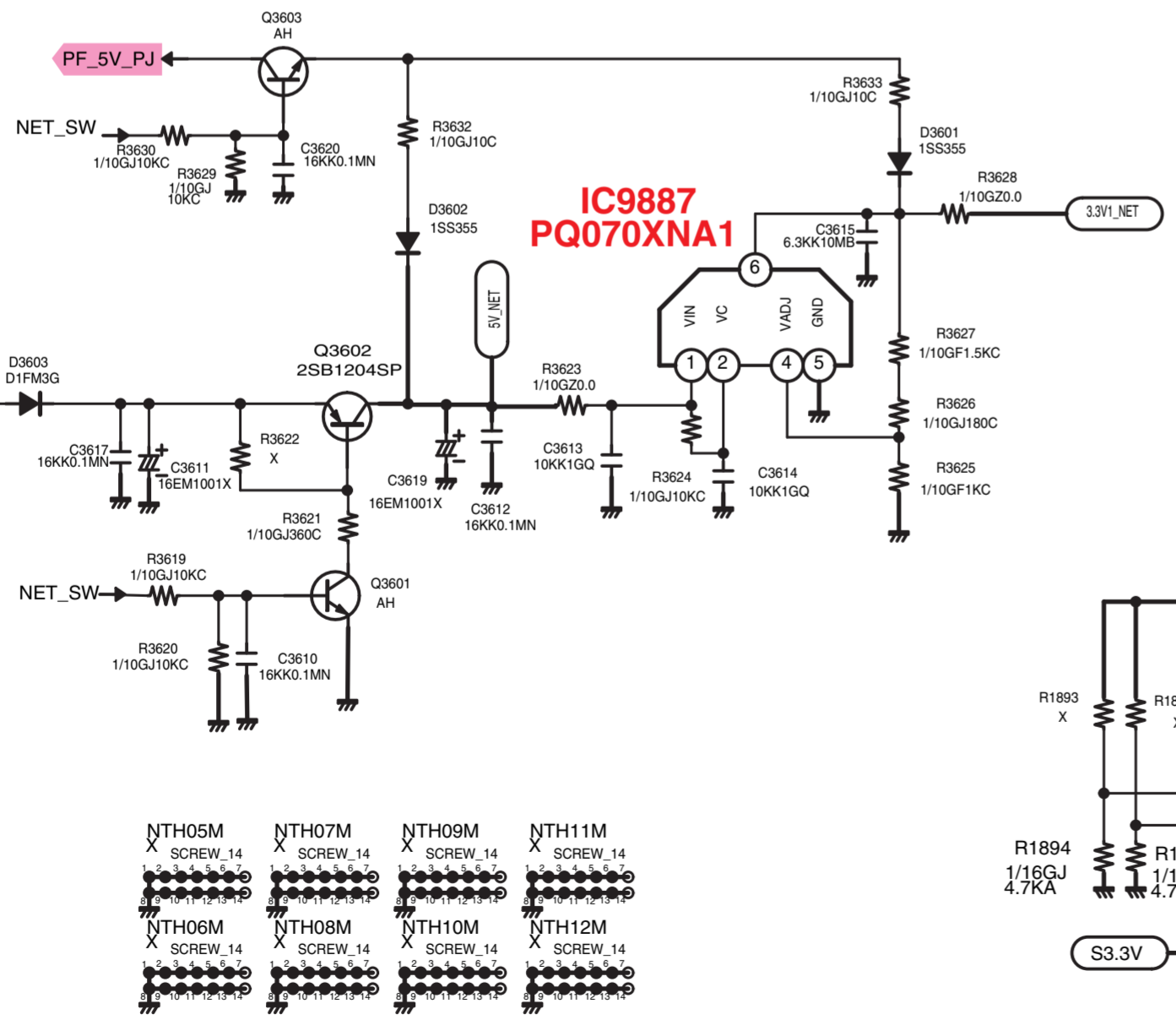
MAIN K8Z



NETWORK BOX



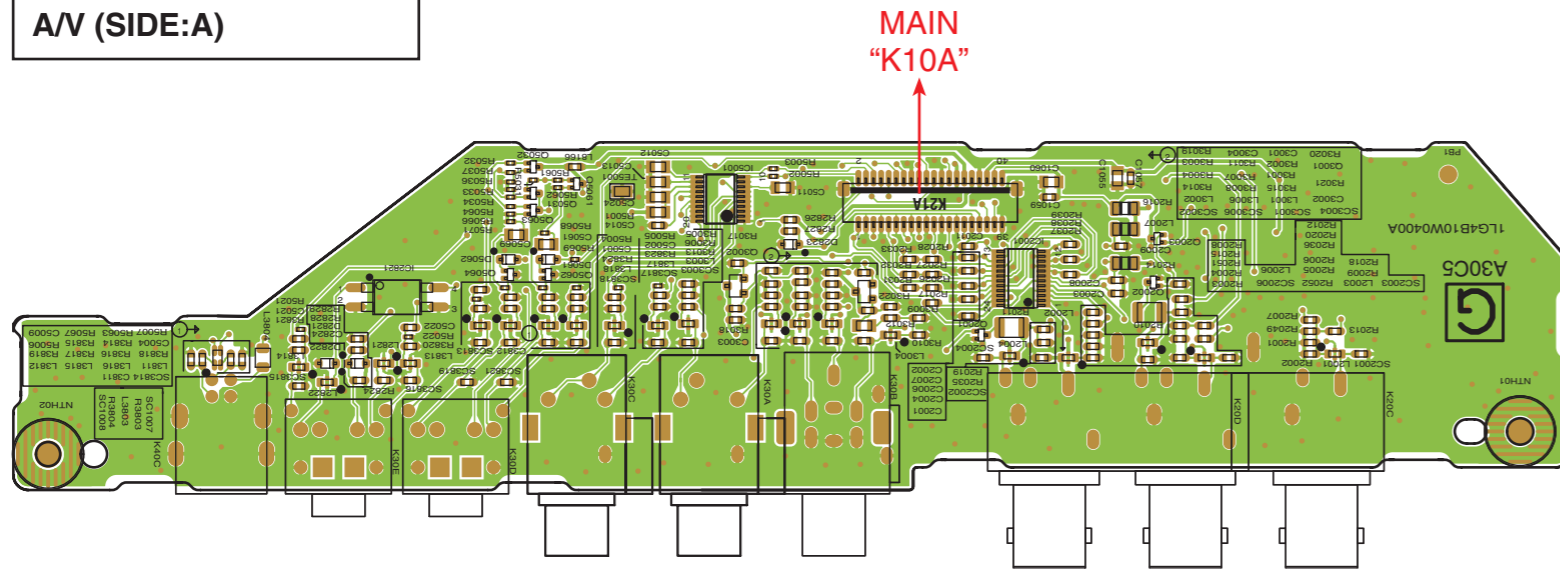
**ACCELERATION-SENSOR  
-1 ~ 180°**



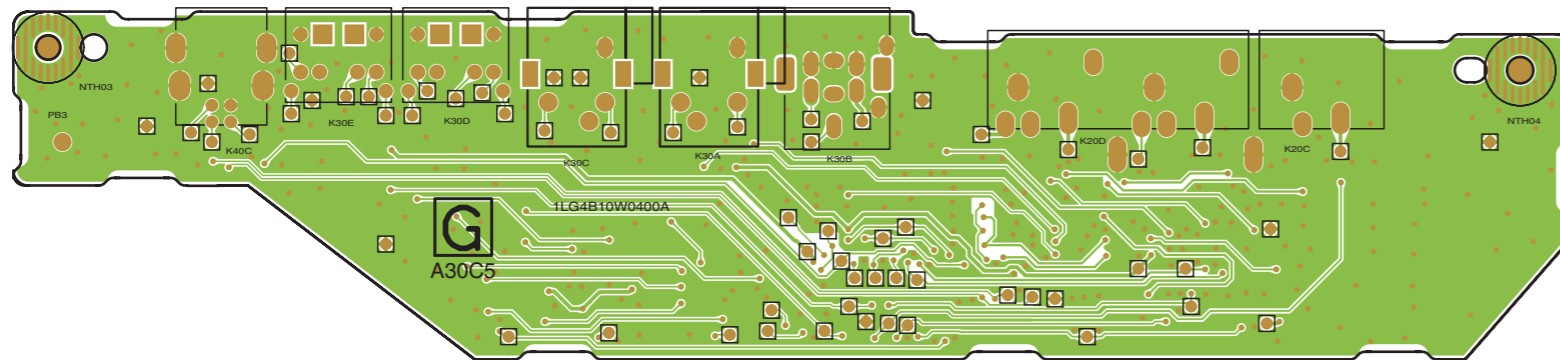
NET JOINT

# Printed Wiring Board Diagrams

AV (SIDE:A)

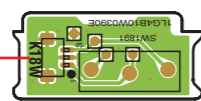


AV (SIDE:B)

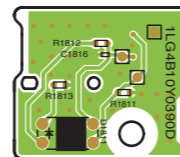


FILTER SW (SIDE:A)

MAIN "K8E"

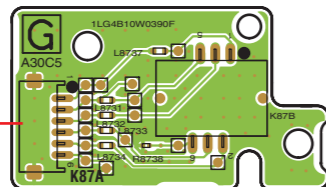


AMF SENSOR (SIDE:A)



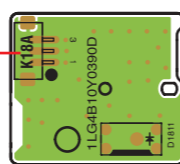
ID CONNECT (SIDE:A)

MAIN "K8I"



AMF SENSOR (SIDE:B)

MAIN "K8D"



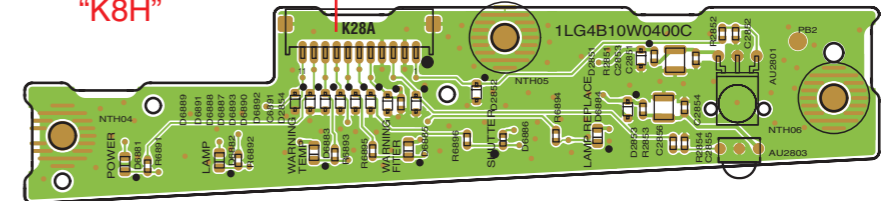
## ⚠ CAUTION

This projector is isolated from AC line by using the internal converter transformer. Please pay attention to the following notes in servicing

1. Do not touch the part on hot side (primary circuit) or both parts on hot and cold sides (secondary circuit) at the same time.
2. Do not shorten the circuit between hot and cold sides.
3. The grounding lead must be connected to the ground of the same circuit when measuring of voltages and waveforms.

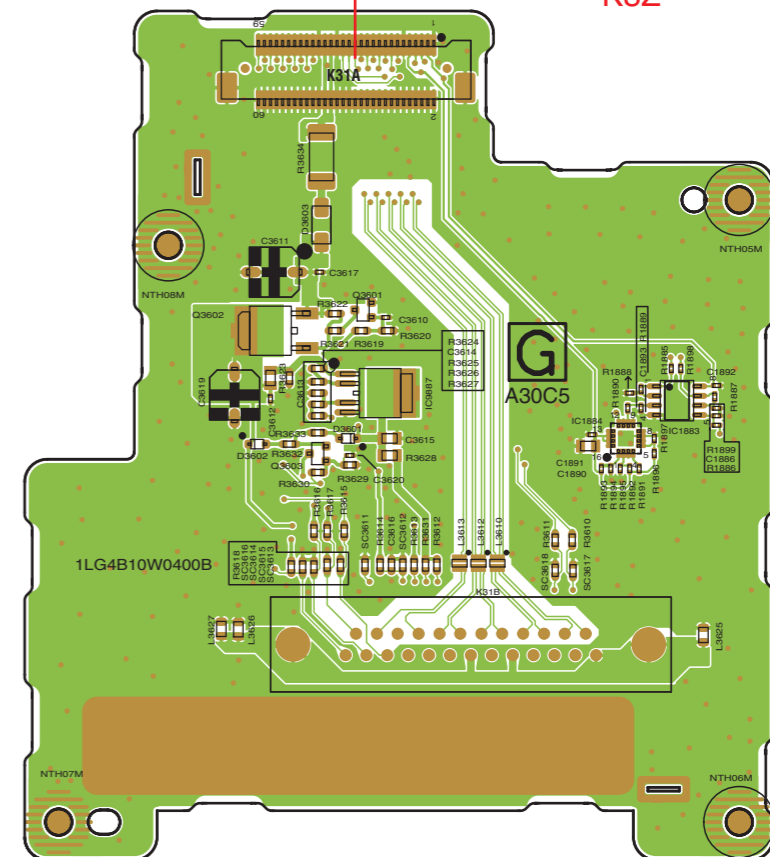
RC & LED (SIDE:A)

MAIN "K8H"

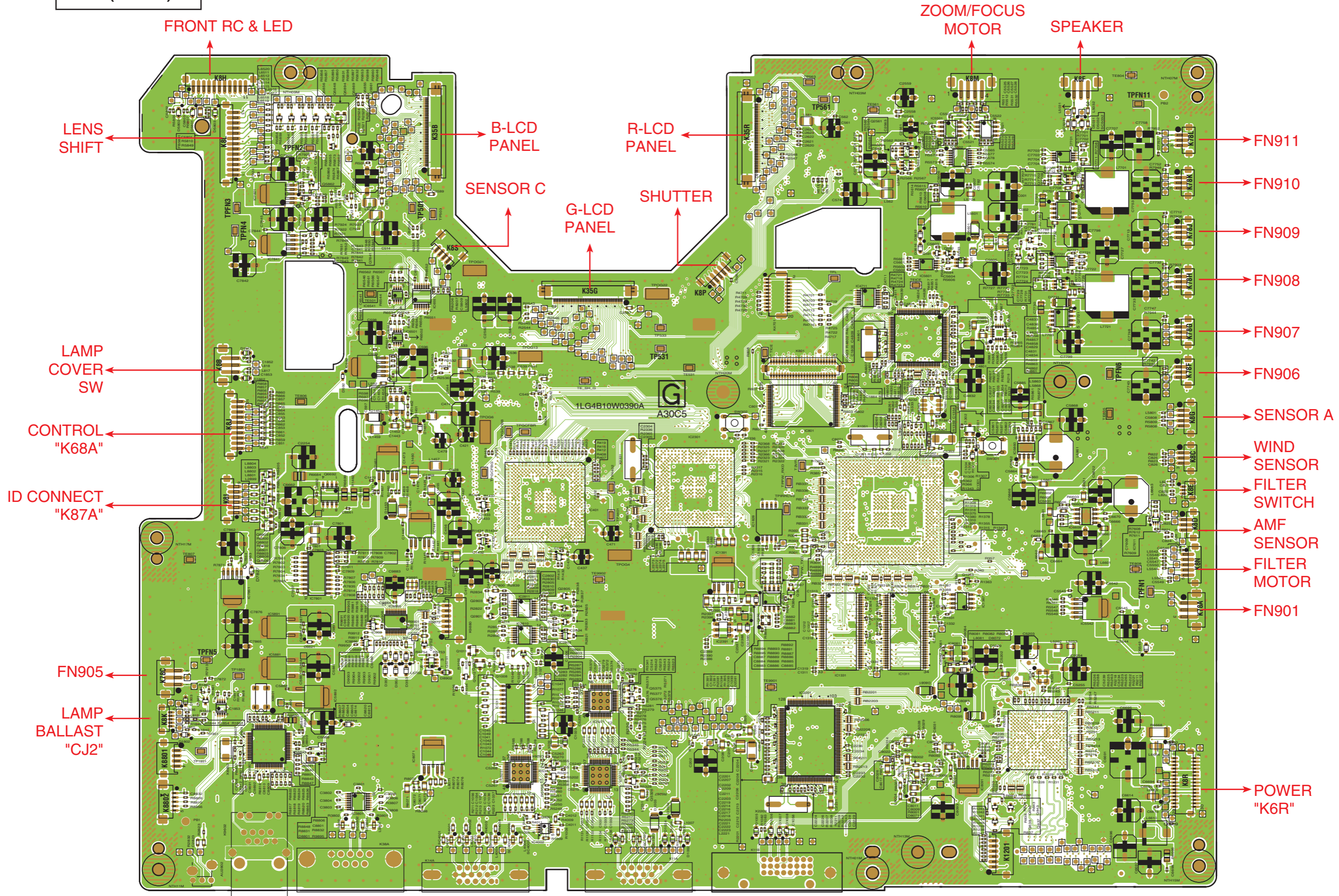


NET JOINT (SIDE:A)

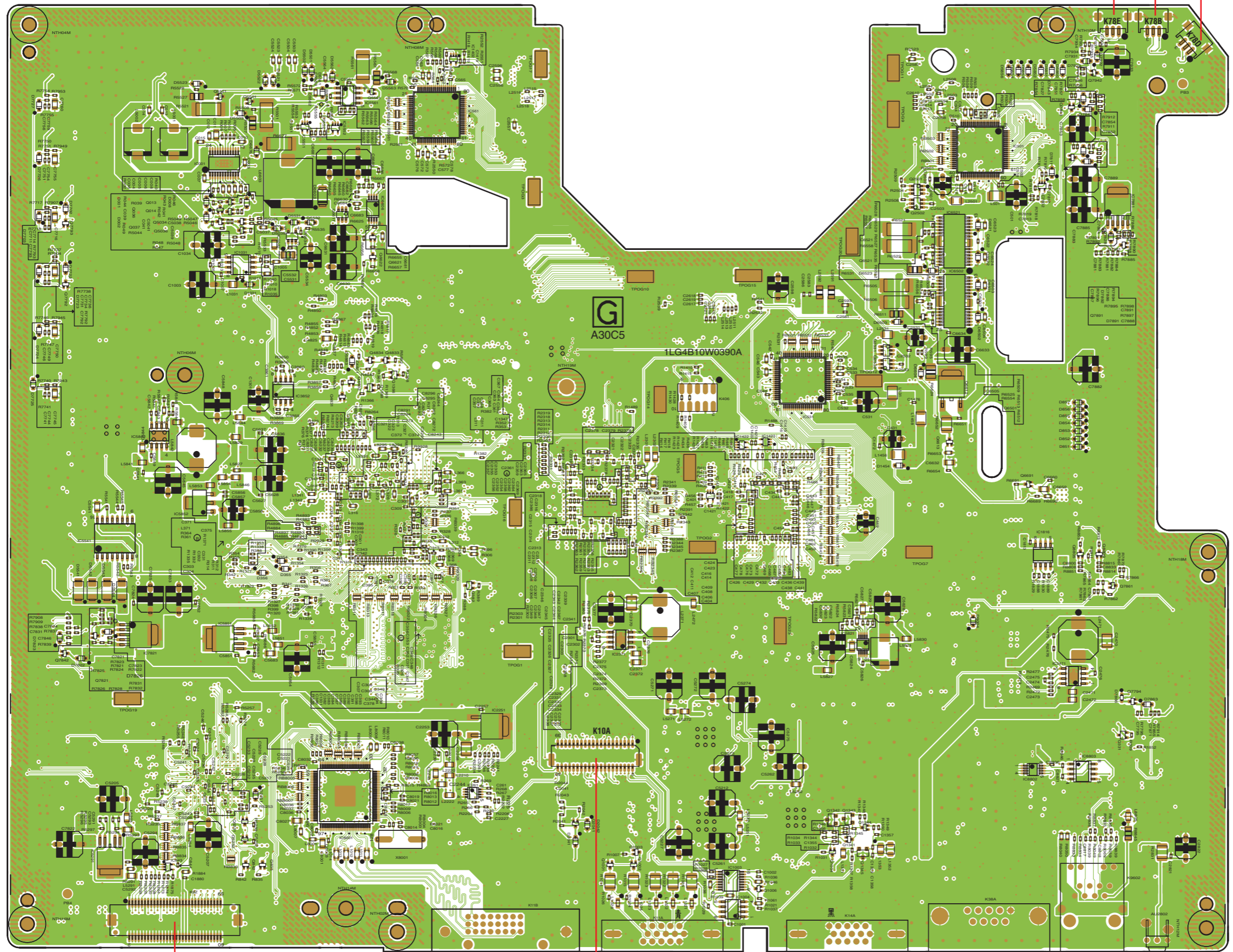
MAIN "K8Z"



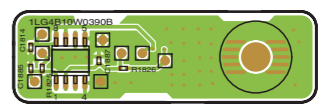
MAIN (SIDE:A)



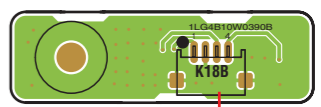
MAIN (SIDE:B)



SENSOR C (SIDE:A)

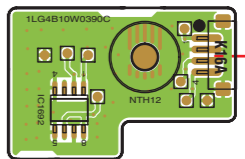


SENSOR C (SIDE:B)



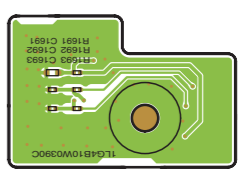
MAIN "K8S"

SENSOR A (SIDE:A)

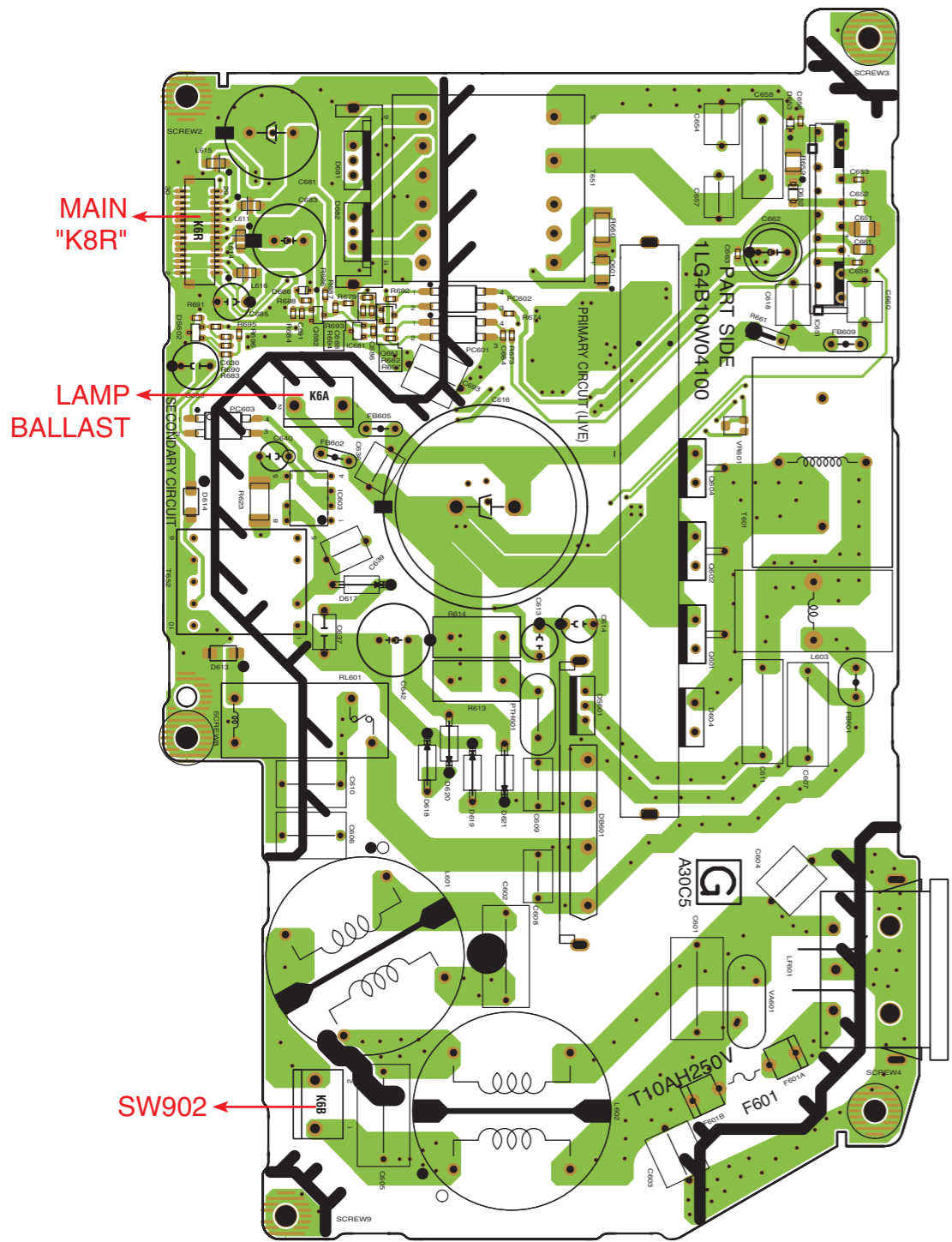


MAIN "K8G"

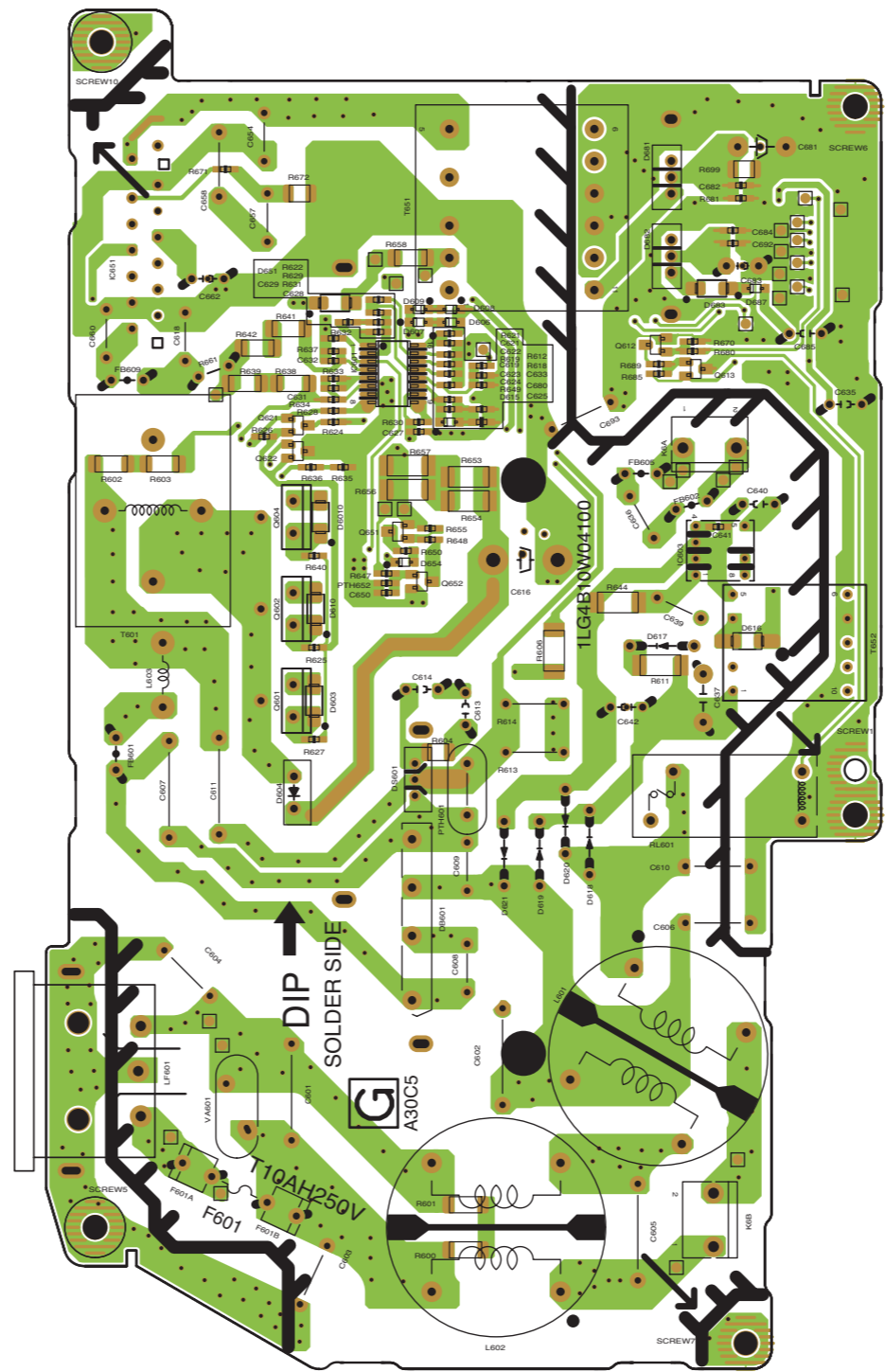
SENSOR A (SIDE:B)



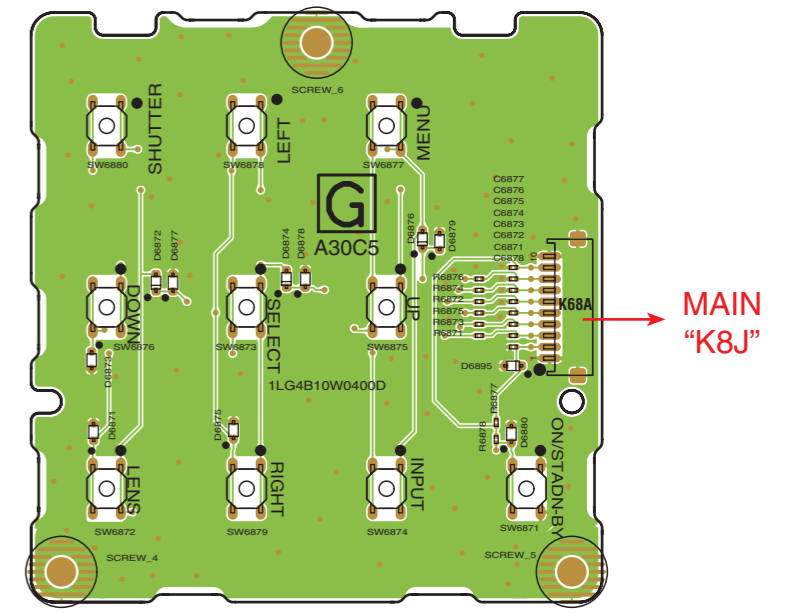
POWER (SIDE:A)



POWER (SIDE:B)



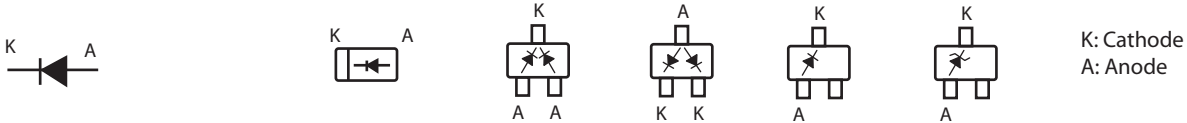
CONTROL (SIDE:A)



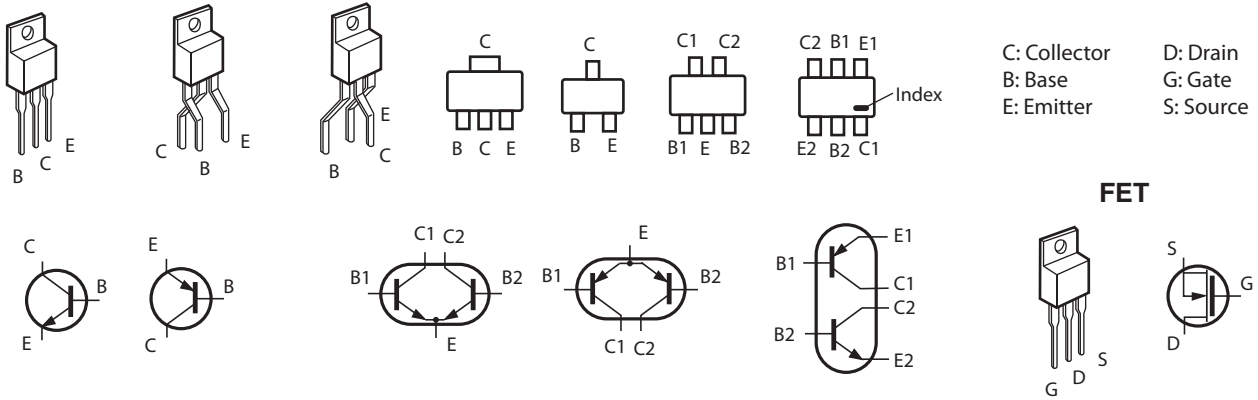


# Pin description of diode, transistor and IC

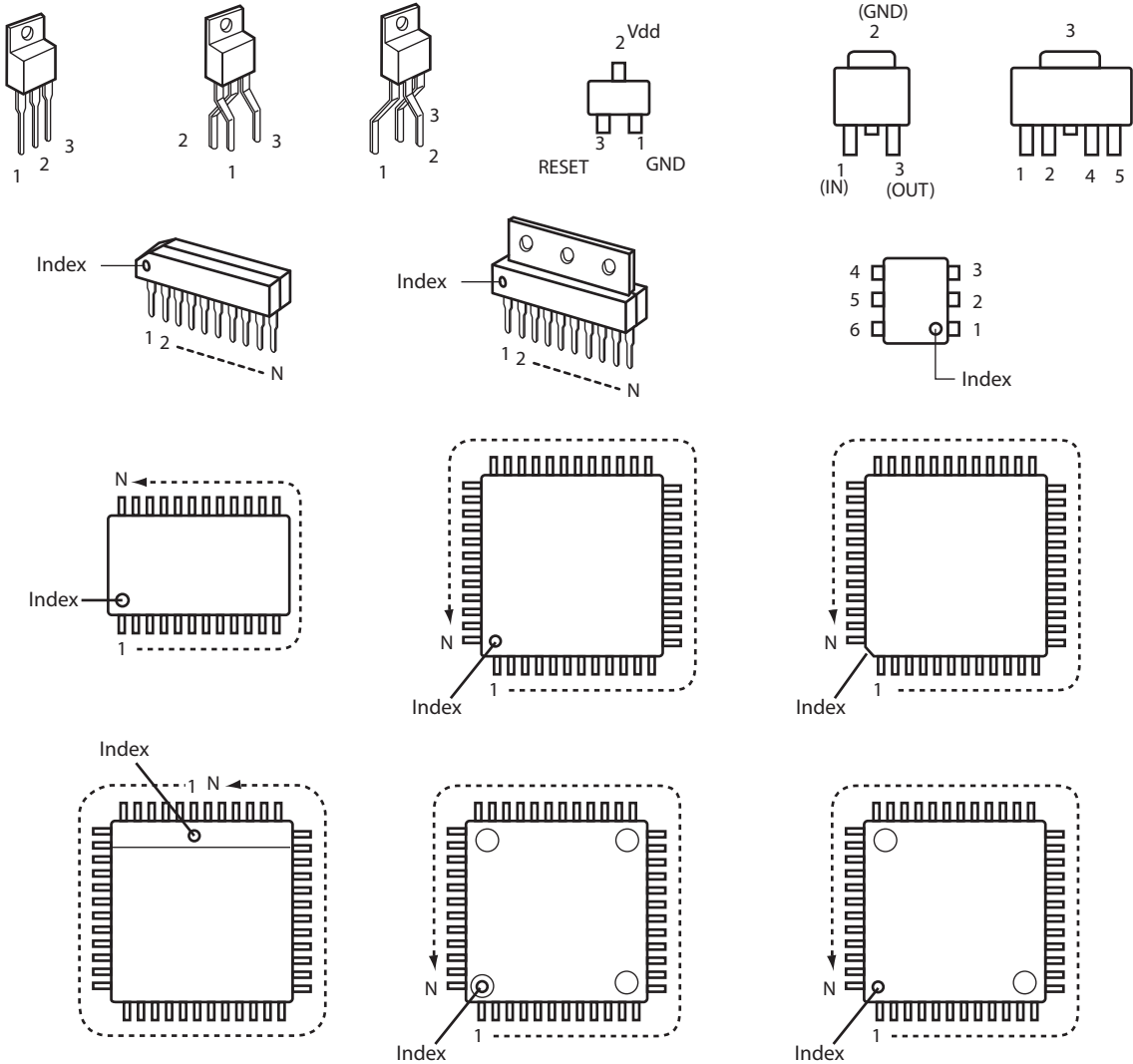
## ● Diode



## ● Transistor/FET



## ● IC



## Note on Soldering

---

### Do not use solder containing lead.

This product has been manufactured using lead-free solder in order to help preserve the environment.

Because of this, be sure to use lead-free solder when carrying out repair work, and never use solder containing lead.

Lead-free solder has a melting point that is 30–40 °C (86–104 °F) higher than solder containing lead, and moreover it does not contain lead which attaches easily to other metals. As a result, it does not melt as easily as solder containing lead, and soldering will be more difficult even if the temperature of the soldering iron is increased.

The extra difficulty in soldering means that soldering time will increase and damage to the components or the circuit board may easily occur.

Because of this, you should use a soldering iron and solder that satisfy the following conditions when carrying out repair work. Also, soldering work must be done in a short time.

### Soldering iron

Use a soldering iron which is 70 W or equivalent, and which lets you adjust the tip temperature up to 450 °C (842 °F) It should also have as good temperature recovery characteristics as possible.

### Solder

Use solder with the metal content and composition ratio by weight given in the table below. Do not use solders which do not meet these conditions.

Metal content	Tin (Sn)	Silver (Ag)	Copper (Cu)
Composition ratio by weight	96.5 %	3.0 %	0.5 %

### Note:

If replacing existing solder containing lead with lead-free solder in the soldered parts of products that have been manufactured up until now, remove all of the existing solder at those parts before applying the lead-free solder.