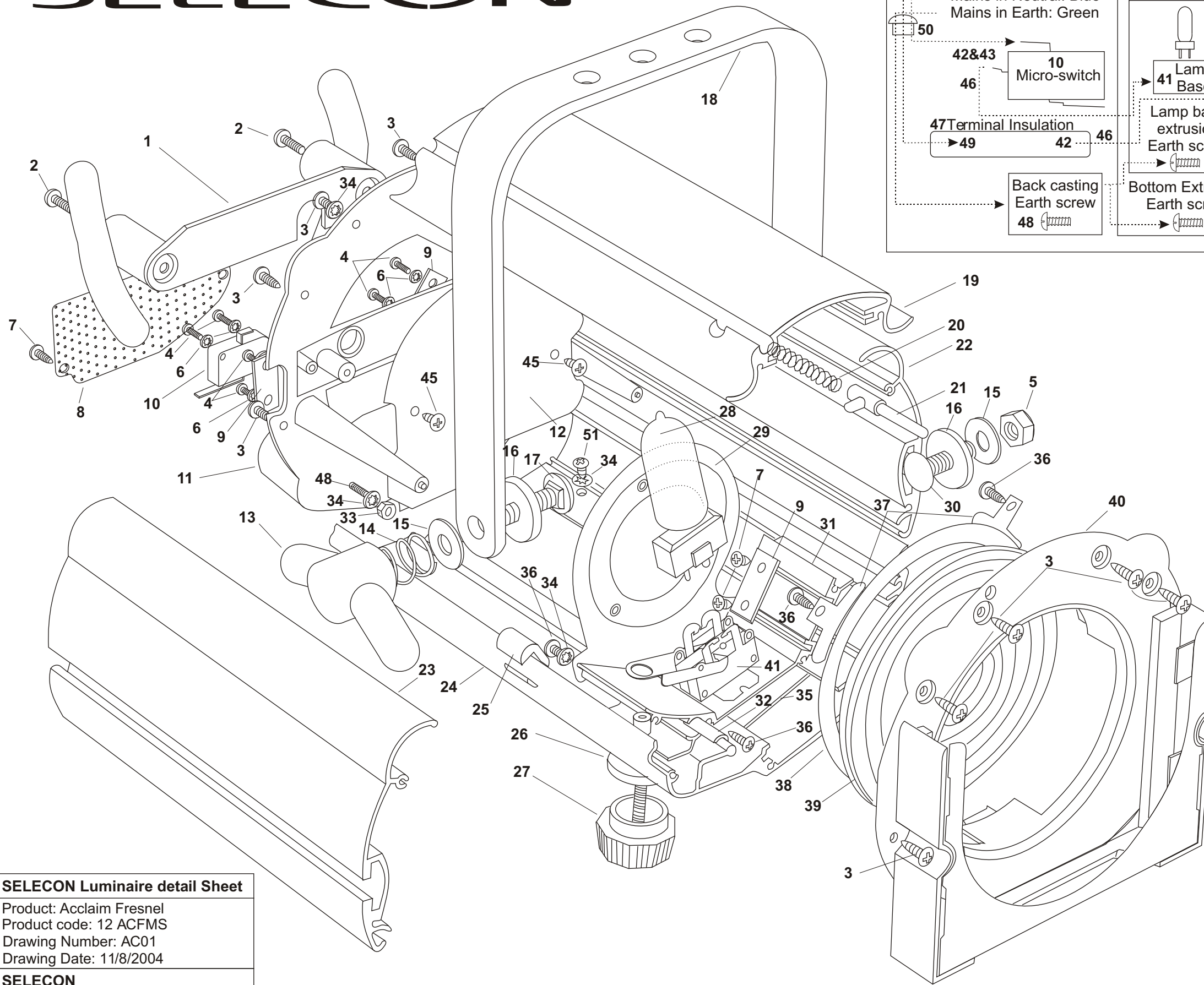
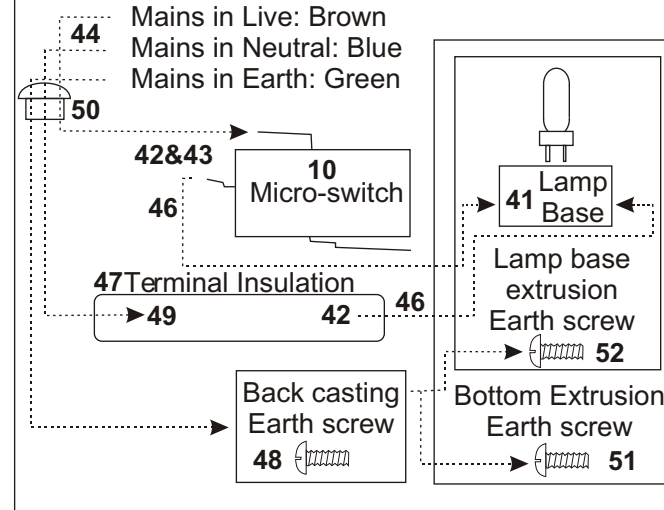


SELECON



Wiring Diagram



ACCLAIM Fresnel 650

No	Code	Description
1	ACCPLA002	Acclaim Rear Handle
2		Screw M4 x 16 PP
3		Screw 6 x 1/2 STMB Mushroom
4		Screw M3x16 self tapping
5		M8 nylock nut
6		Washer M3 Shakeproof
7		Screw 8 x 3/8 Pan Pozi
8	ACCSHT005	Switch Cover
9		Cable Clamp
10	COMELE001	Micro-switch
11	ACCCAS001	Acclaim Back casting
12	ACCSHT014	Acclaim rear light baffle
13	ACCPLA001	Acclaim side handle
14	ACCSPR005	Acclaim locking clamp spring
15		Washer 21mm o/d x 1.6 Flat
16		Washer M8 Fibre
17		Yoke bolt M8 x 30 cup head
18	ACCYOK001	Acclaim Fresnel Yoke
19	ACCEXT002	Acclaim top extrusion
20	ACCSPR001	Gel frame retention pin spring
21	ACCMET009	Gel frame retention pin
22	ACCEXT008	Acclaim side/ door extrusion
23	ACCEXT003	Acclaim side extrusion
24	ACCEXT004	Acclaim door extrusion
25	ACCEXT007	Acclaim door clip extrusion
26		Red fibre Thrust washer
27	COMPLA001	Lamp tray knob, Hi temperature
28		Lamp T27 or equivalent
29	ACCREF001	Reflector assembly
30		Yoke bolt M8 x 25 Cup-head
31	ACCEXT005	Lamp tray extrusion
32	ACCEXT001-1	Acclaim lamp tray bearing
33		M4 Hex nut
34		Washer M4 Shakeproof
35	ACCSHT015	Acclaim bottom light leak baffle
36		Screw 6 X 3/8 STMB Mushroom
37	1200SPR003	lens ring clip
38	ACCSPIN007	Acclaim F Lens retaining ring
39	ACCLEN001	Fresnel 650 4.5" Lens
40	ACCCAS002	Acclaim Front casting
41	ACCELE002	Lamp base G.Y.9.5
42		Terminal spade type Female
43		Terminal Insulator
44	ACCLOOM003	3 core .75mm silicon cable
45		Screw 6 x 1/4 s/tapper
46		SD550 Insulating Sleeve
47		Connector Insulation Box
48		Screw M4 x 12 PP
49		Terminal spade type Male
50	COMPLA004	Acclaim Trumpet Cable Gland
51		Screw M3 x 8 Thread Forming
52		Screw M3.5 x 10 Thread Forming

SELECON Luminaire detail Sheet

Product: Acclaim Fresnel
 Product code: 12 ACFMS
 Drawing Number: AC01
 Drawing Date: 11/8/2004

SELECON
 26 Putiki St, Auckland, New Zealand
 Ph: 64-9-360 1718 Fax: 64-9-360 1719
 e-mail: selecon@seleconlight.com
 Internet: www.seleconlight.com

To order spare parts, please quote the Drawing Number and the Part Number